

# RRC13

Chipping Hammer


Printed Matter No. 9836 9785 00

2010-08-01

## Product Instructions

|        |              |
|--------|--------------|
| RRC13  | 8425 0101 30 |
| RRC13B | 8425 0101 33 |
| RRC13N | 8425 0101 36 |



|   |   |
|---|---|
|  | <b>⚠ WARNING</b>  |
|   | <b>Read all safety warnings and instructions</b><br><i>Failure to follow the safety warnings and instructions may result in electric shock, fire and/or serious injury.</i><br><b>Save all warnings and instructions for future reference</b> |

**Atlas Copco**

## Table of Contents

|    |                                   |     |
|----|-----------------------------------|-----|
| EN | Product Instructions.....         | 3   |
| FR | Instructions sur le produit ..... | 14  |
| DE | Produktanweisungen.....           | 26  |
| ES | Instrucciones del producto .....  | 38  |
| PT | Instruções do produto .....       | 50  |
| IT | Istruzioni sul prodotto.....      | 62  |
| NL | Productinstructies .....          | 74  |
| DA | Produktanvisninger.....           | 86  |
| NO | Produktanvisninger.....           | 97  |
| FI | Tuoteohjeet.....                  | 108 |
| SV | Produktanvisningar.....           | 119 |
| RU | Инструкции по изделию .....       | 130 |
| PL | Instrukcje produktu .....         | 142 |
| HU | Termékutasítások.....             | 154 |

# Safety and operating instructions

## Safety instructions

### Important information for safer use of percussive tools

This manual follows the EC Machines Directive (2006/42/EC) regarding operator's instructions and relevant parts of standards from CEN TC 255 "Hand-held power driven non-electric tools - Safety" These instructions concern operation, handling of machine, inserted tool and equipments as well as maintenance.

Neglect to follow these long established recommendations may cause serious hazards.

Make sure that the operator has fully understood the following recommendations and has full access to them.



pay strict attention to following measures the operator has to take in order to avoid risks of misuse or accident

### Installation

Follow the instructions for air preparation given in the written instructions supplied with the machine.

When lubrication is recommended - use recommended lubricants only.

Check hose size and air pressure.

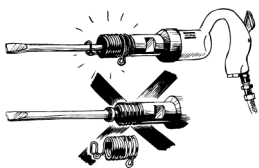
Avoid the risk of whipping hose - regularly check hose, hose fittings and condition of clamps.

Check that the exhaust air is directed to avoid blowing dust or air from the work piece onto the operator or other persons. Arrange for barriers if possible.

When necessary, use exhaust hose and arrange for dust collection.

### Avoid accidents when using the machine

#### **1 The chisel, die or punch may fall out or may be shot out of the tool accidentally causing serious injury**



#### **To prevent injury from a flying chisel:**

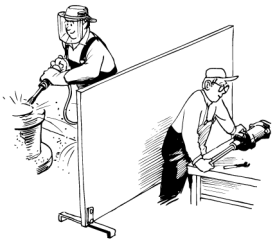
- always use a retainer
- inspect the retainer for wear or damage regularly



and:

- be aware that the chisel may break during operation due to fatigue
- never trigger the machine unless held against a work piece
- remove chisel, die or punch from machine when work is over
- before changing accessories, chisel or die - disconnect the machine from the air supply
- release the start and stop device in case of interruption of energy supply
- when finishing a job, disconnect the machine from its air supply

## ***2 Chips and sparks shall be prevented from striking an eye or another worker***



**To prevent vision loss:**

- always wear eye protection
- isolate work of this kind by using barriers between work stations
- do not use the machine for other purposes than it is intended for

## ***3 Prevent body injury by using:***

- gloves
- protective shoes
- helmet
- always wear eye protection

## ***4 Explosive atmosphere must not be ignited***



**To prevent injury and property loss from fires:**

- use other technique
- use accessories of non sparking material (e.g. needle attachment of Beryllium copper for a needle scaler)

## ***5 Electric chock may be fatal***

- avoid chiselling into electric wiring hidden inside walls etc.

## Long term risks when using the machine

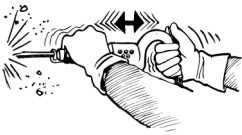
### 6 Always use ear protection



To prevent gradual loss of hearing due to exposure to high noise levels:

- wear ear protection

### 7 Vibration may be harmful to hands and arms



- use vibration dampened tools if available
- reduce the total time of exposure to vibrations, particularly if the operator has to guide the chisel by hand

### 8 Dust generated during operation may be harmful

- use spot suction or a breathing apparatus

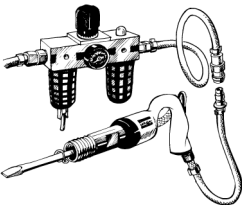
## Proper use and maintenance

### 9 Do not perform idle blows with a hammer



- they will cause high internal stresses and shorten the life of the tool
- note the risk of shooting out the chisel, die or punch if the retainer is not in order

### 10 Quick coupling



- if a quick coupling is used on a percussive tool, it shall be separated from the tool by a whip hose (length 0.5 m)

### 11 Maintenance

Good service life and safe function is offered if the instructions for lubrication, maintenance and overhaul supplied with the machine are followed.

**Use genuine Atlas Copco replacement kits and parts only.**

## Warning

Make sure you are familiar with the operating instructions before you use this machine.

This machine, its attachments and accessories must only be used for the purpose for which they were designed:

- General chipping and scaling work, fettling of castings in foundries, hole making and light demolition in construction and building industry (**not for nailing** without proper attachments).  
**RRC 13N** – for removing welding slag, rust and paint from steel structures.

For product liability and safety reasons any modification to the machine, its attachments or accessories must be agreed in advance with an authorized technical representative of the manufacturer.

## RRC 13B

- When operating the tool to blow the workpiece clean – direct tool exhaust from operator and co-workers.

## General information

### EC DECLARATION OF CONFORMITY

We, **Atlas Copco Industrial Technique AB**, S-105 23 STOCKHOLM, SWEDEN declare that the product (with name, type and serial number, see front page) is in conformity with the following Directive(s):

**2006/42/EC**

Harmonised standards applied:

**ISO 11148-4**

Technical file available from:

Quality Manager, Atlas Copco Industrial Technique, Stockholm, Sweden

Stockholm, 1 July 2013

**Tobias Hahn, Managing Director**

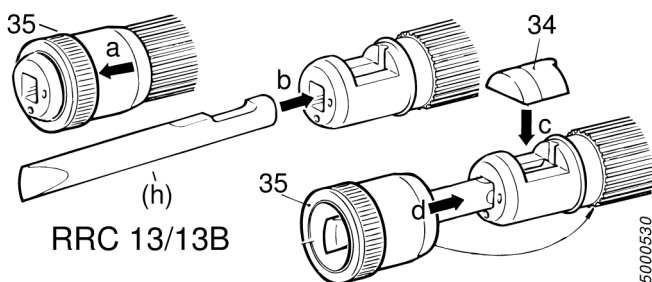


Signature of issuer

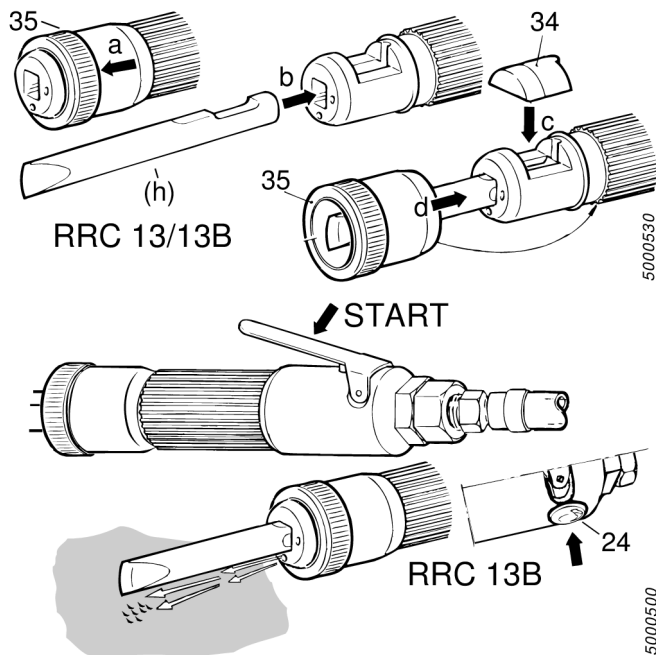
## Installation

### Installation

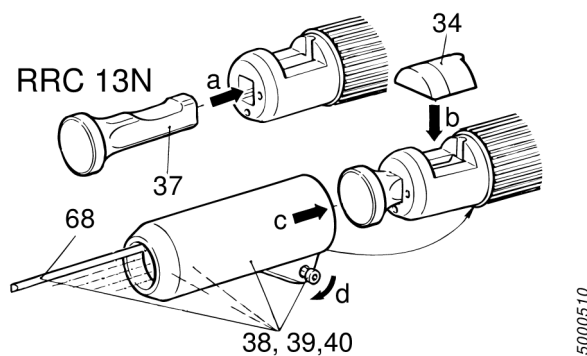
#### RRC 13



- Install chisel (h), see figure.

**RRC 13B**

- Install chisel (h), see figure.

**RRC 13N**

- Install needle set (j; 68), see figure.  
Always use complete sets of needles of the same length to ensure the full working capacity of the machine is reached.

**Air quality**

- For optimum performance and maximum machine life we recommend the use of compressed air with a maximum dew point of +10°C. We also recommend the installation of an Atlas Copco refrigeration-type air dryer.
- Use a separate air filter of type Atlas Copco FIL. This filter removes solid particles larger than 15 microns and also removes more than 90 % of liquid water. The filter must be installed as close as possible to the machine/equipment and prior to any other air preparation unit such as REG or DIM (please see Air Line Accessories in our main catalogue). Blow out the hose before connecting.

**Models which need air lubrication:**

- The compressed air must contain a small quantity of oil.  
We strongly recommend that you install an Atlas Copco oil-fog lubricator (DIM). This should be set according to air consumption by the air line tool according to the following formula:

**L** = Air consumption (litre/s).

(May be found in our sales literature).

**D** = Number of drops per min (1 drop = 15 mm<sup>3</sup>)

**$L * 0.2 = D$**

this applies to the use of long work cycle air line tools. A single point lubricator type Atlas Copco Dosol can also be used for tools with short running cycles.

Information about Dosol settings may be found under Air Line Accessories in our main catalogue.

**Lubrication-free models:**

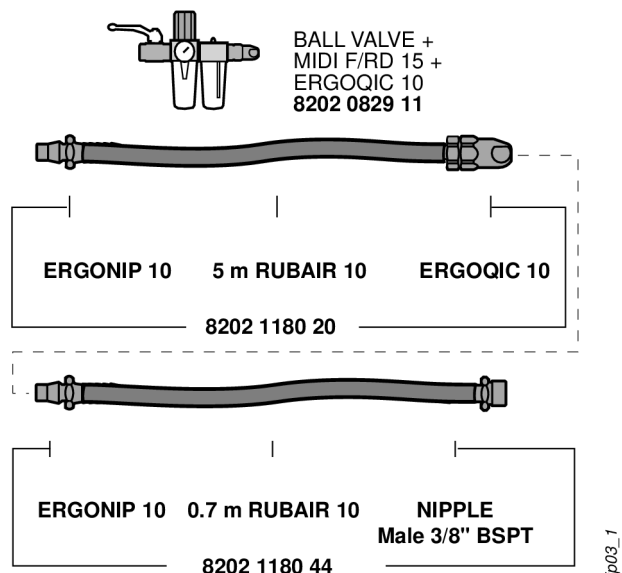
- In the case of lubrication-free tools it is up to the customer to decide on the peripheral equipment to be used. However, it is no disadvantage if the compressed air contains a small quantity of oil e.g. supplied from a fog lubricator (DIM) or Dosol system. This does not apply to turbine tools, which should be kept oil free.

**Compressed air connection**

- The machine is designed for a working pressure of 6–7 bar = 600–700 kPa = 87–102 psi.
- Blow out the hose before connecting.

**Installation proposal**

Choosing the correct couplings, hose and clamps can be a troublesome digging into details. To save your time and to ensure correct capacity of the airline installation, from the tapping point to the tool, we offer you an installation proposal.



For more information please read, Atlas Copco Industrial Power Tools catalogue Ordering No. 9837 3000 01.



## Maintenance

### Lubrication

The tool should be lubricated with about 10 drops of oil once per shift. The oil can be dropped either into the air hose or straight through the adapter (16). When the tool is in continuous service, installation of an Atlas Copco oil-fog lubricator in the compressed air line is recommended.

Use lubricants of good quality. The oils listed in the lubrication table are examples of lubricants that can be recommended.

### Grease guide

| Brand    | Grease               | Air lubrication |
|----------|----------------------|-----------------|
| BP       | Energrease LS-EP2    | Energol E46     |
| Esso     | Beacon EP2           | Arox EP46       |
| Q8       | Rembrandt EP2        | Chopin 46       |
| Mobil    | Mobilegrease XHP 222 | Almo Oil 525    |
| Shell    | Alvania EP2          | Torcula 32      |
| Texaco   | Multifak EP2         | Aries 32        |
| Molycote | BR2 Plus             |                 |

### Overhaul

If the tool is used every day, it should be overhauled and cleaned once every six months.

The filter in the adapter (16) should be cleaned frequently to prevent choking with resultant decrease in capacity.

### Useful information



Log in to Atlas Copco [www.atlascopco.com](http://www.atlascopco.com)

You can find information concerning our products, accessories, spare parts and published matters on our website.

### Ergonomic guidelines

Consider your workstation as you read through this list of general ergonomic guidelines and see if you can identify areas for improvement in posture, component placement, or work environment.

- Take frequent breaks and change work positions frequently.
- Adapt the workstation area to your needs and the work task.
  - Adjust for convenient reach range by determining where parts or tools should be located to avoid static load.
  - Use workstation equipment such as tables and chairs appropriate for the work task.
- Avoid work positions above shoulder level or with static holding during assembly operations.

- When working above shoulder level, reduce the load on the static muscles by reducing the weight of the tool, using for example torque arms, hose reels or weight balancers. You can also reduce the load on the static muscles by holding the tool close to the body.
- Make sure to take frequent breaks.
- Avoid extreme arm or wrist postures, particularly for operations requiring a degree of force.
- Adjust for convenient field of vision by minimizing movement of the eyes and head during the work task.
- Use the appropriate lighting for the work task.
- Select the appropriate tool for the work task.
- Use ear protection equipment in noisy environments.
- Use high-quality inserted tools or consumables to minimize exposure to excessive levels of vibration.
- Minimize exposure to reaction forces.
  - When cutting:

A cut-off wheel can get stuck if the wheel is either bent or if it is not guided properly. Make sure to use the correct flanges for cut-off wheels and avoid bending the wheel during cut-off operation.
  - When drilling:

The drill might stall when the drill bit breaks through. Make sure you use support handles if the stall torque is too high. The safety standard ISO11148 part 3 recommends using something to absorb the reaction torque above 10 Nm for pistol grip tools and 4 Nm for straight tools.
  - When using direct-driven screw or nutrunners:

Reaction forces depend on tool setting and joint characteristics. The ability to bear reaction forces depends on the operator's strength and posture. Adapt the torque setting to the operator's strength and posture and use a torque arm or reaction bar if the torque is too high.
- Use dust extraction system or mouth protection mask in dusty environments.

## Country of origin

Please refer to the information on the product label.

## Spare parts

Parts without ordering number are not delivered separately for technical reasons.

The use of other than genuine Atlas Copco replacement parts may result in decreased tool performance and increased maintenance and may, at the company option, invalidate all warranties.

## Warranty

Contact the Atlas Copco sales representative within your area to claim a product. Warranty will only be approved if the product has been installed, operated and overhauled according to the Operating Instructions.

Please also see the delivery conditions applied by the local Atlas Copco company.

## ServAid

ServAid is a utility for providing updated product information concerning:

- Safety instructions
- Installation, Operation and Service instructions
- Exploded views

ServAid facilitates the ordering process of spare parts, service tools and accessories for the product of your choice. It is continuously updated with information of new and redesigned products.

You can use ServAid to present content in a specific language, provided that translations are available, and to display information about obsolete products. ServAid offers an advanced search functionality of our entire product range.

ServAid is available on DVD and on the web:

<http://servaidweb.atlascopco.com>

For further information contact your Atlas Copco sales representative or e-mail us at:

[servaid.support@se.atlascopco.com](mailto:servaid.support@se.atlascopco.com)

## Safety Data Sheets MSDS/SDS

The safety data sheets describes chemical products sold by Atlas Copco.

For more information, consult the website

<http://www.atlascopco.com/>.

Choose **Products - Safety Data Sheets**, and follow the instructions on the page.

## Technical data

### Technical data

#### Noise and vibration emission

| Noise (in accordance with ISO15744) | dBA |
|-------------------------------------|-----|
| Sound pressure level                | 91  |
| Sound power level                   | 102 |
| Uncertainty                         | 3   |

| Vibration total value, valid from 2010<br>(3-axes value in accordance with ISO28927-9) | m/s <sup>2</sup>            |
|--|-----------------------------|
| Vibration value  | 11.5(13) 11.5(13B) 8.1(13N) |
| Uncertainty  | 2.7(13) 2.7(13B) 1.8(13N)   |

#### Noise and Vibration Declaration Statement

These declared values were obtained by laboratory type testing in accordance with the stated standards and are suitable for comparison with the declared values of other tools tested in accordance with the same standards. These declared values are not adequate for use in risk assessments and values measured in individual work places may be higher. The actual exposure values and risk of harm experienced by an individual user are unique and depend upon the way the user works, the workpiece and the workstation design, as well upon the exposure time and the physical condition of the user.

We, **Atlas Copco Industrial Technique AB**, cannot be held liable for the consequences of using the declared values, instead of values reflecting the actual exposure, in an individual risk assessment in a work place situation over which we have no control.

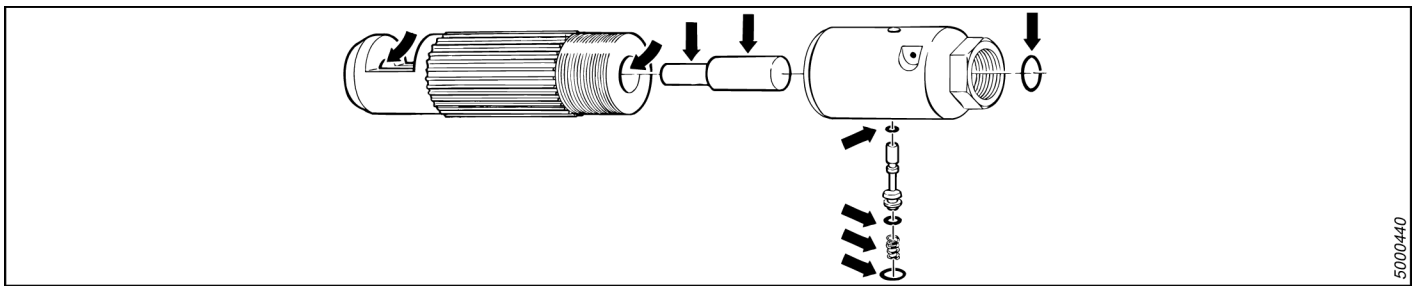
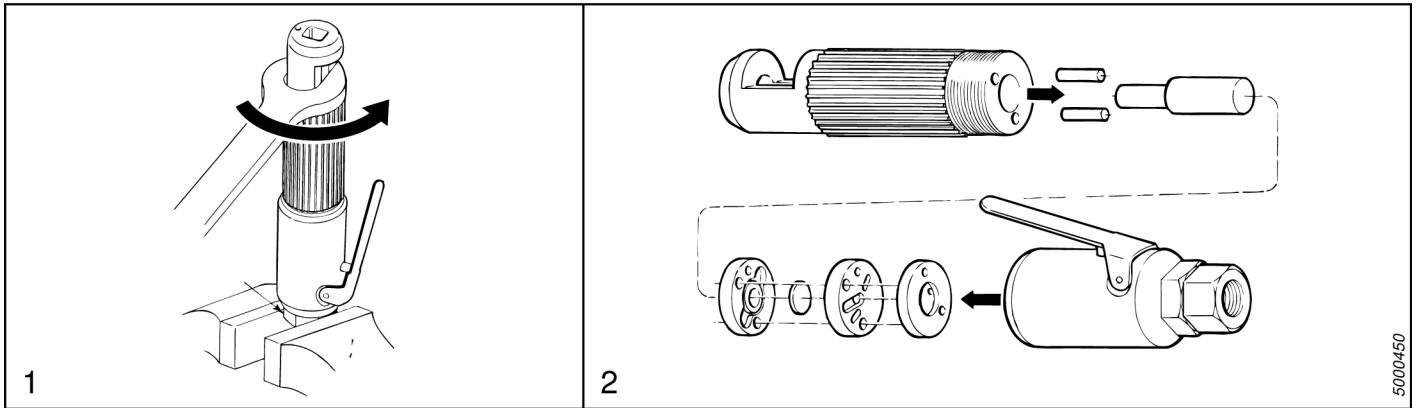
This tool may cause hand-arm vibration syndrome if its use is not adequately managed. An EU guide to managing hand-arm vibration can be found by accessing <http://www.pneurop.eu/index.php> and selecting 'Tools' then 'Legislation'.

We recommend a programme of health surveillance to detect early symptoms which may relate to noise or vibration exposure, so that management procedures can be modified to help prevent future impairment.

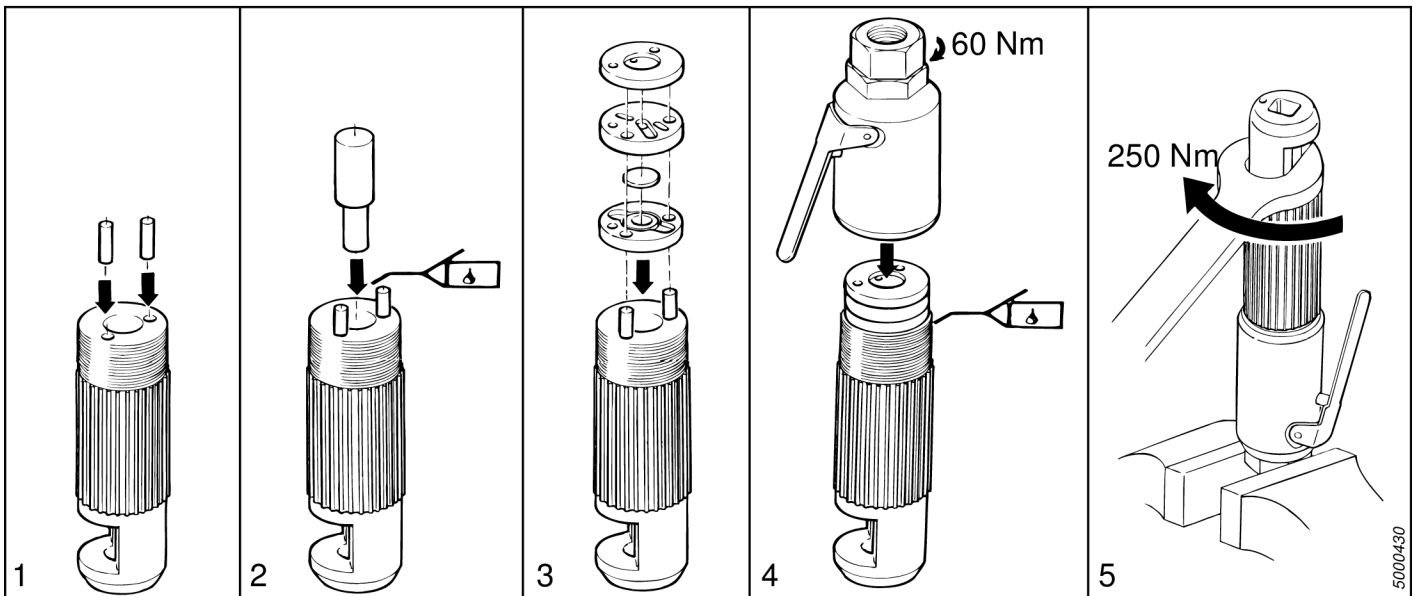
# Service instructions

## Service instructions

### Dismantling



### Inspection



## Consignes d'utilisation et de sécurité

### Consignes de sécurité

#### Conseils d'utilisation en toute sécurité des outils à percussion

Le présent manuel est en conformité avec les directives de la CE sur les Machines (2006/42/CE) concernant les instructions d'utilisation, ainsi que les chapitres relatifs aux normes de standardisation du CEN TC 255 "Sécurité des outils portatifs pneumatiques". Ces instructions traitent de l'utilisation et du maniement des machines, des équipements et accessoires ainsi que de la maintenance. Le non-respect de ces consignes de sécurité peut entraîner de sérieux risques.

Assurez-vous que l'utilisateur a pleinement pris connaissance des instructions suivantes et qu'il en a un libre accès.

△

Soyez très attentif aux mesures suivantes que l'utilisateur doit prendre dans le but d'éviter tout risque de mauvaise utilisation ou d'accident

#### Installation

Suivre les instructions concernant le traitement de l'air du manuel livré avec la machine. Lorsqu'une lubrification est recommandée, n'utilisez que le type de lubrifiant recommandé.

Contrôler le diamètre des flexibles et la pression de l'air. Éviter le risque de flexibles fouettants l'air. Contrôler régulièrement les flexibles, la fixation des flexibles et l'état des colliers de serrage.

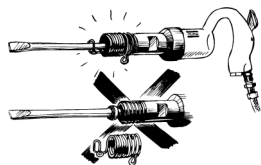
Assurez-vous que l'échappement d'air est dirigé de manière à éviter de souffler la poussière de la pièce usinée sur l'utilisateur ou d'autres personnes.

Prévoir si possible des écrans protecteurs.

Lorsque cela est nécessaire, utiliser le flexible d'échappement d'air et mettre en place un système d'aspiration des poussières.

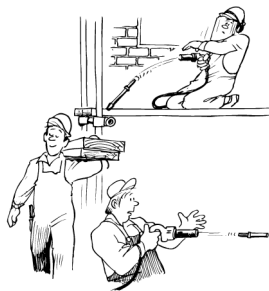
#### Prevention des accidents

**1 Les burins, poinçons ou autres accessoires peuvent tomber ou être éjectés de l'outil fortuitement et provoquer des blessures graves**



**Pour éviter les accidents causés par la chute d'un burin :**

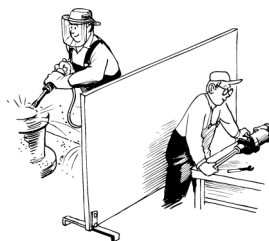
- Utilisez toujours une retenue.
- Vérifiez régulièrement si la retenue n'est pas usée ou endommagée.



et

- n'oubliez pas que toute fatigue peut entraîner une rupture du burin pendant son utilisation.
- Ne mettez jamais l'outil en marche avant de le maintenir contre une surface à travailler.
- Quand le travail est terminé, retirez le burin, le poinçon ou tout autre accessoire de l'outil.
- Avant de changer de burin, de poinçon ou de tout autre accessoire, débranchez la conduite d'air de l'outil.
- Libérez le dispositif marche/arrêt en cas d'interruption de l'alimentation en énergie.
- Une fois le travail terminé, débranchez la conduite d'air de l'outil.

## **2 Protégez vos yeux ainsi que ceux des autres travailleurs des éclats et des étincelles.**



### **Pour éviter de perdre la vue:**

- Portez toujours des lunettes de protection.
- Séparez les postes de travail par des barrières de protection.
- Utilisez exclusivement l'outil pour les travaux pour lesquels il est conçu.

### **3 Pour éviter les blessures corporelles, portez :**

- des gants
- des bottines de protection
- un casque
- Portez toujours des lunettes de protection.

#### **4 N'utilisez jamais l'outil dans une atmosphère explosive**



#### **Pour éviter les accidents et les dégâts causés par les incendies :**

- Utilisez une technique de remplacement.
- Utilisez des accessoires constitués de matériaux qui ne produisent pas d'étincelles (notamment des aiguilles en cuivre au Beryllium pour le marteau à décalamiter).

#### **5 Les électrocutions peuvent être mortelles.**

- Evitez d'utiliser le burin dans des parois susceptibles de dissimuler des fils électriques.

#### **Risques liés à l'utilisation prolongée de l'outil**

#### **6 Portez toujours un casque pour protéger vos oreilles.**



#### **Pour éviter toute perte progressive de l'ouïe due à une exposition prolongée à des niveaux de bruit élevés,**

- portez un casque de protection.

#### **7 Les vibrations peuvent entraîner des troubles au niveau des bras et des mains.**



- Dans la mesure du possible, utilisez des outils équipés d'un dispositif d'amortissement des vibrations.
- Réduisez la durée totale d'exposition aux vibrations, en particulier si vous devez guider le burin manuellement.

#### **8 Les poussières peuvent être nocives.**

- Utilisez un dispositif d'aspiration ou un inhalateur.



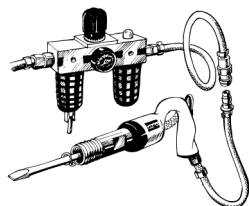
## Utilisation et maintenance adéquates

### 9 N'utilisez jamais un marteau à vide,



- car vous risqueriez de créer des contraintes intérieures importantes susceptibles de réduire la durée de vie de l'outil.
- N'oubliez pas que le burin, le poinçon ou tout autre accessoire risque d'être éjecté de l'outil si la retenue n'est pas correctement en place.

### 10 Raccords rapides



- Quand vous utilisez un raccord rapide sur un outil à percussion, il doit être séparé de l'outil par un flexible de 0,5 m.

### 11 Maintenance

Une bonne durée de vie et un bon fonctionnement sont assurés si les instructions concernant la lubrification, la maintenance et l'entretien de la machine sont respectées.

**N'utilisez que des kits ou pièces de rechange certifiés Atlas Copco.**

### Attention

Familiarisez-vous avec les instructions d'emploi avant de mettre la machine en service.

Cette machine et ses accessoires sont strictement réservés aux utilisations prévues par son fabricant:

- Travaux généraux de burinage et de décalaminage, nettoyage des pièces moulées dans les fonderies, perforation d'orifices et démolition légère dans la construction et l'industrie du bâtiment. (**Ne convient pas pour le clouage sans les équipements adéquats**).

**RRC 13N** – pour ébarber les soudures et gratter la rouille que pour enlever la peinture sur les charpentes métalliques.

Pour des raisons de responsabilité et de sécurité, toute modification de la machine ou de ses accessoires doit être soumise à l'accord préalable du représentant technique autorisé du fabricant.

### RRC 13B

- Lorsque l'outil est utilisé comme soufflette pour nettoyer une pièce, tenir éloigné de l'utilisateur et de ses collègues l'air qui s'en échappe.

## Informations générales

### DÉCLARATION DE CONFORMITÉ CE

Nous, **Atlas Copco Industrial Technique AB**, S-105 23 STOCKHOLM, SUÈDE, déclarons que le produit (dont le nom, le type et le numéro de série figurent en première page) est en conformité avec la ou les directives suivantes : **2006/42/EC**

Normes harmonisées appliquées :  
**ISO 11148-4**

Dossier technique disponible auprès de :  
Directeur de la qualité, Atlas Copco Industrial Technique, Stockholm, Suède.

Fait à Stockholm, le 1er juillet 2013

**Tobias Hahn, Directeur général**

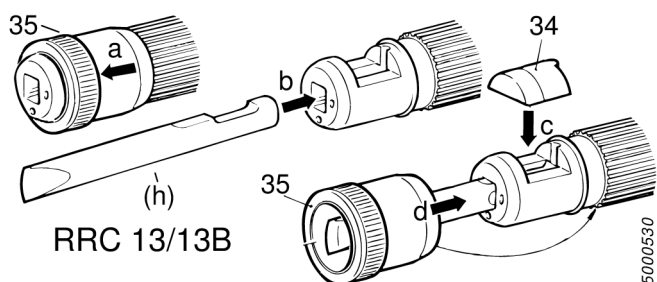


Signature du déclarant

## Installation

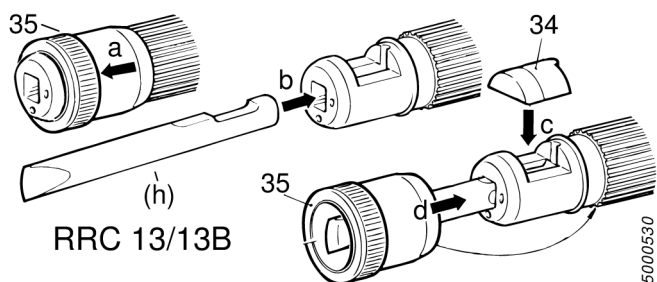
### Installation

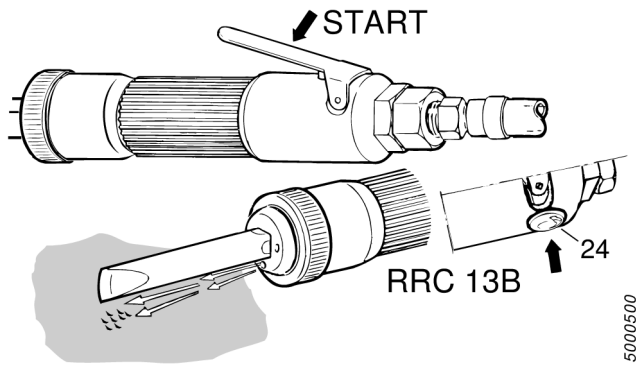
#### RRC 13



- Installez le burin (h), voir figure.

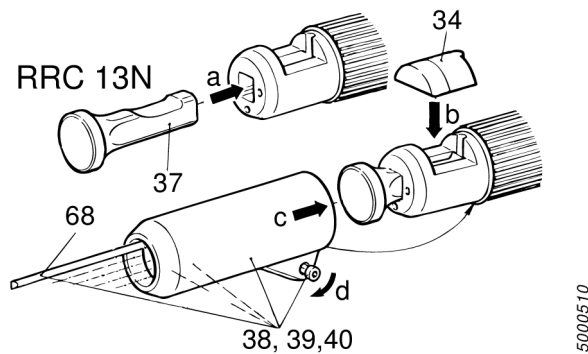
#### RRC 13B





- Installez le burin (h), voir figure.

### RRC 13N



- Installez le jeu d'aiguilles (j; 68), voir figure.  
Utilisez toujours des jeux d'aiguilles complets pour que la machine puisse tourner à pleine capacité.

### Qualité de l'air

- Pour assurer à la machine des performances optimums et une durée de vie maximum, nous recommandons d'utiliser de l'air comprimé avec un point de rosée maximum de +10°C. Nous recommandons également d'installer un déshydrateur d'air Atlas Copco à réfrigération.
- Utilisez un filtre à air indépendant de type Atlas Copco FIL. Ce filtre retient les particules solides supérieures à 15 microns et plus de 90 % d'eau sous forme liquide. Il doit être placé aussi prêt que possible de la machine ou de l'équipement et avant toute autre unité de préparation de l'air telles que des unités REG ou DIM (voir "Accessoires de distribution d'air" dans notre catalogue général). Mettez le flexible à l'air libre avant de le raccorder.

### Modèles nécessitant une lubrification de l'air :

- L'air comprimé doit contenir une petite quantité d'huile.  
Nous recommandons fortement l'installation d'un graisseur à brouillard d'huile Atlas Copco (DIM). Celui-ci devra être réglé en fonction de la consommation d'air de l'outil pneumatique conformément à la formule suivante :

$L = \text{Consommation d'air (litre/s)}$ .

(voir notre documentation commerciale).

$D = \text{Nombre de gouttes par minute (1 goutte = 15 mm}^3\text{)}$

$L * 0.2 = D$

cette formule s'appliquant aux outils pneumatiques à cycle de fonctionnement long. Avec des outils à cycle de fonctionnement court, vous pouvez également utiliser un lubrificateur à un seul point type Atlas Copco Dosol. Vous trouverez des informations sur le réglage du Dosol dans notre catalogue général, sous le chapitre "Accessoires de distribution d'air".

### Modèles sans lubrification :

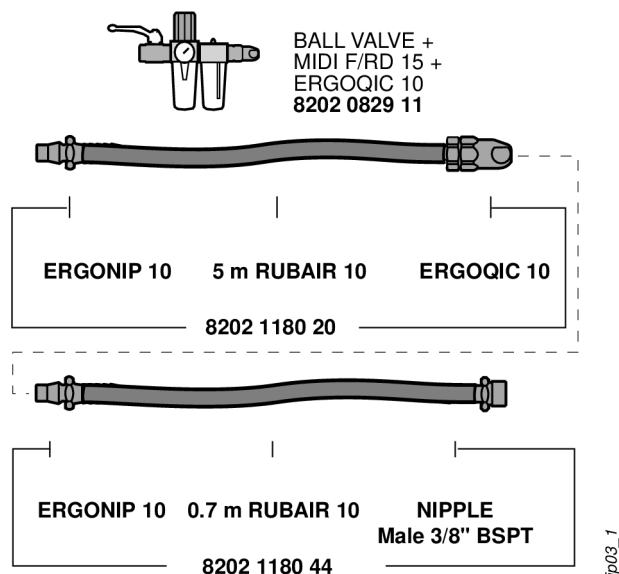
- Pour les outils n'exigeant pas de lubrification, le client a le choix de l'équipement périphérique à utiliser. Néanmoins, il n'y a aucun inconvénient à ce que l'air comprimé contienne une petite quantité d'huile fournie par un équipement tel qu'un graisseur à brouillard d'huile (DIM) ou un lubrificateur Dosol.
- Ceci ne concerne pas les outils à turbine qui doivent rester exempts d'huile.

### Raccordement de l'air comprimé

- L'outil est conçu pour une pression d'utilisation de 6 à 7 bar = 600 – 700 kPa = 6 – 7 kg/cm<sup>2</sup>.
- Soufflez de l'air dans le flexible avant de le connecter.

### Solution d'installation proposée

Choisir le raccord adapté, le tuyau et les colliers peut devenir un sérieux soucis dans le détail. Pour économiser votre temps et garantir une capacité de débit de votre installation d'air comprimé, de la ligne principale jusqu'à l'outil, nous vous proposons une installation adaptée à chaque outil.



Pour plus d'information, veuillez vous reporter au catalogue Atlas Copco Industrial Power Tools réf. 9837 3000 01.

## Entretien

### Lubrification

La machine devra être lubrifiée avec de l'huile une fois par période de travail, avec une quantité approximative de 10 gouttes. L'huile sera introduite dans le tuyau d'air comprimé ou dans l'adaptateur (16). En marche continue, il est recommandé d'installer un diffuseur automatique d'huile Atlas Copco.

Utiliser des lubrifiants de bonne qualité, tels que ceux que nous recommandons dans le tableau de lubrification.

## Guide de sélection des graisses

| Marque   | Graisse              | Lubrification de l'air |
|----------|----------------------|------------------------|
| BP       | Energrease LS-EP2    | Energol E46            |
| Esso     | Beacon EP2           | Arox EP46              |
| Q8       | Rembrandt EP2        | Chopin 46              |
| Mobil    | Mobilegrease XHP 222 | Almo Oil 525           |
| Shell    | Alvania EP2          | Torcula 32             |
| Texaco   | Multifak EP2         | Aries 32               |
| Molycote | BR2 Plus             |                        |

## Révision

Si la machine fonctionne journallement, il devra être révisé et nettoyé tous les six mois.

Le filtre de l'adaptateur (16) doit être nettoyé fréquemment pour ne pas restreindre le débit.

## Informations utiles



Visitez le site d'Atlas Copco : [www.atlascopco.com](http://www.atlascopco.com)

Sur notre site Web, vous trouverez des informations concernant nos produits, accessoires et pièces de rechange ainsi que la documentation qui s'y rapporte.

## Directives d'ergonomie

Étudiez votre poste de travail en lisant cette liste de directives générales d'ergonomie afin de voir si vous pouvez détecter des possibilités d'amélioration quant à la posture, au placement des composants ou à l'environnement de travail.

- Faire des pauses fréquentes et changer fréquemment de position de travail.
- Adapter le poste de travail à vos besoins et à la tâche à réaliser.
  - S'organiser pour avoir un rayon d'action adapté en déterminant l'endroit où les pièces ou outils devraient être positionnés pour éviter les efforts statiques.
  - Utiliser des équipements de poste de travail tels que des tables et des chaises adaptés à la tâche à réaliser.
- Éviter les positions de travail au-dessus de l'épaule ou avec un maintien statique pendant les opérations d'assemblage.
  - Pour travailler au-dessus de l'épaule, réduire la charge sur les muscles statiques en réduisant le poids de l'outil, à l'aide par exemple de bras de réaction, enrouleurs de flexible ou équilibreurs. On pourra également réduire la charge sur les muscles statiques en tenant l'outil près du corps.
  - Veiller à faire des pauses fréquentes.
  - Éviter les postures extrêmes du bras ou du poignet, en particulier pour les opérations nécessitant un certain effort.

- S'organiser pour avoir un champ de vision adapté en limitant le mouvement des yeux et de la tête pendant l'exécution de la tâche.
- Utiliser un éclairage adapté à la tâche à réaliser.
- Sélectionner l'outil adapté à la tâche à réaliser.
- Utiliser des équipements de protection auditive dans les environnements bruyants.
- Utiliser des outils insérés ou des consommables de grande qualité pour limiter au strict minimum l'exposition à des niveaux excessifs de vibrations.
- Limiter l'exposition aux forces de réaction.
  - Pendant le tronçonnage :

Un disque à tronçonner peut se coincer s'il est fléchi ou s'il n'est pas correctement guidé. Veiller à utiliser les flasques voulus pour les disques à tronçonner et éviter de fléchir le disque pendant le tronçonnage.
  - Pendant le perçage :

La perceuse peut caler lorsque le foret débouche. Veiller à utiliser des poignées latérales si le couple de calage est trop élevé. La norme de sécurité ISO11148 partie 3 recommande d'utiliser un moyen d'absorber le couple de réaction au-dessus de 10 Nm pour les outils à poignée révoluer et 4 Nm pour les outils droits.
  - Lors de l'utilisation de visseuses ou boulonneuses à entraînement direct :

Les forces de réaction dépendent du réglage de l'outil et des caractéristiques de l'assemblage. La capacité à supporter les forces de réaction dépend de la force de l'opérateur et de sa posture. Adapter le réglage de couple à la force de l'opérateur et à sa posture et utiliser un bras ou un toc de réaction si le couple est trop élevé.
- Utiliser un système d'extraction des poussières ou un masque de protection de la bouche dans les environnements poussiéreux.

## Pays d'origine

Prière de se reporter aux informations figurant sur l'étiquette du produit.

## Pièces de rechange

Pour des raisons techniques, les pièces dépourvues de numéro de référence ainsi que celles fournies dans les kits de service ne sont pas disponibles séparément.

L'emploi de pièces autres que des pièces de rechange Atlas Copco d'origine peut altérer les performances et augmenter les entretiens, voire même annuler toutes les garanties, selon l'appréciation de la société.

## Garantie

Pour toute réclamation concernant un produit, veuillez prendre contact avec votre représentant Atlas Copco. La prise en charge dans le cadre de la garantie n'est acceptée que si le produit a été installé, utilisé et révisé conformément aux consignes d'utilisation.

Veillez également vous référer aux conditions de livraison appliquées par la société locale Atlas Copco.

## ServAid

ServAid est un utilitaire qui permet de se procurer des informations produits actualisées portant sur les thèmes suivants :

- Consignes de sécurité
- Instructions d'installation, d'exploitation et d'entretien
- Vues éclatées

ServAid facilite le processus de commande de pièces détachées, d'outils d'entretien et d'accessoires pour le produit de votre choix. Il est en permanence mis à jour avec des informations concernant les nouveautés et les produits actualisés.

Vous pouvez utiliser ServAid pour présenter un contenu dans une langue spécifique, sous réserve qu'une traduction soit disponible, et pour afficher des renseignements sur des produits obsolètes. ServAid offre une fonctionnalité de recherche évoluée sur l'intégralité de notre gamme de produits.

ServAid est disponible sur DVD et sur le Web :

<http://servaidweb.atlascopco.com>

Pour en savoir plus, prenez contact avec votre représentant commercial Atlas Copco ou envoyez-nous un courriel à l'adresse suivante :

[servaid.support@se.atlascopco.com](mailto:servaid.support@se.atlascopco.com)

## Fiches de données de sécurité FDS

Les fiches de données de sécurité décrivent les produits chimiques vendus par Atlas Copco.

Pour en savoir plus, consulter le site web

<http://www.atlascopco.com/>.

Choisir **Produits - Fiches de données de sécurité** et suivre les instructions données sur cette page.

## Caractéristiques techniques

### Caractéristiques techniques

#### Niveau de bruit et émission de vibrations

| Bruit (en accord avec ISO15744) | dBA |
|---------------------------------|-----|
| Niveau de pression acoustique   | 91  |
| Niveau de puissance acoustique  | 102 |
| Incertitude                     | 3   |

#### Valeur totale des vibrations, valable à compter de 2010

(valeur pour les 3 axes en accord avec ISO28927-9) m/s<sup>2</sup>

|                       |                             |
|-----------------------|-----------------------------|
| Valeur des vibrations | 11.5(13) 11.5(13B) 8.1(13N) |
| Incertitude           | 2.7(13) 2.7(13B) 1.8(13N)   |

#### Déclaration relative au bruit et aux vibrations

Les valeurs déclarées ont été obtenues lors d'essais de type réalisés en laboratoire, conformément aux standards établis et peuvent faire l'objet de comparaisons avec les valeurs déclarées d'autres outils testés selon les mêmes standards. Les valeurs déclarées ne peuvent être utilisées dans le cadre d'une estimation des risques et les valeurs relevées sur des postes de travail individuels peuvent s'avérer supérieures. Les valeurs d'exposition réelles et le risque de nuisance pour un utilisateur individuel sont uniques et dépendent de la manière dont l'utilisateur travaille, de la pièce usinée, de l'organisation du poste de travail en lui-même ; ils dépendent également de la durée d'exposition et de la condition physique de l'utilisateur.

Notre société, **Atlas Copco Industrial Technique AB**, ne peut en aucun cas être tenue responsable des conséquences de l'utilisation des valeurs déclarées à la place des valeurs reflétant l'exposition réelle dans l'évaluation des risques individuels dans un lieu de travail sur lequel nous n'avons aucun contrôle.

Cet outil peut entraîner le syndrome des vibrations main-bras s'il n'est pas utilisé de manière adéquate. Un guide européen de la gestion des vibrations mains-bras est accessible sur <http://www.pneurop.eu/index.php> en sélectionnant 'Tools' puis 'Legislation'.

Nous recommandons la mise en place d'un programme de surveillance médicale afin de détecter les premiers symptômes qui pourraient être dus à une exposition aux vibrations ; les procédures de gestion pourraient alors être modifiées pour éviter une future déficience.





# Sicherheit und Bedienungsanleitung

## Sicherheitshinweise

### Wichtige information für die sichere Benutzung schlagender Werkzeuge

Dieser Anleitung liegt die EU- Maschinenverordnung (2006/42/EG) für Bedienungsanleitungen sowie die entsprechenden Teile der Vorschriften vom CEN TC 255 "(Nicht elektrische) Handwerkzeuge mit Motorantrieb Ä Sicherheitsanweisungen" zugrunde. Diese Anweisungen umfassen Bedienung, Handhabung der Maschine einschließlich der Aufsteckwerkzeuge und Zubehörteile sowie Wartung. Eine Mißachtung dieser bewährten Sicherheitsempfehlungen kann ernsthafte Gefahren verursachen.

Sicherstellen, daß der Bediener die folgenden Empfehlungen wirklich verstanden und jederzeit zur Hand hat.



Nachstehende Maßnahmen sind vom Bediener unbedingt zu ergreifen, um Falschbedienung oder Unfälle zu vermeiden.

### Installation

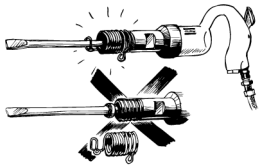
Die Anweisungen hinsichtlich der Qualität der Druckluft befolgen, die in der zum Gerät mitgelieferten Bedienungsanleitung enthalten sind. Wird Schmierung empfohlen Ä nur die angegebenen Schmiermittel verwenden.

Schlauchdurchmesser und Luftdruck prüfen. Die Gefahr von vibrierenden Luftschläuchen vermeiden Ä regelmäßig den Zustand der Luftschläuche sowie der Schlauchanschlüsse und -klemmen prüfen.

Sicherstellen, daß der Luftaustritt so gerichtet ist, daß Staub oder Abluft vom Werkteil nicht in Richtung des Bedieners oder einer anderen Person geblasen wird. Wenn möglich, Schutzvorrichtung anbringen. Gegebenenfalls Abluftschlauch verwenden und Staubfilter anbringen.

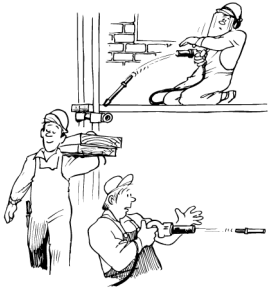
### Unfälle verhindern, wenn die Maschine benutzt wird

**1 Meißel, Gewindeschneideisen oder Locheisen können herausfallen oder aus dem Werkzeug herausgeschleudert werden und ernsthafte Verletzungen verursachen.**



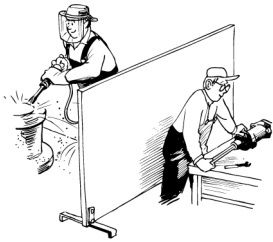
#### Um Verletzungen durch herumfliegende Meißel zu verhindern:

- Immer eine Halterung verwenden
- Die Halterung regelmäßig auf Abnutzung oder Schäden überprüfen

**und:**

- Darauf vorbereitet sein, daß der Meißel während des Betriebs aufgrund von Ermüdungserscheinungen brechen kann
- Die Maschine erst starten, wenn Meißel oder anderes Werkzeug gegen ein Werkstück gedrückt wird
- Meißel, Gewindeschneideisen oder Locheisen nach Beendigung der Arbeit aus der Maschine entfernen
- Bei Wechsel der Werkzeuge wie Meißel oder Gewindeschneideisen die Druckluftzufuhr zur Maschine unterbrechen
- Start/Stop-Schalter auslösen, falls die Stromversorgung unterbrochen wird
- Nach Beendigung einer Arbeit ist die Stromversorgung zur Maschine zu unterbrechen

## ***2 Sich und andere vor Späne und Funken schützen, besonders die Augen***

**Um das Sehvermögen zu schützen:**

- immer Schutzbrille tragen
- durch Schutzwände andere Arbeitsplätze abschirmen
- die Maschine nur für den vorgesehenen Zweck verwenden

## ***3 Um Verletzungen zu vermeiden sind***

- Handschuhe
- Sicherheitsschuhe
- und Helm zu benutzen
- immer Schutzbrille tragen

#### **4 Funkenbildung in explosiver Umgebung vermeiden**



**Um Verletzungen und Sachschaden durch Feuer zu verhindern:**

- andere Arbeitstechniken einführen
- Werkzeuge aus funkenfreiem Material benutzen

#### **5 Elektrische Stöße können fatale Folgen haben**

- Das Meißeln in der Nähe von elektrischen Leitungen vermeiden, die in Wänden usw. verborgen sind.

#### **Langzeitrisiken wenn die Maschine benutzt wird**

##### **6 Immer Gehörschutz verwenden**



**Um den schrittweisen Verlust des Gehörs aufgrund von zu hohem Geräuschpegel zu vermeiden**

- ist ein Gehörschutz zu tragen

##### **7 Durch Vibrationen können Hände und Arme Schaden nehmen**



- wenn möglich vibrationsgedämpfte Werkzeuge benutzen
- Einwirkzeit von Vibrationen reduzieren, wenn der Meißel von Hand geführt wird

##### **8 Staub der bei der Arbeit entsteht, kann gefährlich sein**

- Speichelabsaugung oder Atemgerät benutzen

#### **Richtiger gebrauch und wartung**

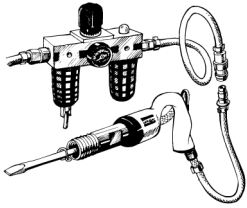
##### **9 Hammer nicht leerschlagen lassen**



- verursacht große innere körperliche Belastung und verkürzt die Lebensdauer des Werkzeugs

- Die Gefahr von herausfliegenden Meißeln oder anderen Werkzeugen durch beschädigte Werkzeughalter

## 10 Schnellkupplung



- wird eine Schnellkupplung für ein schlagendes Werkzeug benutzt, ist die Kupplung durch einen Schlauch von 0,5 m Länge vom Werkzeug zu trennen

## 11 Wartung

Bei Befolgung der mit der Maschine mitgelieferten Anweisungen für Schmierung, Wartung und Überholung werden lange Lebensdauer und zuverlässige Funktionsfähigkeit gewährleistet.

**Nur original Atlas Copco Austauschsätze und Ersatzteile verwenden.**

## Warnung

Diese Bedienungsanleitung vor der Inbetriebnahme der Maschine gründlich durchlesen und beim Betrieb genau befolgen.

Gerät und Zubehör nur für den vorgesehenen Zweck verwenden.

- Allgemeine Meißel- und Abklopfarbeiten, Gußputzarbeiten in Gießereien, Bohr- und leichtere Abbrucharbeiten in der Bau- industrie (ohne entsprechendes Zubehör **nicht geeignet für das Nageln**).

**RRC 13N** – zur Entfernung von Schweißschlacke, Rost und alten Farbanstrichen auf Metall.

Aus Gründen der Produkthaftung und Betriebssicherheit müssen alle Änderungen an Maschine und/oder Zubehör vom dafür verantwortlichen Techniker des Herstellers genehmigt werden.

## RRC 13B

- Wird das Werkzeug zum abblasen des Werkstückes benutzt – die Blasluft vom Bediener und anderen Personen abwenden.

## Allgemeine Informationen

### EG-KONFORMITÄTSERKLÄRUNG

Wir, **Atlas Copco Industrial Technique AB**, S-105 23 STOCKHOLM, SCHWEDEN erklären hiermit, dass das Produkt (mit Bezeichnung, Typ und Seriennummer laut Deckblatt) die folgende(n) Richtlinie(n) erfüllt:

**2006/42/EC**

Angewandte harmonisierte Normen:

**ISO 11148-4**

Technische Datei erhältlich von:

Qualitätsmanager, Atlas Copco Industrial Technique, Stockholm, Schweden

Stockholm, den 01.07.13

**Tobias Hahn, Generaldirektor**

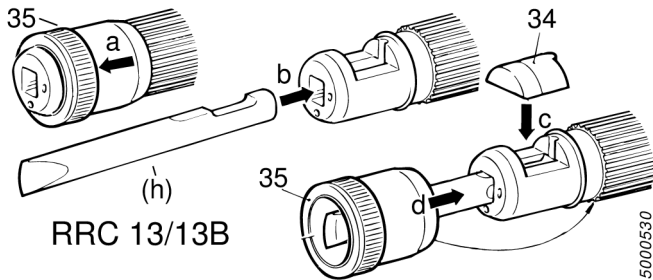
*Ted Hae*

Unterschrift des Ausstellers

**Installation**

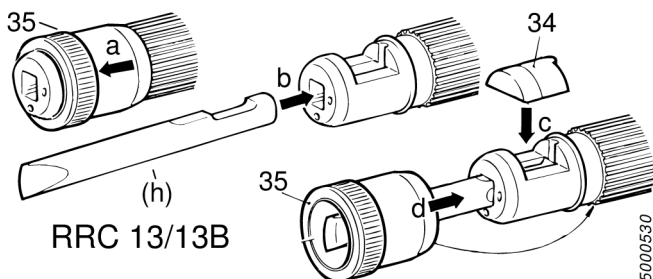
**Einbau**

**RRC 13**



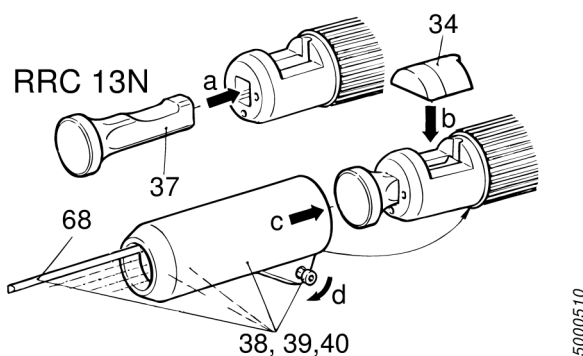
- Einsetzen des Meißels (h) siehe Abbildung.

**RRC 13B**



- Einsetzen des Meißels (h) siehe Abbildung.

**RRC 13N**



- Einsetzen des Nadelsatzes (j; 68) siehe Abbildung.  
Verwenden Sie stets vollständige Nadelsätze gleicher Länge, um zu gewährleisten, daß die volle Arbeitskapazität der Maschine ausgenutzt wird.

## Luftqualität

- Für eine optimale Leistung und maximale Maschinenlebensdauer empfehlen wir den Einsatz von Druckluft mit einem Taupunkt von 10°C. Die Installation eines Atlas Copco-Kühllufttrockners wird empfohlen.
- Verwenden Sie einen separaten Luftfilter vom Typ Atlas Copco FIL. Dieser sorgt für die Abscheidung von Feststoffteilchen mit einer Größe über 15 Mikrometer sowie mehr als 90 % des flüssigen Wassers. Der Filter ist so nah wie möglich an der Maschine/Ausrüstung und vor weiteren Luftaufbereitungseinheiten wie REG oder DIM zu installieren (siehe Luftleitungszubehör in unserem Hauptkatalog). Den Schlauch vor dem Anschließen ausblasen.

## Modelle, die Luftschmierung erfordern:

- Die Druckluft muss mit einer kleinen Ölmenge versetzt sein.  
Wir empfehlen nachdrücklich die Installation eines Atlas Copco-Nebelölers DIM. Dieser ist entsprechend des Luftbedarfs des Luftleitungswerkzeugs unter Verwendung folgender Formel einzustellen:

$L$  = Luftverbrauch (l/Sek.)

(Ziehen Sie die Verkaufsunterlagen zu Rate.)

$D$  = Anzahl der Tropfen je Minute (1 Tropfen = 15 mm<sup>3</sup>)

$L \cdot 0,2 = D$

Dies gilt für den Einsatz von Werkzeugen mit langen Arbeitszyklen. Alternativ kann ein Atlas Copco-Einspritzöler vom Typ Dosol für Werkzeuge mit kurzen Arbeitszyklen verwendet werden.

Hinweise zur Einstellung des Dosol-Ölers entnehmen Sie den Angaben zum Luftleitungszubehör in unserem Hauptkatalog.

## Schmierungsfreie Modelle:

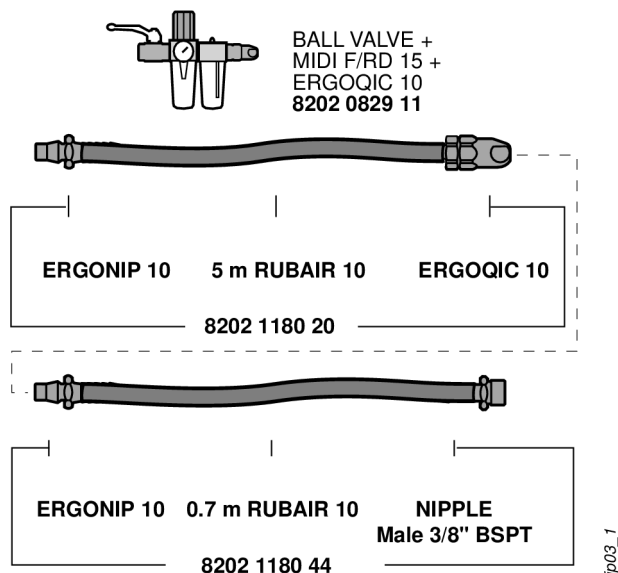
- Bei schmierfreien Werkzeugen, die auf Kundenwunsch bereitgestellt werden, ist es nicht nachteilig, wenn die Druckluft eine geringe Ölmenge enthält, die von einem DIM- oder Dosol-Öler abgegeben wird.  
Eine Ausnahme stellen Turbinenwerkzeuge dar, für die ein ölfreier Betrieb gewährleistet werden muss.

## Druckluftanschluss

- Das Werkzeug ist für einen Betriebsdruck (e) von 6 - 7 bar = 600 - 700 kPa = 6-7 kp/cm<sup>2</sup> ausgelegt.
- Vor dem Anschluß den Schlauch sauber blasen.

## Montageempfehlung

Die Installations-Kits von Atlas Copco sind alle für eine optimale Leistung Ihrer Werkzeuge ausgelegt. Wir haben unsere Installations-Sätze unterteilt für Material-abtragende- und Montagewerkzeuge. Hiermit können Sie eine Installation in wenigen Minuten durchführen, denn alle Komponenten sind komplett vormontiert und einsatzbereit. Einfacher geht es nicht!



Weitere Hinweise entnehmen Sie dem Atlas Copco Industrial Power Tools Katalog, Bestellnr. 9837 3000 01.

## Wartung

### Schmierung

Die Maschine ist einmal pro Schicht mit etwa 10 Tropfen Öl zu schmieren. Das Öl wird tropfenweise in den Druckluftschlauch oder in die Verschraubung (16) gegeben. Bei Dauerbetrieb empfiehlt sich der Einbau eines automatischen Nebelschmiergerätes von Atlas Copco.

Nur hochwertige Schmiermittel verwenden. Die in der Tabelle empfohlenen Schmiermittel sind Beispiele, die den gestellten Anforderungen entsprechen.

### Schmiermittelempfehlungen

| Fabrikat | Fett                 | Luftschmierung |
|----------|----------------------|----------------|
| BP       | Energrease LS-EP2    | Energol E46    |
| Esso     | Beacon EP2           | Arox EP46      |
| Q8       | Rembrandt EP2        | Chopin 46      |
| Mobil    | Mobilegrease XHP 222 | Almo Oil 525   |
| Shell    | Alvania EP2          | Torcula 32     |
| Texaco   | Multifak EP2         | Aries 32       |
| Molycote | BR2 Plus             |                |

## Wartung

Wenn die Maschine täglich benutzt wird, ist alle 6 Monate eine Inspektion und Reinigung vorzunehmen.

Das Sieb der Verschraubung (16) ist oft zu reinigen, damit keine Drosselung entsteht, die zu einer Leistungsabnahme führt.

## Nützliche Informationen





Melden Sie sich auf der Website von Atlas Copco an: [www.atlascopco.com](http://www.atlascopco.com)

Auf unserer Website finden Sie Informationen zu unseren Produkten, Zubehör und Ersatzteilen sowie diverse Veröffentlichungen.

## Ergonomie-Richtlinien

Denken Sie an Ihre Arbeitsstation, während Sie diese Liste mit allgemeinen Ergonomie-Richtlinien lesen und schauen Sie, ob Sie Bereiche identifizieren können, in denen Verbesserungen in Bezug auf Körperhaltung, Bauteile-Positionierung oder Arbeitsumgebung möglich sind.

- Regelmäßig Pausen einlegen und die Arbeitshaltung häufig ändern.
- Den Arbeitsstationsbereich Ihren Anforderungen und der auszuführenden Arbeit entsprechend anpassen.
  - Eine angemessene Reichweite sicherstellen, indem Teile oder Werkzeuge so positioniert werden, dass eine statische Belastung vermieden werden kann.
  - An der Arbeitsstation Ausrüstung wie Tische und Stühle verwenden, die sich für die auszuführende Arbeit eignen.
- Während der Ausführung von Montagearbeiten Körperhaltungen über Schulterhöhe oder mit statischer Halteposition vermeiden.
  - Beim Arbeiten über Schulterhöhe die auf die statischen Muskeln wirkende Belastung durch Reduzierung des Werkzeuggewichts verringern. Hierzu beispielsweise Drehmomentarme, Schlauchaufroller oder Gewichtsausgleicher verwenden. Sie können die auf die statischen Muskeln ausgeübte Belastung auch reduzieren, indem Sie das Werkzeug nah am Körper halten.
  - Stellen Sie sicher, dass Sie häufig Pausen einlegen.
  - Extreme Arm- oder Handgelenkhaltungen vermeiden, insbesondere bei Arbeiten, bei denen ein gewisser Kraftaufwand erforderlich ist.
- Ein angenehmes Sichtfeld sicherstellen, bei dem Sie Augen- und Kopfbewegungen während der Ausführung Ihrer Arbeit möglichst minimal halten können.
- Eine zur Ausführung Ihrer Arbeit angemessene Beleuchtung verwenden.
- Ein zur Ausführung Ihrer Arbeit angemessenes Werkzeug auswählen.
- In lauten Arbeitsumgebungen einen Gehörschutz tragen.
- Hochwertige Einsätze oder Kleinteile verwenden, um eine übermäßige Vibrationsbelastung möglichst minimal zu halten.
- Eine durch Reaktionskräfte verursachte Belastung möglichst minimal halten.
  - Beim Schneiden:  
Eine Trennscheibe kann stecken bleiben, wenn sie verbogen oder nicht korrekt geführt wird. Sicherstellen, dass für Trennscheiben korrekte Flansche verwendet werden, und während Trennarbeiten ein Biegen der Scheibe vermeiden.
  - Beim Bohren:

Die Bohrmaschine kann beim Durchbrechen des Bohrers stehen bleiben. Bei zu hohem Stillstandsmoment sicherstellen, dass Stützgriffe verwendet werden. Gemäß Teil 3 der Sicherheitsnorm ISO11148 wird empfohlen, bei Pistolengriffmodellen eine Vorrichtung zur Aufnahme von Reaktionsmomenten von über 10 Nm und bei Stabmodellen zur Aufnahme von Reaktionsmomenten von über 4 Nm zu verwenden.

- Bei Verwendung von Schraubern mit Direktantrieb:

Reaktionskräfte sind von der Werkzeugeinstellung und den jeweiligen Eigenschaften einer Verbindung abhängig. Die Belastbarkeit in Bezug auf Reaktionskräfte ist von der Stärke und der Körperhaltung des Bedieners abhängig. Passen Sie die Drehmomenteinstellung der Stärke und der Körperhaltung des Bedieners an und verwenden Sie bei zu hohem Drehmoment einen Drehmomentarm oder einen Gegenhalter.

- Verwenden Sie in staubiger Umgebung eine Staub-Absauganlage oder eine Mundschutzmaske.

## Herkunftsland

Beziehen Sie sich bitte auf die auf dem Produktetikett angegebenen Informationen.

## Ersatzteile

Teile ohne Bestellnummer werden aus technischen Gründen nicht separat geliefert, ebenso Teile, die in Wartungskits enthalten sind.

Die Anwendung anderer als Original Atlas Copco-Ersatzteile kann zu verminderter Leistung und steigendem Wartungsbedarf führen und kann, entsprechend der Wahl des Unternehmens, alle Garantien ungültig machen.

## Garantie

Im Gewährleistungsfall nehmen Sie mit Ihrem örtlichen Atlas Copco Handelsvertreter Kontakt auf. Ein Gewährleistungsanspruch kann nur geltend gemacht werden, wenn das Produkt in Übereinstimmung mit der Betriebsanleitung montiert, betrieben und gewartet wurde.

Konsultieren Sie ebenfalls die Lieferbedingungen von Atlas Copco.

## ServAid

ServAid ist ein Dienstprogramm, das der Bereitstellung aktualisierter Produktinformationen zu Folgendem dient:

- Sicherheitsanweisungen
- Installations-, Betriebs- und Wartungsanweisungen
- Explosionsdarstellungen

ServAid vereinfacht die Bestellung von für das Produkt Ihrer Wahl passenden Ersatzteilen, Werkzeugen und Zubehörteilen. Es wird ständig mit Informationen über neue und geänderte Produkte aktualisiert.

Sie können ServAid zur Anzeige des Inhalts in einer spezifischen Sprache verwenden, vorausgesetzt dass entsprechende Übersetzungen vorhanden sind, sowie auch zur Anzeige von Informationen zu veralteten Produkten. ServAid stellt eine erweiterte Suchfunktionalität für unser gesamtes Lieferprogramm bereit.

ServAid ist auf DVD und auf folgender Webseite erhältlich:

<http://servaidweb.atlascopco.com>

Weitere Informationen erhalten Sie bei Ihrem zuständigen Atlas Copco Ansprechpartner, oder schicken Sie eine E-Mail an:

[servaid.support@se.atlascopco.com](mailto:servaid.support@se.atlascopco.com)

### **Sicherheitsdatenblätter MSDS/SDS**

Die Sicherheitsdatenblätter stellen Angaben zu von Atlas Copco erhältlichen Chemikalien bereit.

Weitere Informationen finden Sie auf der Website

<http://www.atlascopco.com/>.

Wählen Sie hierzu **Produkte - Sicherheitsdatenblätter** und befolgen Sie die auf der Seite angegebenen Anweisungen.

## Technische Daten

### Technische Daten

#### Schall- und Vibrationspegel

| Lärmbelastung (gemäß ISO15744) | dBA |
|--------------------------------|-----|
| Schalldruckpegel               | 91  |
| Schallleistungspegel           | 102 |
| Unsicherheit                   | 3   |

| Vibrationsgesamtwert, gültig ab 2010<br>(3-Achsenwert gemäß ISO28927-9) | m/s <sup>2</sup>            |
|---|-----------------------------|
| Vibrationswert  | 11.5(13) 11.5(13B) 8.1(13N) |
| Unsicherheit  | 2.7(13) 2.7(13B) 1.8(13N)   |

#### Statement zur Geräusch & Vibrations-Deklaration

Diese angegebenen Werte wurden während eines Laborversuchs gemäß der vorgegebenen Normen durchgeführt und sind zum Vergleich mit angegebenen Werten anderer Werkzeuge geeignet, welche gemäß derselben Normen geprüft wurden. Diese angegebenen Werte reichen für eine Verwendung in der Risikobewertung nicht aus, wobei Werte gemessen an den verschiedenen Arbeitsplätzen höher liegen können. Die tatsächlichen Expositionswerte und das Gefährdungsrisiko, welchen die einzelne Bedienperson ausgesetzt ist, sind einmalig und hängen von der Arbeitsweise der Bedienperson, dem Werkstück und der Auslegung des Arbeitsplatzes ab, sowie von der Expositionsdauer und der physischen Verfassung der Bedienperson.

Wir, **Atlas Copco Industrial Technique AB**, können nicht für Folgen, die sich aus der Verwendung der von uns angegebenen Werte statt der realen Belastungswerte für die Risikoeinschätzung einer Arbeitsplatzsituation ergeben, haftbar gemacht werden, da wir auf diese keinen Einfluss haben.

Dieses Werkzeug kann das Hand-Arm-Vibrations-Syndrom auslösen, sofern sein Gebrauch nicht in ausreichendem Maße geregelt wird. Einen EU-Leitfaden, der sich mit Hand-Arm-Vibration befasst, finden Sie unter <http://www.pn-europ.eu/index.php> und durch Auswahl von „Tools“ (Werkzeuge) und „Legislation“ (Gesetzgebung).

Wir empfehlen ein Programm zur Gesundheitsüberwachung, durch welches frühe Symptome erkannt werden können, welche auf die Vibrationsexposition zurückgeführt werden könnten, so dass die Abläufe der Maßnahmen daraufhin so geändert werden können, dass zukünftige Beeinträchtigungen vermieden werden.



# Instrucciones de operación y Seguridad

## *Instrucciones de seguridad*

### **Importante información para el uso más seguro de las herramientas de percusión**

Este manual sigue la Directiva de Máquinas de la CE (2006/42/CE) con respecto a las instrucciones del operario y las partes relevantes de las normas de CEN TC 255 cHerramientas manuales de accionamiento mecánico no eléctrico. Estas instrucciones se refieren a la operación, manejo de la máquina, herramienta insertada, equipos y mantenimiento. Es peligroso hacer caso omiso de estas reglas bien establecidas.

Asegurarse de que el operario ha comprendido totalmente las recomendaciones siguientes y de que las tiene fácilmente accesibles.

△

El operario deberá seguir al pie de la letra las medidas indicadas a continuación para evitar el riesgo de daños o de accidente.

### **Instalación**

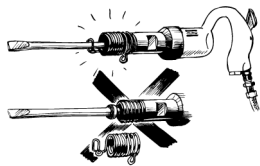
Seguir las instrucciones escritas para la preparación del aire suministradas con la máquina. Cuando se recomienda la lubricación, usar solamente lubricantes recomendados.

Controlar el tamaño de la manguera y la presión del aire. Evitar el riesgo de latigazo de la manguera. Controlar regularmente el estado de la manguera, del acoplamiento de la misma y de la abrazadera.

Comprobar que el escape de aire esté dirigido de forma que no sople polvo ni aire de la pieza de trabajo al operario o a otras personas. Si es posible, poner barreras. En caso necesario usar una manguera de escape y un dispositivo colector del polvo.

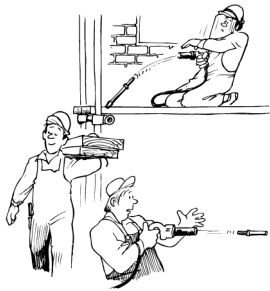
### **Evitar los accidentes cuando se use la máquina**

**1 El cincel, el troquel o el punzón puede caerse o salir proyectado de la herramienta accidentalmente, causando graves lesiones.**



**Para evitar lesiones causadas por un cincel que salga despedido:**

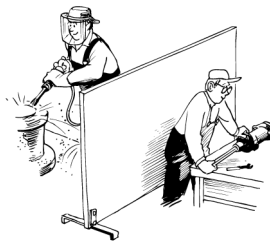
- usar siempre un retenedor
- inspeccionar regularmente el retenedor para ver si presenta desgaste o daños y



y:

- tener en cuenta que el cincel puede romperse durante la operación debido a fatiga
- no accionar nunca el gatillo a menos que la máquina esté apoyada contra la pieza de trabajo
- quitar el cincel, el troquel o el punzón de la máquina al concluir el trabajo
- antes de cambiar accesorios, cincel o troquel, desconectar la máquina de la alimentación de aire comprimido
- soltar el dispositivo de arranque y parada en caso de interrupción del suministro de energía
- una vez concluido el trabajo, desconectar la máquina de la tubería de aire comprimido

## **2 Evitar que salten astillas, virutas o chispas a los ojos o a otros trabajadores**



### **Evitar que salten astillas, virutas o chispas a los ojos o a otros trabajadores**

- utilizar siempre protección para los ojos
- aislar los distintos puestos de trabajo mediante mamparas
- utilizar la herramienta exclusivamente para el objeto de diseño

### **3 Prevenir las lesiones usando:**

- guantes
- zapatos de protección
- casco
- utilizar siempre protección para los ojos

#### **4 No inflamar ambientes explosivos**



**Para impedir que los daños corporales o materiales causados por incendio:**

- utilizar otra técnica
- usar accesorios de material que no produzca chispas (por ejemplo, un juego de accesorios de cobre de berilio para un desincrustador de agujas)

#### **5 Las descargas eléctricas pueden ser mortales**

- no cincelar sobre cableado eléctrico oculto en el interior de paredes, etc.

### **Riesgos a largo plazo cuando se usa la máquina**

#### **6 Utilizar siempre protección para los oídos**



**Para evitar la pérdida gradual de audición como consecuencia de la exposición a altos niveles de ruido:**

- utilizar protección para los oídos.

#### **7 Las vibraciones pueden ser nocivas para las manos y los brazos**



- utilizar herramientas con amortiguación de vibraciones, si se dispone de ellas
- reducir el tiempo total de exposición a las vibraciones, especialmente si el operario ha de guiar el cincel con la mano

#### **8 El polvo producido durante la operación de la herramienta puede ser nocivo**

- utilizar extracción puntual o escafandra de respiración

### **Uso y mantenimiento adecuados**

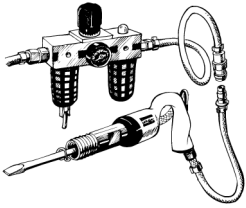
#### **9 No golpear en vacío con el martillo**





- se producirán tensiones internas muy elevadas y se acortará la vida de servicio de la herramienta
- tener en cuenta el riesgo de que salga despedido el cincel, el troquel o el punzón si el retenedor no está en mal estado

## 10 Acoplamiento rápido



- si se utiliza un acoplamiento rápido en una herramienta de percusión, deberá estar separado de ésta por una manguera flexible (0,5 m de longitud)

## 11 Mantenimiento

Siguiendo las instrucciones de lubricación, mantenimiento y revisión suministradas con la máquina se conseguirá una larga vida de servicio y funcionamiento seguro.

**Usar sólo juegos de reemplazo y piezas de repuesto originales Atlas Copco.**

## Atención

Asegurarse de que se han leído y comprendido estas instrucciones antes de poner en marcha la máquina.

Esta máquina y sus accesorios sólo han de ser usados para el objeto diseñado.

- Para el trabajo general de cincelado y desincrustación, rebarbado en fundiciones, perforación de agujeros y demolición ligera en la industria de la construcción (**no para poner clavos** sin los accesorios apropiados).  
RRC 13N – para eliminar rebadas de soldadura, herrumbre y pintura de estructuras de acero.

Por razones de seguridad y responsabilidad, toda modificación de la herramienta y sus accesorios ha de ser previamente acordada con un representante técnico autorizado del fabricante.

## RRC 13B

- Cuando se utilice el dispositivo de soplado para limpieza, evitar que el escape de aire incida en el operario y personas adyacentes.

## Información general

### DECLARACIÓN DE CONFORMIDAD CE

Nosotros, **Atlas Copco Industrial Technique AB**, S-105 23 ESTOCOLMO, SUECIA declaramos que el producto (con nombre, tipo y número de serie indicados en la primera página) es conforme a las siguientes Directivas:

**2006/42/EC**

Estándares armonizados aplicados:

**ISO 11148-4**

Archivo técnico disponible en:

Quality Manager, Atlas Copco Industrial Technique, Estocolmo, Suecia

Estocolmo, 1 de julio de 2013

Tobias Hahn, Consejero delegado

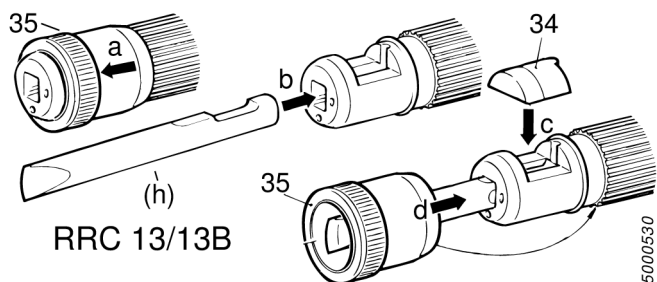


Firma del emisor

## Instalación

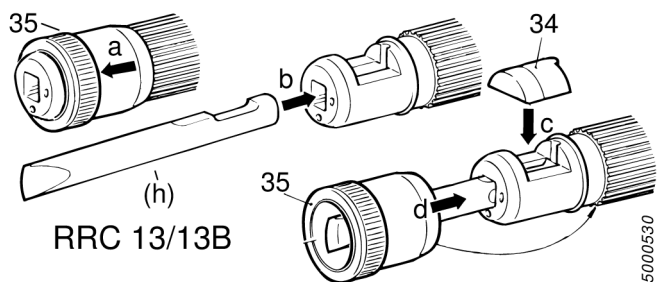
### Instalación

#### RRC 13/13B

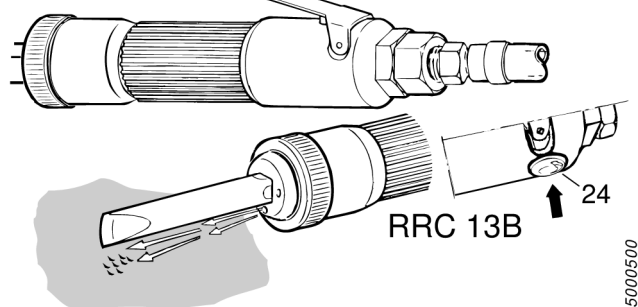


- Montar el cincel (h). Ver fig.

#### RRC 13/13B

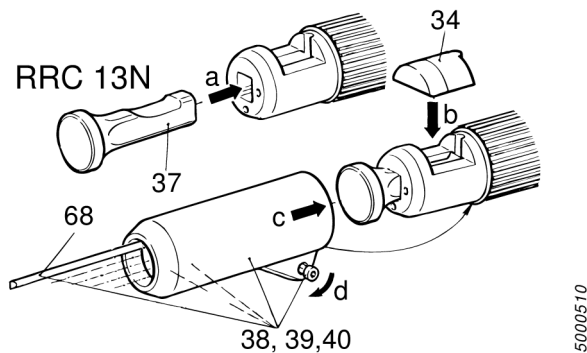


START



- Montar el cincel (h). Ver fig.

#### RRC 13N



- Montar el juego de agujas (j; 68). Ver fig.  
Usar siempre juegos completos de agujas de la misma longitud para asegurarse de alcanzar la capacidad de la máquina.

### Calidad del aire

- Para obtener un rendimiento óptimo y prolongar al máximo la vida útil de la máquina, se recomienda utilizar aire comprimido con un punto de rocío máximo de +10°C. También se recomienda instalar un secador de aire de tipo refrigeración de Atlas Copco.
- Utilice un filtro de aire independiente de Atlas Copco, de tipo FIL. Este filtro elimina las partículas sólidas de más de 15 micrones y más del 90% del agua líquida. El filtro debe instalarse lo más cerca posible de la máquina/equipo y antes de cualquier otra unidad de preparación de aire como, por ejemplo, REG o DIM (consulte la sección "Accesorios para líneas de aire" en nuestro catálogo principal). Limpie la manguera con aire antes de conectarla.

### Modelos que requieren lubricación del aire:

- El aire comprimido debe contener una pequeña cantidad de aceite. Recomendamos encarecidamente la instalación de un engrasador de niebla de aceite (DIM) de Atlas Copco. El engrasador debe ajustarse en función del consumo de aire por parte de la herramienta conectada a la línea de aire, de acuerdo con la siguiente fórmula:

$L$  = Consumo de aire (litros/seg.).

(Se puede encontrar en la documentación de venta).

$D$  = Número de gotas por min. (1 gota = 15 mm<sup>3</sup>)

$$L * 0,2 = D$$

esto es válido para el uso de herramientas con ciclos de trabajo largos. También se puede usar un engrasador de punto único tipo Dosol de Atlas Copco para herramientas con ciclos de trabajo cortos.

Para obtener información sobre los ajustes del engrasador Dosol, consulte la sección "Accesorios para líneas de aire" en nuestro catálogo principal.

### Modelos que no requieren lubricación:

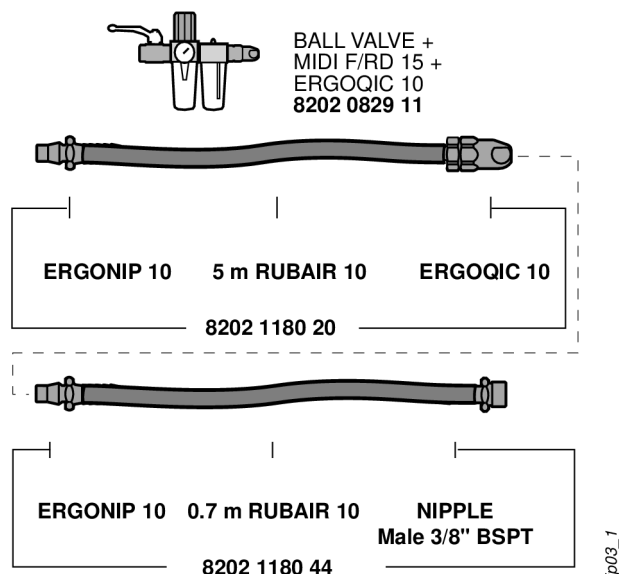
- En el caso de herramientas que no requieren lubricación, queda a discreción del cliente decidir qué equipos periféricos utilizar. Sin embargo, no es una desventaja si el aire comprimido contiene una pequeña cantidad de aceite suministrada, por ejemplo, desde un engrasador de niebla de aceite (DIM) o un sistema Dosol.  
Esto no es válido para herramientas de turbina, que deben mantenerse libres de aceite.

### Conexión del aire comprimido

- La máquina está diseñada para una presión de trabajo (e) de 6 – 7 bares = 600 – 700 kPa = 6 – 7 kp/cm<sup>2</sup> = 87 – 102 lb/pulg<sup>2</sup>(g).
- Soplar aire por la manguera antes de conectarla.

## Propuesta de instalación

La elección de los acoplamientos, mangueras y abrazaderas correctos puede resultar dificultosa. Para ahorrar tiempo y asegurar la capacidad correcta de la instalación de aire, desde el punto de toma hasta la herramienta, le ofrecemos propuestas de instalación para cada herramienta.



Si desea obtener más información, consulte el catálogo de herramientas motorizadas industriales de Atlas Copco (designación 9837 3000 01).

## Mantenimiento

### Lubricación

La máquina deberá ser lubricado con aceite una vez por periodo de trabajo, con una cantidad aproximada de 10 gotas. El aceite se echará por la manguera de aire o por el adaptador (16). En caso de funcionamiento continuo se recomienda la instalación de un aparato automático de lubricación por niebla Atlas Copco.

Utilizar lubricantes de buena calidad. Las marcas de lubricantes indicadas en la tabla son ejemplos de los que se pueden recomendar.

### Guía de engrase

| Marca    | Grasa                | Lubricación del aire |
|----------|----------------------|----------------------|
| BP       | Energrease LS-EP2    | Energol E46          |
| Esso     | Beacon EP2           | Arox EP46            |
| Q8       | Rembrandt EP2        | Chopin 46            |
| Mobil    | Mobilegrease XHP 222 | Almo Oil 525         |
| Shell    | Alvania EP2          | Torcula 32           |
| Texaco   | Multifak EP2         | Aries 32             |
| Molycote | BR2 Plus             |                      |

### Revisión

Si el máquina funciona diariamente, deberá hacerse la revisión y limpieza cada seis meses.

El filtro del adaptador (16) deberá limpiarse con frecuencia para no restringir el rendimiento.

## Información útil



Visite Atlas Copco en [www.atlascopco.com](http://www.atlascopco.com)

En nuestro sitio web encontrará información referente a nuestros productos, accesorios, piezas de repuesto y material impreso.

## Directrices sobre ergonomía

Piense en su estación de trabajo mientras lee esta lista de directrices ergonómicas generales y compruebe si encuentra áreas de mejora en la postura, el emplazamiento de los componentes o el entorno de trabajo.

- Realice descansos frecuentes y cambie la posición de trabajo con regularidad.
- Adapte la zona de la estación de trabajo a sus necesidades y a la tarea.
  - Realice los ajustes para tener un alcance cómodo determinando donde colocar las piezas o herramientas para evitar la carga estática.
  - Utilice equipamiento para la estación de trabajo, como mesas y sillas, adecuado para la tarea.
- Evite posiciones de trabajo por encima de la altura del hombro o con sujeciones estáticas durante las operaciones de montaje.
  - Cuando trabaje por encima de la altura del hombro, reduzca la carga sobre los músculos estáticos reduciendo el peso de la herramienta mediante la utilización de, por ejemplo, brazos de reacción, carretes de manguera o equilibradores de carga. También puede reducir la carga en los músculos estáticos sujetando la herramienta cerca del cuerpo.
  - Asegúrese de realizar descansos frecuentes.
  - Evite posturas extremas de brazos y muñecas, en particular para operaciones que requieran un grado de fuerza.
- Realice ajustes para disponer de un campo de visión cómodo con el que minimizar el movimiento de los ojos y la cabeza durante la tarea.
- Utilice la iluminación adecuada para la tarea.
- Seleccione la herramienta adecuada para la tarea.
- Utilice equipos de protección auditiva en entornos ruidosos.
- Utilice herramientas o consumibles insertados de alta calidad para minimizar la exposición a excesivos niveles de vibración.
- Minimice la exposición a fuerzas de reacción.
  - Durante el corte:  
La rueda de corte puede bloquearse si está doblada o no está correctamente guiada. Asegúrese de utilizar bridas adecuadas para ruedas de corte y evite doblarla durante la operación de corte.
  - Durante el taladro:

El taladro puede calarse si la broca se rompe. Asegúrese de utilizar mangos de soporte si el par máximo es demasiado elevado. La norma de seguridad ISO 11148 apartado 3 recomienda el uso de elementos para la absorción del par de reacción superior a 10 Nm para herramientas con empuñadura de pistola y de 4 Nm para herramientas de caja recta.

- Durante el uso de tornillos o aprietatuercas de accionamiento directo:

Las fuerzas de reacción dependen del ajuste de la herramienta y de las características de la unión. La capacidad para soportar las fuerzas de reacción depende de la fuerza y la postura del operario. Adapte el ajuste del par a la fuerza y la postura del operario y utilice un brazo o una barra de reacción si el par es demasiado elevado.

- Utilice sistemas de extracción de polvo o mascarillas de protección en entornos polvorientos.

## País de origen

Consulte la información en la etiqueta del producto.

## Recambios

Por razones técnicas, las piezas sin referencia no se suministran por separado, al igual que las piezas incluidas en los kits de servicio.

El uso de recambios no originales de Atlas Copco puede disminuir las prestaciones y aumentar las necesidades de mantenimiento y, a opción del fabricante, anular todas las garantías.

## Garantía

Póngase en contacto con el representante de ventas de Atlas Copco de su área para realizar cualquier tipo de reclamación. La garantía solo será válida si el producto se ha instalado, se ha utilizado y se le ha realizado el mantenimiento del modo que establecen las instrucciones de funcionamiento.

Así mismo, consulte las condiciones de entrega que aplica el representante de la empresa Atlas Copco de su área.

## ServAid

ServAid es una utilidad destinada a suministrar información de producto actualizada relativa a:

- Instrucciones de seguridad
- Instalación, funcionamiento e instrucciones de mantenimiento
- Vistas ampliadas

ServAid facilita el proceso de pedido de repuestos, herramientas de servicio y accesorios para los productos elegidos. Se actualiza continuamente con información de productos nuevos y rediseñados.

ServAid puede utilizarse para presentar contenidos en un idioma determinado, siempre que su traducción esté disponible, y para consultar información sobre productos obsoletos. ServAid ofrece una función de búsqueda avanzada en la totalidad de nuestra gama de productos.

ServAid está disponible en DVD y en internet:

<http://servaidweb.atlascopco.com>

Para obtener más información, póngase en contacto con su representante de ventas de Atlas Copco o envíenos un e-mail a:

[servaid.support@se.atlascopco.com](mailto:servaid.support@se.atlascopco.com)

### **Hojas de datos de seguridad de MSDS/SDS**

Las hojas de datos de seguridad describe los productos químicos vendidos por Atlas Copco.

Para obtener más información, consulte el sitio web

<http://www.atlascopco.com/>.

Seleccione **Productos - Hojas de datos de seguridad**, y siga las instrucciones que aparecen en la página.

## Datos técnicos

### Datos técnicos

#### Ruidos y vibraciones

| Ruido (según ISO15744)   | dBA |
|--------------------------|-----|
| Nivel de presión sonora  | 91  |
| Nivel de potencia sonora | 102 |
| Incertidumbre            | 3   |

| Valor total de vibraciones, válido desde 2010<br>(valor en 3 ejes según ISO28927-9) | m/s <sup>2</sup>            |
|---|-----------------------------|
| Valor de las vibraciones  | 11.5(13) 11.5(13B) 8.1(13N) |
| Incertidumbre   | 2.7(13) 2.7(13B) 1.8(13N)   |

#### Declaración sobre ruido y vibraciones

Los valores declarados han sido obtenidos en ensayos de laboratorio realizados según la normativa indicada y pueden utilizarse para compararlos con los valores declarados para otras herramientas que hayan sido ensayadas siguiendo la misma normativa. Los valores declarados no se pueden utilizar para evaluación de riesgos y los valores obtenidos en cada lugar de trabajo podrían alcanzar cifras superiores. Los valores reales de exposición y de riesgo de daños para cada individuo dependen del sistema de trabajo del usuario, del diseño del puesto de trabajo y de la pieza, y también del tiempo de exposición y del estado físico del usuario.

Nosotros, **Atlas Copco Industrial Technique AB**, no tendremos responsabilidad alguna por las consecuencias del uso de los valores declarados en lugar de los valores reflejados en la exposición real, en una evaluación de riesgos individuales en una situación de trabajo sobre la que no tenemos control alguno.

Esta herramienta puede provocar síndrome de vibración si no se gestiona adecuadamente su utilización. Puede encontrar una guía de la UE sobre cómo manejar la vibración brazo-mano accediendo a <http://www.pneurop.eu/index.php> y seleccionando "Tools" (Herramientas) y "Legislation" (Legislación).

Se recomienda mantener un programa de control sanitario de detección precoz de los síntomas relacionados con la exposición a vibraciones, con objeto de modificar los procedimientos de gestión y así evitar posibles discapacidades.





## Instruções de operação e de segurança

### Instruções de segurança

#### Informação importante para uso mais seguro de ferramentas de percussão

Este manual segue os padrões das normas utilizadas para máquinas da CE (2006/42/CE) referente às instruções para o utilizador bem como as partes mais relevantes da norma CEN TC 255 "Ferramentas manuais de energia não eléctrica - Segurança". Estas instruções dizem respeito à operação, manuseamento da máquina, ferramentas e equipamentos de desgaste bem como manutenção.

A negligência no cumprimento destas recomendações há muito estabelecidas poderá causar acidentes graves.

Assegure-se de que o utilizador compreendeu completamente as recomendações seguintes e que tem acesso a elas.



Preste especial atenção às medidas seguintes que o utilizador tem de tomar de forma a evitar riscos de uso indevido ou acidente

### Instalação

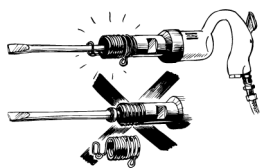
Siga as instruções para tratamento do ar comprimido dadas pelo folheto fornecido juntamente com a máquina. Quando a lubrificação use apenas os lubrificantes indicados.

Verifique o tamanho da mangueira e a pressão do ar. Evite o risco de mangueiras em movimento descontrolado. Verifique regularmente o estado da mangueira e das abraçadeiras.

Verifique se o ar de escape está orientado para fora da zona de trabalho não atinja o operador ou outras pessoas em redor. Coloque barreiras se possível. Quando for necessário, use mangueira de escape e faça recolha do pó.

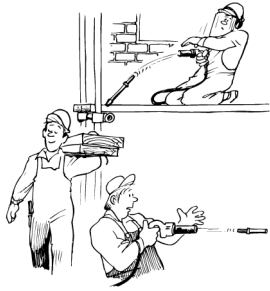
### Evite acidentes ao usar a máquina

**1 O buril, encaladeira e punção podem cair ou ser projectados acidentalmente da ferramenta causando sérios ferimentos.**



**Para evitar ferimentos de um buril projectado:**

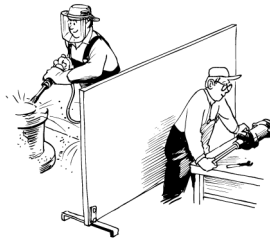
- use sempre um retentor
- inspeccione o retentor regularmente para detectar defeitos ou desgaste



e:

- esteja consciente de que o buril pode partir durante a operação devido a fadiga
- nunca accione a máquina sem que ela esteja apoiada contra a peça a trabalhar
- retire o buril, encaladeira ou punção da ferramenta quando acabar o trabalho
- antes de mudar os acessórios, buril ou encaladeira, desligue a ferramenta da alimentação de ar
- solte a unidade de accionamento e paragem em caso de interrupção do fornecimento de energia
- ao acabar o trabalho , desligue a ferramenta da alimentação de ar

## ***2 Evite que chispas e rebarbas atinjam a vista ou outro trabalhador***



### **Para evitar a cegueira:**

- use sempre protecção ocular
- isole os trabalhos deste tipo utilizando barreiras entre os locais de trabalho
- não use a máquina para fins diferentes daqueles para os quais ela foi concebida

### ***3 Evite lesões corporais usando:***

- luvas
- sapatos de protecção
- capacete
- use sempre protecção ocular

#### **4 Atmosferas explosivas não devem ser inflamadas**



**Para evitar riscos e prejuízos materiais por fogo:**

- use outras técnicas
- use acessórios de materiais isentos de faísca (ex: agulhas de cobre berílio para martelos picadores de agulhas)

#### **5 Um choque eléctrico pode ser fatal**

- evite a burilagem perto de condutores eléctricos escondidos dentro de paredes etc.

#### **Riscos a longo prazo ao usar a máquina**

#### **6 Use sempre protecção auricular**



**Para evitar a perda gradual da audição devido à exposição a níveis sonoros elevados**

- use protecção auricular

#### **7 A vibração pode ser prejudicial para mãos e braços**



- use ferramentas com amortecimento de vibrações, se houver
- reduza o tempo total de exposição às vibrações, particularmente se o operador tem de guiar o buril à mão

#### **8 O pó resultante da operação pode ser prejudicial**

- use sucção de saliva ou máscara de respiração

#### **Corecta utilização e manutenção**

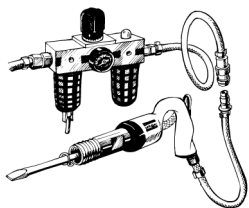
#### **9 Não percuta o martelo em vazio**



- pois isso causará elevadas tensões internas e reduzirá a vida da ferramenta

- tenha em conta o risco de projectar o buril, encalcadeira ou punção, se o retentor não estiver em condições

## 10 Ligações rápidas



- se usar uma ligação rápida numa ferramenta de percussão, esta deverá ser afastada da ferramenta por um chicote de mangueira (com 0,5 m de comprimento)

## 11 Manutenção

A máquina terá um longo tempo de vida útil e em condições de segurança, se forem observadas as instruções de lubrificação, manutenção e revisão fornecidas com a máquina.

**Use apenas peças sobressalentes genuínas da Atlas Copco.**

### Atenção

Assegure-se de que compreendeu as instruções de operação antes de usar esta máquina.

Esta máquina, as suas conexões e acessórios devem ser usados apenas para os fins a que foram destinados:

- Trabalhos gerais de burilagem, rebarbação de peças de fundição, perfuração e demolições leves em edifícios e na indústria de construção (**não pregar** sem acoplamentos adequados).

**RRC 13N** – para remoção de escórias de soldadura, ferrugem e pintura de estruturas de aço.

Por razões de fiabilidade do produto e de segurança, qualquer modificação à máquina, às suas ligações ou acessórios deve ser previamente aprovada por um representante técnico autorizado do fabricante.

### RRC 13B

- Ao accionar a máquina para limpar a peça de trabalho à pressão – afaste o escape para longe do operador e dos colaboradores.

## Informações gerais

### DECLARAÇÃO DE CONFORMIDADE DA COMUNIDADE EUROPEIA

Nós da **Atlas Copco Industrial Technique AB**, S-105 23 ESTOCOLMO, SUÉCIA, declaramos que este produto (com nome, tipo e número de série, ver primeira página) está em conformidade com a(s) seguinte(s) Diretiva(s):  
**2006/42/EC**

Normas harmonizadas aplicadas:

**ISO 11148-4**

Arquivo técnico disponível em:

Gerente de Qualidade, Atlas Copco Industrial Technique, Estocolmo, Suécia.

Estocolmo, 1º de julho de 2013.

Tobias Hahn, Diretor Administrativo

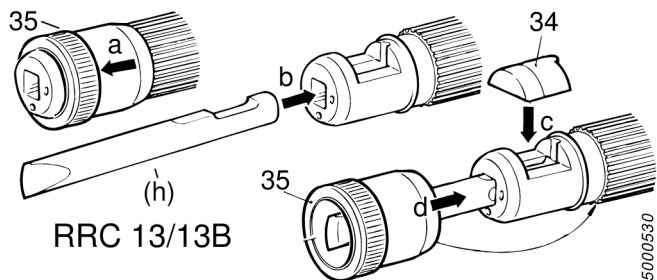


Assinatura do emissor

## Instalação

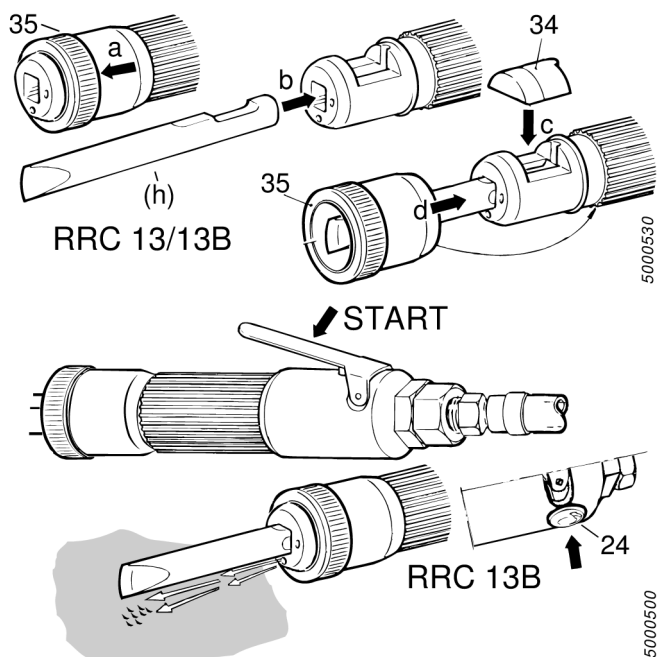
### Instalação

#### RRC 13

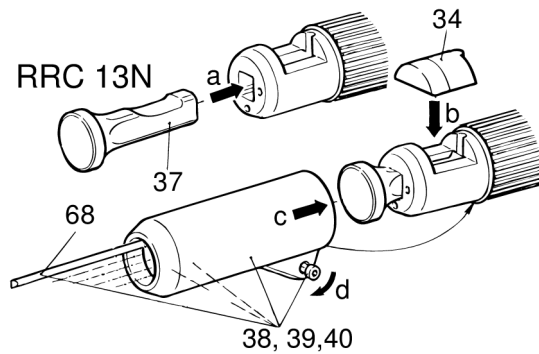


- Instale o escopro (h), ver figura.

#### RRC 13B



- Instale o escopro (h), ver figura.

**RRC 13N**

- Instale o conjunto das agulhas (j; 68), ver figura. Utilize sempre conjuntos completos de agulhas do mesmo comprimento, de modo a assegurar que é atingida a capacidade total de funcionamento da máquina.

**Qualidade do ar**

- Para um desempenho ideal e vida útil máxima do produto, recomendamos o uso de ar comprimido com ponto de condensação máximo de +10°C. Também recomendamos a instalação de um secador de ar Atlas Copco do tipo refrigeração.
- Use um filtro de ar separado do tipo Atlas Copco FIL. Este filtro remove partículas sólidas com mais de 15 microns e mais de 90% da água líquida. O filtro deve ser instalado o mais perto possível da máquina/equipamento e antes de qualquer outra unidade de preparação do ar, tal como uma REG ou DIM (consulte Acessórios da Linha de Ar em nosso catálogo principal). Sobre a mangueira antes de conectá-la.

**Modelos que necessitam de lubrificação por ar:**

- O ar comprimido precisa conter uma pequena quantidade de óleo. Recomendamos com ênfase que você instale um lubrificador de névoa de óleo (DIM) da Atlas Copco. Ele deve ser regulado de acordo com o consumo de ar da ferramenta pneumática de acordo com a seguinte fórmula:

**L** = Consumo de ar (litros).

(Pode ser encontrado em nossa literatura de vendas).

**D** = Número de gotas por minuto (1 gota = 15 mm<sup>3</sup>)

**$L * 0,2 = D$**

aplicável ao uso de ferramentas pneumáticas com ciclo de trabalho longo.

Também pode-se usar um lubrificador monoponto do tipo Atlas Copco Dosol para ferramentas com ciclos de funcionamento curtos.

Informações sobre as configurações do Dosol encontram-se em Acessórios da Linha de Ar, no nosso catálogo principal.

**Modelos sem lubrificação:**

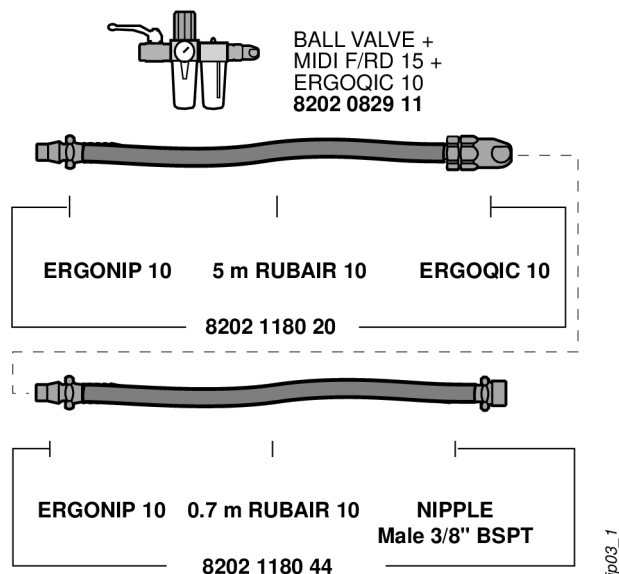
- No caso de ferramentas sem lubrificação, fica a critério do cliente decidir quais os equipamentos periféricos a serem usados. No entanto, não constitui desvantagem se o ar comprimido contiver pequena quantidade de óleo, suprida por um lubrificador de névoa (DIM) ou sistema Dosol. Isto não se aplica a ferramentas turbinadas, que devem ser isentas de óleo.

## Conexão de ar comprimido

- A máquina foi concebida para uma pressão de trabalho (e) de  $6 - 7 = 600 - 700 \text{ kPa} = 6-7 \text{ kp/cm}^2$ .
- Soplar aire por la manguera antes de conectarla.

## Proposta de instalação

A escolha das juntas, magueiras e braçadeiras pode ser trabalhosa devido aos detalhes a serem considerados. Para economizar seu tempo e assegurar a capacidade correta da instalação da linha de ar, do ponto de entrada à ferramenta, nós oferecemos propostas para cada ferramenta.



Para mais onformações, leia o catálogo de Ferramentas Elétricas Industriais Atlas Copco, código 9837 3000 01.

## Manutenção

### Lubrificação

A máquina deve ser lubrificada com cerca de 10 gotas de óleo por cada período de trabalho. O óleo pode ser introduzido na mangueira do ar. Quando a máquina estiver em serviço contínuo, é recomendada a instalação de um lubrificador espalhador de óleo Atlas Copco na rede de ar comprimido. Use lubrificantes de boa qualidade. Os óleos listados na tabela de lubrificação são exemplos de lubrificantes que recomendamos.

### Guia de graxa

| Marca  | Grasa                | Lubricación del aire |
|--------|----------------------|----------------------|
| BP     | Energrease LS-EP2    | Energol E46          |
| Esso   | Beacon EP2           | Arox EP46            |
| Q8     | Rembrandt EP2        | Chopin 46            |
| Mobil  | Mobilegrease XHP 222 | Almo Oil 525         |
| Shell  | Alvania EP2          | Torvcula 32          |
| Texaco | Multifak EP2         | Aries 32             |



| Marca    | Grasa    | Lubricación del aire |
|----------|----------|----------------------|
| Molycote | BR2 Plus |                      |

## Revisão

Se a máquina for usada diariamente, deve ser revista e limpa de seis em seis meses.

O filtro atrás do adaptador (16) deve ser limpo com frequência para impedir estrangulamento, com o resultante decréscimo de capacidade.

## Informação útil



Registre-se na Atlas Copco [www.atlascopco.com](http://www.atlascopco.com)

Você pode encontrar informações sobre nossos produtos, acessórios, peças sobressalentes e matérias publicadas em nosso site.

## Diretrizes ergonômicas

Considere a sua estação de trabalho de acordo com esta lista de diretrizes ergonômicas gerais e veja se consegue identificar áreas de melhoria com relação à postura, posição dos componentes ou ambiente de trabalho.

- Faça intervalos frequentes e altere as posições de trabalho com frequência.
- Adapte a área da estação de trabalho para suas necessidades e para a tarefa de trabalho.
  - Para ajustar uma faixa de alcance conveniente, determine onde as peças ou ferramentas devem ficar para evitar carga estática.
  - Use o equipamento da estação de trabalho, tais como mesas e cadeiras apropriadas para a tarefa de trabalho.
- Evite posições de trabalho acima do nível do ombro ou que exijam segurar de maneira estática durante as operações de montagem.
  - Ao trabalhar acima do nível dos ombros, reduza a carga nos músculos estáticos através da redução do peso da ferramenta, utilizando, por exemplo, braços de torque, carretéis de mangueiras ou compensadores de peso. Você também pode reduzir a carga nos músculos estáticos segurando a ferramenta junto ao corpo.
  - Certifique-se de fazer intervalos frequentes.
  - Evite posturas extremas com o braço ou pulso, especialmente para operações que precisem de um grau de força.
- Ajuste para um campo de visão conveniente minimizando o movimento de olhos e cabeça durante a tarefa de trabalho.
- Use a iluminação adequada para a tarefa de trabalho.
- Selecione a ferramenta adequada para a tarefa de trabalho.
- Use equipamento de proteção para os ouvidos em ambientes barulhentos.
- Use ferramentas de inserto ou peças de consumo de alta qualidade para minimizar a exposição a níveis excessivos de vibração.
- Minimize a exposição a forças de reação.
  - Para cortar:

O disco de corte poderá enroscar se estiver empenado ou não for guiado adequadamente. Verifique se está usando flanges corretos para os discos de corte e evite entortar o disco durante a operação de corte.

- Para perfurar:

A furadeira poderá parar de repente quando a broca penetrar. Use o punho de sustentação se o torque de bloqueio estiver muito alto. A norma de segurança ISO11148, parte 3, recomenda o uso de algum item para absorver o torque de reação maior que 10 Nm para ferramentas com punho de pistola e 4 Nm para ferramentas retas.

- Quando usar apertadeiras ou parafusadeira com acionamento direto:

As forças de reação dependem do ajuste da ferramenta e das características da junta. A capacidade de resistir forças de reação depende da resistência e da postura do operador. Adapte o ajuste do torque de acordo com a resistência e a postura do operador e use um braço tensor ou uma barra de reação se o torque for muito alto.

- Use um sistema de extração de poeira ou máscara de proteção para a boca em ambientes empoeirados.

## País de origem

Consulte as informações na etiqueta do produto.

## Peças sobressalentes

As peças sem número de pedido, assim como as peças incluídas nos kits de Manutenção, não são, por razões técnicas, entregues separadamente.

A utilização de outras peças que não sejam as peças genuínas da Atlas Copco, pode resultar em uma diminuição do desempenho e num aumento da manutenção e pode, segundo opção da empresa, invalidar todas as garantias.

## Garantia

Entre em contato com o representante de vendas da Atlas Copco na sua região para reivindicar a garantia do produto. A garantia só será aprovada se o produto tiver sido instalado, operado e revisado de acordo com as Instruções de Operação.

Por favor, consulte também as condições de entrega, aplicadas pela empresa Atlas Copco local.

## ServAid

ServAid é um utilitário para a prestação de informações sobre o produto atualizado sobre:

- Instruções de segurança
- Instalação, Instruções de Operação e Serviço:
- Visualizações explodidas

ServAid facilita o processo de pedido de peças sobressalentes, ferramentas de serviço e acessórios para o produto de sua escolha. Ela é continuamente atualizada com informações de produtos novos e redesenhados.

Você pode usar a ServAid para apresentar o conteúdo em um idioma específico, contanto que tenham traduções disponíveis, e para exibir informações sobre produtos obsoletos. ServAid oferece uma funcionalidade de pesquisa avançada de nossa completa linha de produtos.

ServAid está disponível em DVD e na web:

<http://servaidweb.atlascopco.com>

Para mais informações entre em contato com o seu representante de vendas Atlas Copco ou através de e-mail:

[servaid.support@se.atlascopco.com](mailto:servaid.support@se.atlascopco.com)

### **Fichas de dados de segurança MSDS/SDS**

As fichas de dados de segurança descrevem os produtos químicos vendidos pela Atlas Copco.

Para obter mais informações, visite o site

<http://www.atlascopco.com/>.

Choose **Products - Safety Data Sheets**, e siga as instruções da página.

## Dados técnicos

### Dados técnicos

#### Ruído e vibração

| <b>Ruído (de acordo com ISO15744)</b> | <b>dB(A)</b> |
|---------------------------------------|--------------|
| Nível de pressão sonora               | 91           |
| Potência de emissão sonora            | 102          |
| Incerteza                             | 3            |

| <b>Valor total de vibração, válido desde 2010<br/>(3 valores de eixo, de acordo com ISO28927-9)</b> | <b>m/s<sup>2</sup></b>      |
|---|-----------------------------|
| Valor de vibração   | 11.5(13) 11.5(13B) 8.1(13N) |
| Incerteza   | 2.7(13) 2.7(13B) 1.8(13N)   |

#### Declaração sobre Ruído & Vibração

Estes valores declarados foram obtidos através de testes efectuados em laboratório, de acordo com os padrões indicados e adequam-se à comparação com valores declarados resultantes de outras ferramentas testadas de acordo com os mesmos padrões. Estes valores declarados não se adequam para utilização em avaliações de risco, sendo que os valores medidos em locais de trabalho possam ser superiores. A valores actuais de exposição e o risco de danos que podem ocorrer num utilizador individual são únicos e dependem da forma como o utilizador trabalha, da peça de trabalho e do design do local de trabalho, assim como do tempo de exposição e da condição física do utilizador.

Nós, **Atlas Copco Industrial Technique AB**, não somos responsáveis pelas consequências do uso do valores declarados, ao invés de valores refletindo a exposição atual, em uma avaliação de risco individual, em um situação de trabalho sobre a qual não temos controle.

Esta ferramenta pode provocar o síndrome de vibração das mãos e braços, caso não seja manuseada de forma adequada. Um guia da UE para gerenciar a vibração da mão e do braço pode ser encontrado acessando-se <http://www.pneurop.eu/index.php> e selecionando-se 'Tools' (Ferramentas) e, em seguida, 'Legislation' (Legislação).

Recomendamos um programa de vigilância médica para detectar atempadamente sintomas, que possam estar relacionados com a exposição à vibração, para que os procedimentos de manuseamento possam ser modificados, por forma a ajudar a evitar prejuízos futuros.



## Istruzioni per l'uso

### *Istruzioni di sicurezza*

#### **Informazioni importanti per un utilizzo sicuro degli utensili a percussione**

Questo manuale aderisce alle Direttive EC per macchinari (2006/42/CE) riguardanti le istruzioni dell'operatore e alle parti rilevanti della norma CEN TC 255 "Utensili portatili ad azionamento non elettrico - Sicurezza" Queste istruzioni riguardano le operazioni, l'impiego della macchina, gli utensili inseriti, le dotazioni e la manutenzione. La mancata osservanza di queste raccomandazioni, adottate da lungo tempo, può comportare gravi rischi.

Assicurarsi che l'operatore abbia capito perfettamente le seguenti raccomandazioni e che esse siano a sua completa disposizione.

△

Fare molta attenzione alle seguenti misure che devono essere adottate dall'operatore al fine di evitare il rischio di uso improprio o di incidenti

#### **Installazione**

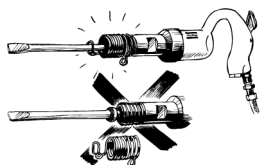
Seguire le istruzioni per la preparazione dell'aria fornite con le istruzioni scritte allegate alla macchina. Quando si consiglia la lubrificazione - impiegare soltanto i lubrificanti raccomandati.

Controllare le dimensioni del tubo e la pressione dell'aria. Evitare il rischio di far vibrare il tubo flessibile - controllare periodicamente il tubo, il suo fissaggio e lo stato della fascetta stringitubo.

Controllare che l'aria di scarico sia diretta in modo da evitare che la polvere o l'aria proveniente dal pezzo lavorato soffino addosso all'operatore o ad altre persone. Se è possibile, creare barriere. Quando è necessario, impiegare un tubo di scarico, completandolo con un collettore per polvere.

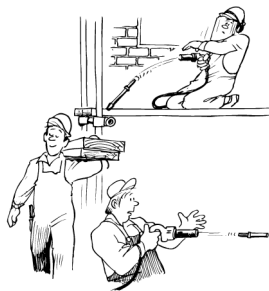
#### **Evitare gli infortuni durante l'utilizzo dell'utensile**

***1 Lo scalpello, lo stampo o il punzone possono uscire dalla bussola di guida e cadere o possono essere proiettati violentemente dall'utensile a percussione provocando seri danni.***



#### **Per prevenire infortuni provocati da uno scalpello espulso violentemente:**

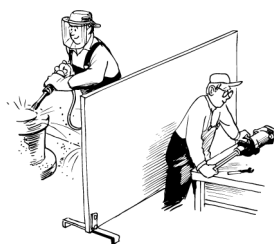
- utilizzare il trattenitore a molla
- controllare ad intervalli regolari che il trattenitore a molla non sia usurato o danneggiato



e:

- prestare particolare attenzione affinché lo scalpello non si rompa a causa di uno sforzo eccessivo
- non avviare l'utensile se lo scalpello non è premuto contro il pezzo da lavorare.
- una volta terminato il lavoro, togliere lo scalpello, lo stampo o il punzone dall'utensile.
- prima di sostituire un accessorio - uno scalpello o uno stampo - disinserire l'utensile dalla rete di aria compressa.
- rilasciare il dispositivo di azionamento o arresto in caso di interruzione di corrente.
- una volta terminato un lavoro, disinserire l'utensile dalla rete di aria compressa.

## **2 Prevenire che schegge o scaglie colpiscano un occhio oppure un altro lavoratore.**



### **Per prevenire danni alla vista:**

- indossare sempre occhiali protettivi.
- isolare i lavori di questo tipo utilizzando schermi tra i diversi posti di lavoro.
- non utilizzare l'utensile per scopi diversi da quelli per i quali è stato concepito.

### **3 Prevenire lesioni personali utilizzando:**

- guanti
- scarpe anti-infortunistiche
- elmetto
- indossare sempre occhiali protettivi.

#### 4 Prevenire scintille in atmosfere esplosive



Per prevenire ustioni e danni materiali dovuti ad incendi:

- adottare altre tecniche
- utilizzare accessori di materiale anti-scintille (come un utensile ad aghi di rame berillio per scrostatore ad aghi).

#### 5 Eventuali scosse elettriche possono risultare fatali

- non utilizzare lo scalpello in prossimità di muri o pareti contenenti cavi elettrici.

#### Rischi a lungo termine connessi all'utilizzo dell'utensile

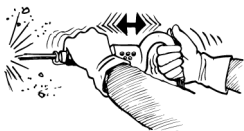
##### 6 Indossare sempre cuffie protettive



Per prevenire la perdita graduale delle capacità uditive a causa di una lunga esposizione ad alti livelli di rumore:

- indossare sempre cuffie protettive.

##### 7 Le vibrazioni possono risultare nocive per le mani e le braccia



- utilizzare utensili a vibrazioni smorzate, se disponibili.
- ridurre il tempo totale di esposizione alle vibrazioni, in modo particolare se l'operatore deve condurre lo scalpello manualmente.

##### 8 La polvere generata dall'utensile può risultare nociva

- utilizzare un aspiratore oppure un apparato respiratorio

#### Uso e manutenzione corretti

##### 9 Non far funzionare a vuoto l'utensile a percussione

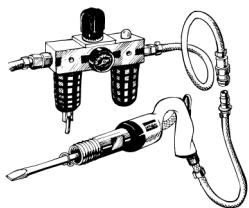


- colpi a vuoto e sollecitazioni interne riducono la durata dell'utensile



- se il trattenitore a molla non è in ordine, prestare particolare attenzione ai rischi di espulsione violenta di scalpello, punzone o stampo

## 10 Attacchi rapidi



- se per collegare l'utensile alla rete dell'aria compressa si utilizza un attacco rapido, esso deve essere separato dall'utensile mediante un tubo flessibile (lunghezza 0,5 m)

## 11 Manutenzione

Osservando le istruzioni per la lubrificazione, la manutenzione e la revisione fornite dal fabbricante, si ottiene un'ottima durata operativa e un funzionamento affidabile della macchina.

**Installare esclusivamente corredi di sostituzione e ricambi originali Atlas Copco.**

## Attenzione

Assicurarsi di avere appreso bene le istruzioni per l'uso prima di operare con questa macchina.

Questa macchina, i suoi attrezzi e i suoi accessori devono essere usati esclusivamente per gli impieghi ai quali sono destinati:

- Lavori generali di scalpellatura e disincrostazione, asportazione di bave nelle fonderie, perforazioni e demolizioni leggere nel settore edilizio ( non per l'inchiodatura senza attrezzi appropriati speciali).

**RRC 13N** – per rimuovere scorie di saldatura, ruggine e vernice da strutture da acciaio.

Per motivi di sicurezza e di responsabilità, ogni modifica della macchina e dei suoi accessori deve essere approvata da un rappresentante tecnico autorizzato della casa costruttrice.

## RRC 13B

- Se si usa l'aria di scarico dell'attrezzo per pulire il pezzo in lavorazione, far attenzione di dirigere l'aria in senso opposto a quello dell'operatore o aiutanti.

## Informazioni generali

### DICHIARAZIONE CE DI CONFORMITÀ

Atlas Copco Industrial Technique AB, S-105 23 STOCCOLMA, SVEZIA dichiara che il prodotto (del tipo e con il numero di serie riportati nella pagina a fronte) è conforme alle seguenti Direttive:

**2006/42/EC**

Norme armonizzate applicate:

**ISO 11148-4**

Documentazione tecnica disponibile presso:  
 Responsabile qualità, Atlas Copco Industrial Technique, Stoccolma, Svezia  
 Stoccolma, 01.07.13

**Tobias Hahn, Direttore generale**

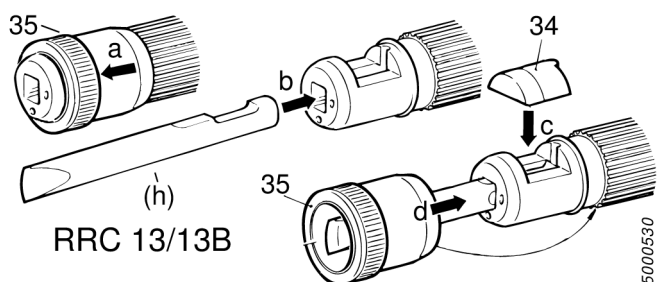


Firma del dichiarante

## Installazione

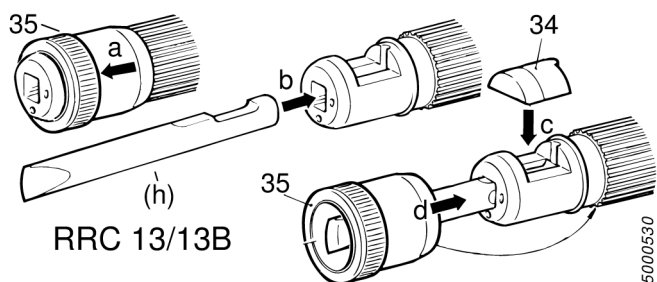
### Installazione

#### RRC 13

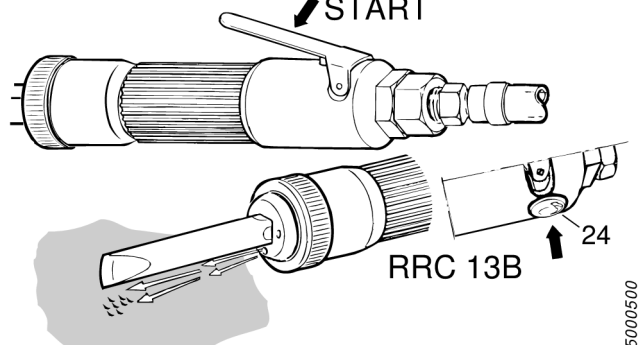


- Installare lo scalpello (h), vedere figura.

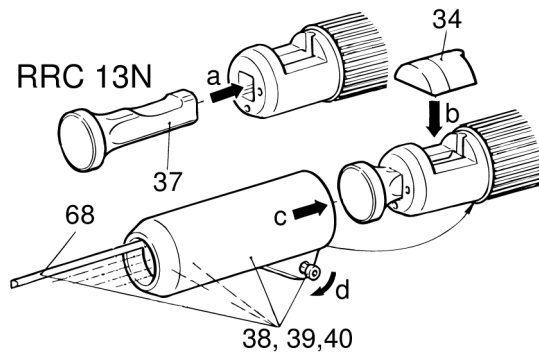
#### RRC 13B



START



- Installare lo scalpello (h), vedere figura.

**RRC 13N**

- Installare il set ago (j; 68), vedere figura.  
Utilizzare sempre set completi di aghi della stessa lunghezza per garantire la massima capacità di funzionamento dell'utensile.

**Qualità dell'aria**

- Per ottenere prestazioni ottimali e prolungare al massimo la vita della macchina, si consiglia di utilizzare aria compressa con un punto di rugiada massimo pari a +10°C. Si raccomanda inoltre di installare un essiccatore-refrigeratore d'aria di Atlas Copco.
- Utilizzare un filtro dell'aria separato di tipo Atlas Copco FIL, che rimuova i corpi solidi di grandezza superiore a 15 micron e oltre il 90% dell'acqua. Esso deve essere installato il più vicino possibile alla macchina e a monte di qualsiasi altra unità di trattamento dell'aria come REG o DIM (vedere Accessori per il trattamento dell'aria nel nostro catalogo principale). Pulire il tubo flessibile tramite soffiatura prima di collegarlo.

**Modelli che richiedono lubrificazione ad aria:**

- L'aria compressa deve contenere una piccola quantità d'olio. Si raccomanda di installare un lubrificatore a nebbia d'olio Atlas Copco (DIM), impostato in funzione del consumo d'aria dell'utensile pneumatico in base alle seguente formula:

$L =$  Consumo aria (litri/s).

(Disponibile nella nostra letteratura di vendita).

$D =$  Numero di gocce al minuto (1 goccia = 15 mm<sup>3</sup>)

$L * 0,2 = D$

ciò si applica all'utilizzo di utensili pneumatici in cicli di funzionamento prolungati. Nel caso di cicli di funzionamento più brevi, è possibile utilizzare un lubrificatore monopunto Atlas Copco tipo Dosol.

Per la regolazione dell'unità Dosol, vedere Accessori per linee d'aria nel nostro catalogo principale.

**Modelli non lubrificati:**

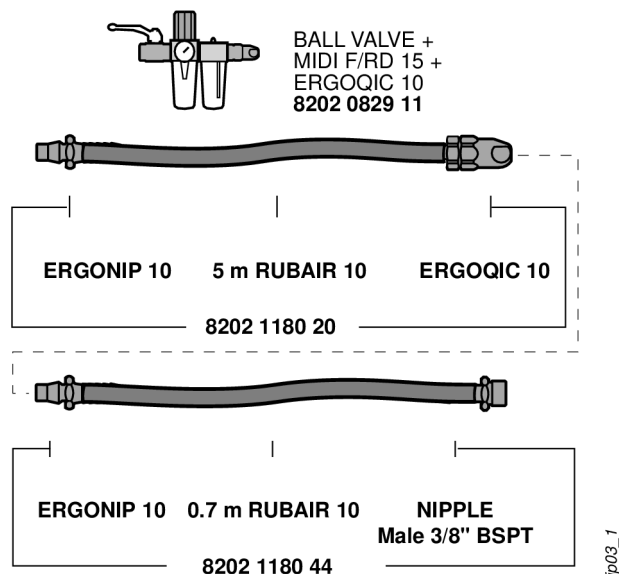
- Nel caso di utensili non lubrificati, sarà il cliente a scegliere le apparecchiature periferiche da utilizzare. Tuttavia, l'eventuale presenza di piccole quantità d'olio nell'aria compressa, fornita ad esempio da un lubrificatore a nebbia d'olio (DIM) o da un sistema Dosol, non è un problema. Gli utensili a turbina fanno eccezione, in quanto devono essere mantenuti privi d'olio.

## Connessione dell'aria compressa

- L'utensile è stato progettato per una pressione di esercizio massima (e) di 6–7 bar = 600–700 kPa = 6–7 kp/cm<sup>2</sup>.
- Prima di collegare il flessibile, pulirlo con aria.

## Proposta d'installazione

Scegliere i raccordi, i flessibili e i morsetti giusti nel dettaglio può essere difficile. Per risparmiare tempo e assicurare il corretto dimensionamento dell'impianto pneumatico, dal punto di erogazione all'attrezzo, proponiamo installazioni personalizzate per ogni attrezzo.



Per ulteriori informazioni, leggere il catalogo degli Utensili elettrici industriali Atlas Copco, Nr. d'ordine 9837 3000 01.

## Manutenzione

### Lubrificazione

Lubrificare l'attrezzo una volta per turno di lavoro, con circa 10 gocce d'olio, che si possono versare sia nel tubo flessibile che nel raccordo di alimentazione. Se l'utensile è in servizio continuo, si raccomanda di installare un lubrificatore a nebbia d'olio Atlas Copco. Impiegare lubrificanti di buona qualità. Gli oli elencati nella tabella dei lubrificanti sono alcuni tra quelli raccomandati.

Usate grasso di buona qualità. I grassi segnalati nella tabella sono tutti di tipo consigliato.

### Guida alla scelta del grasso

| Marca | Grasso               | Lubrificazione |
|-------|----------------------|----------------|
| BP    | Energrease LS-EP2    | Energol E46    |
| Esso  | Beacon EP2           | Arox EP46      |
| Q8    | Rembrandt EP2        | Chopin 46      |
| Mobil | Mobilegrease XHP 222 | Almo Oil 525   |
| Shell | Alvania EP2          | Torvcula 32    |

| Marca    | Grasso       | Lubrificazione |
|----------|--------------|----------------|
| Texaco   | Multifak EP2 | Aries 32       |
| Molycote | BR2 Plus     |                |

## Revisione

Se l'utensile viene usato tutti i giorni esso va revisionato e pulito ogni sei mesi.

Il filtro situato all'interno dell'attacco (16) va pulito spesso, in modo da evitarne l'intasamento e la riduzione di potenza che ne consegue.

## Informazioni utili



Eseguire l'accesso a Atlas Copco [www.atlascopco.com](http://www.atlascopco.com)

Il nostro sito web offre informazioni sui prodotti, gli accessori, le parti di ricambio e le pubblicazioni.

## Linee guida ergonomiche

Osservare la stazione di lavoro durante la lettura delle presenti linee guide ergonomiche generali per individuare eventuali aree di miglioramento relative alla postura dell'operatore, alla collocazione dei componenti o all'ambiente di lavoro.

- Fare frequenti interruzioni e cambiare spesso la posizione di lavoro.
- Adattare la zona della stazione di lavoro secondo le proprie necessità e il lavoro svolto.
  - Regolare un intervallo di distanza comodo da raggiungere determinando dove collocare pezzi e utensili, per evitare il carico statico.
  - Utilizzare l'attrezzatura della stazione di lavoro come tavoli o sedie adatte al lavoro svolto.
- Evitare posizioni di lavoro sopra il livello della spalla o con tenuta statica durante le operazioni di assemblaggio.
  - Lavorando sopra il livello della spalla, ridurre il carico sui muscoli statici diminuendo il peso dell'utensile, utilizzando per esempio bracci a torsione, avvolgitubo o bilanciatori del peso. Il carico sui muscoli statici può inoltre essere ridotto tenendo l'utensile in prossimità del corpo.
  - Verificare di fare frequenti interruzioni.
  - Evitare posizioni estreme del braccio o del polso, in particolare per le operazioni che richiedono una certa forza.
- Regolare il campo di visione perché sia comodo minimizzando il movimento degli occhi e del capo durante l'attività lavorativa.
- Utilizzare un'illuminazione adeguata per il lavoro svolto.
- Scegliere l'utensile corretto per il lavoro svolto.
- Utilizzare protezioni acustiche in ambienti rumorosi.
- Utilizzare utensili o materiali di consumo di elevata qualità per ridurre al minimo l'esposizione a livelli eccessivi di vibrazioni.
- Minimizzare l'esposizione a forze di reazione.
  - Durante il taglio:

Un disco da taglio può incastrarsi se è piegato o non è condotto correttamente. Verificare di utilizzare flange adatte per dischi da taglio ed evitare di piegare il disco durante l'operazione di taglio.

- Durante la perforazione:

Il trapano può bloccarsi mentre la punta sta forando. Accertarsi di usare impugnature di supporto se la coppia di stallo è troppo elevata. Lo standard di sicurezza ISO11148 parte 3 raccomanda di prendere dei provvedimenti per assorbire la coppia di reazione che sia superiore a 10 Nm per gli utensili a pistola e 4 Nm per gli utensili diritti.

- Quando si utilizzano utensili a trasmissione diretta o avvitadadi:

Le forze di reazione dipendono dall'impostazione dell'utensile e dalle caratteristiche del giunto. La capacità di sostenere forze di reazione dipende dalla resistenza e dalla postura dell'operatore. Adattare l'impostazione dell'utensile alla resistenza e alla postura dell'operatore e utilizzare un braccio a torsione o barra di reazione se la coppia è troppo elevata.

- In ambienti polverosi, utilizzare un sistema di estrazione della polvere o una maschera per la protezione della bocca.

## Paese di origine

Fare riferimento alle informazioni sull'etichetta del prodotto.

## Ricambi

Per motivi tecnici, i ricambi senza numero di ordinazione non vengono spediti separatamente come i ricambi inclusi nei kit di assistenza.

L'uso di ricambi non originali Atlas Copco può compromettere le prestazioni e comportare maggiori interventi di manutenzione nonché invalidare tutte le garanzie, a discrezione dell'azienda.

## Garanzia

Contattare il rappresentante Atlas Copco della propria zona per presentare reclami in merito a un prodotto. La garanzia verrà approvata solo se il prodotto è stato installato, utilizzato e revisionato secondo le Istruzioni di funzionamento.

Vedere anche le condizioni di fornitura applicate dal distributore locale Atlas Copco.

## ServAid

ServAid è un'utilità che permette di ottenere informazioni aggiornate sul prodotto riguardanti:

- Istruzioni di sicurezza
- Istruzioni su installazione, funzionamento e assistenza
- Viste esplose

ServAid semplifica il processo di ordinazione di ricambi, utensili di manutenzione e accessori per il prodotto scelto. L'utilità è continuamente aggiornata con informazioni su prodotto nuovi e riprogettati.

Con ServAid è possibile presentare contenuti in una lingua specifica, a condizione che siano disponibili traduzioni e visualizzare informazioni su prodotti obsoleti. ServAid offre una funzionalità di ricerca avanzata per l'intera gamma di prodotti Atlas Copco.

ServAid è disponibile in DVD e sul Web:

<http://servaidweb.atlascopco.com>

Per ulteriori informazioni, contattare il proprio rappresentante Atlas Copco oppure scrivere una mail a:

[servaid.support@se.atlascopco.com](mailto:servaid.support@se.atlascopco.com)

### **Schede informative in materia di sicurezza MSDS/SDS**

Le schede informative in materia di sicurezza descrivono i prodotti chimici commercializzati da Atlas Copco.

Per ulteriori informazioni, consultare il sito web

<http://www.atlascopco.com/>.

Scegli **Prodotti - Schede informative**, e seguire le istruzioni sulla pagina.

## Dati tecnici

### *Dati tecnici*

#### Rumore e di vibrazioni

| <b>Emissioni acustiche (conformi a ISO15744)</b> | <b>dB(A)</b> |
|--|--------------|
| Livello della pressione acustica                 | 91           |
| Livello di potenza acustica                      | 102          |
| Incertezza                                       | 3            |

| <b>Valore vibratorio totale, valido dal 2010<br/>(valore dei 3 assi conforme a ISO28927-9)</b> | <b>m/s<sup>2</sup></b>      |
|--|-----------------------------|
| Valore delle vibrazioni  | 11.5(13) 11.5(13B) 8.1(13N) |
| Incertezza   | 2.7(13) 2.7(13B) 1.8(13N)   |

#### Dichiarazione su vibrazioni e rumorosità

I valori qui dichiarati sono stati ottenuti mediante test eseguiti in laboratorio conformemente alla direttiva o agli standard indicati e sono idonei al raffronto con i valori dichiarati di altri utensili testati in conformità alla medesima direttiva o standard. I valori qui dichiarati non sono adeguati a un utilizzo per la valutazione del rischio e i valori misurati nei singoli luoghi di lavoro potrebbero essere più elevati. I valori di esposizione effettivi e il rischio di lesioni per ogni singolo operatore sono unici e dipendono dal modo in cui lavora l'operatore, dal pezzo e dalla struttura della stazione di lavoro, nonché dai tempi di esposizione e dalle condizioni fisiche dell'operatore.

**Atlas Copco Industrial Technique AB** non può essere ritenuta responsabile per le conseguenze derivanti dall'utilizzo dei valori dichiarati, invece di valori che riflettono l'esposizione effettiva, in una valutazione del rischio individuale in una situazione lavorativa sulla quale Atlas non ha alcun controllo.

Se non utilizzato in modo idoneo, questo utensile può provocare la sindrome da vibrazioni mano-braccio. Per consultare una guida UE sulle vibrazioni trasmesse a mani/braccia, accedere al sito <http://www.pneurop.eu/index.php> e selezionare 'Tools' (Strumenti) quindi 'Legislation' (Normative).

Si raccomanda l'adozione di un programma di controllo sanitario finalizzato a individuare i primi sintomi di un'eventuale esposizione alle vibrazioni, affinché sia possibile modificare le procedure di gestione e aiutare a prevenire disabilità significative.





# Veiligheids- en bedienings-voorschriften

## Veiligheidsinstructies

### Belangrijke informatie voor een veiliger gebruik van slaande gereedschappen

Deze handleiding volgt de EG-Richtlijn voor machines (2006/42/EG) m.b.t. instructies voor bedieners en de desbetreffende delen van normen uit CEN TC 255 "Niet-elektrisch aangedreven gereedschappen – Veiligheid". Deze instructies betreffen de bediening, de behandeling van de machine, het inzetgereedschap en de uitrusting alsook het onderhoud. Deze aanbevelingen hebben hun waarde bewezen. Ze niet in acht nemen, kan ernstige gevaren met zich meebrengen.

Zorg ervoor dat de bediener de volgende aanbevelingen volledig heeft begrepen en ze ongehinderd kan raadplegen.



schenk bijzondere aandacht aan de volgende maatregelen die de bediener in acht moet nemen om risico's van verkeerd gebruik of ongeval te vermijden

### Installatie

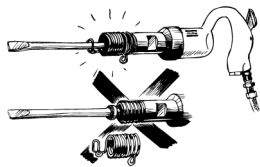
Volg voor de behandeling van de lucht de aanwijzingen uit de schriftelijke instructies die met de machine worden meegeleverd. Gebruik alleen de aanbevolen smeermiddelen wanneer smering is aanbevolen.

Controleer de slangafmeting en de luchtdruk. Vermijd het risico dat de slang gaat rondslingeren – controleer geregeld de staat van de slang, de slangkoppeling en de staat van de klem.

Controleer of de uitlaatlucht zo gericht is dat er geen stof of lucht vanaf het werkstuk op de bediener of op andere personen kan worden geblazen. Breng indien mogelijk schermen aan. Monteer een slang op de uitlaat en zuig het stof af indien nodig.

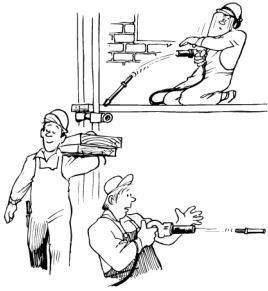
### Voorkom ongelukken bij het gebruik van deze machine

**1 De beitel, het freesje of de doorslag kan per ongeluk uit het gereedschap vallen of er uit schieten en daardoor ernstig letsel veroorzaken.**



**Om letsels door een losschietende beitel te voorkomen dient u:**

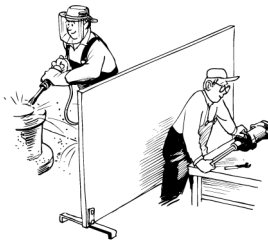
- altijd een beitelhouder te gebruiken
- de beitelhouder regelmatig te controleren op slijtage of schade



en:

- te weten dat de beitel kan breken tijdens de bewerking wegens vermoeidheid
- de drukknop alleen te gebruiken als de machine tegen het te bewerken materiaal wordt gedrukt
- de beitel, het freesje of de doorslag uit het gereedschap te verwijderen als het werk klaar is
- de luchtverbinding te ontkoppelen alvorens hulpstukken, de beitel, het freesje of de doorslag te vervangen
- de start/stop-bediening (de drukknop) los te laten in geval van onderbreking van de energietoevoer
- de luchtverbinding te ontkoppelen als het werk met het gereedschap is afgelopen

**2 Voorkom dat wegspringende vonken of deeltjes in uw ogen of in die van anderen terecht kunnen komen.**



**Om oogletsel te voorkomen, dient u:**

- altijd een veiligheidsbril te dragen
- schotten tussen werkstations te plaatsen om het risico van dit soort werk voor anderen te verminderen
- het gereedschap alleen te gebruiken voor werkzaamheden waarvoor het bestemd is

**3 Voorkom andere letsels door:**

- werkhandschoenen
- veiligheidsschoenen
- en een helm te dragen
- altijd een veiligheidsbril te dragen

#### 4 Explosiegevaarlijke omgevingen mogen niet worden ontstoken



Om letsel en materiaalverlies door brand te voorkomen, dient u:

- een andere techniek te gebruiken
- hulpstukken van vonkvrij materiaal te gebruiken (b.v. de berylliumkoperen naaldenset voor een naaldenbikhamer)

#### 5 Een elektrische schok kan fataal zijn

- vermijd het gereedschap te gebruiken op plaatsen waar elektrische bedrading verborgen zit in muren enz.

### Risico's op langere termijn bij het gebruik van deze machine

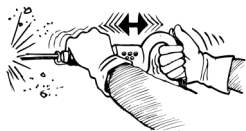
#### 6 Draag altijd oorbeschermers



Draag oorbeschermers

- om geleidelijke achteruitgang van het gehoor te voorkomen wegens blootstelling aan hoge geluidsniveaus.

#### 7 Trillingen kunnen schadelijk zijn voor handen en armen



- gebruik gereedschappen met trillingsdemping indien beschikbaar
- beperk het langdurig werken met trillende handgereedschappen, vooral als de bediener de beitel met de hand moet geleiden

#### 8 Tijdens de bewerking opgewekt stof kan gevaarlijk zijn.

- gebruik plaatselijke afzuiging of een ademhalingstoestel

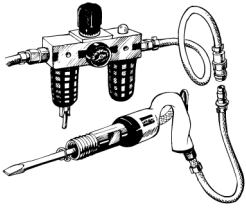
### Correct gebruik en onderhoud

#### 9 Voorkom dat de hamer onnodig onbelast draait, want



- dit veroorzaakt hoge inwendige spanningen en verkort de levensduur van het gereedschap
- weet dat er risico is dat de beitel, het freesje of de doorslag uitschiet als de beitelhouder niet in orde is.

## 10 Snelkoppeling



- bij gebruik van een slaand gereedschap dient u tussen het gereedschap en deze koppeling een slang te monteren van 0,5 m.

## 11 Onderhoud

Een goede levensduur en een veilige werking worden verkregen door de instructies voor smering, onderhoud en revisie die met de machine worden meegeleverd, te volgen.

**Gebruik enkel originele Atlas Copco-servicesets en onderdelen.**

## Waarschuwing

Zorg ervoor vertrouwd te zijn met de bedieningsinstructies alvorens deze machine te bedienen.

Deze machine, de hulpstukken en het toebehoren mogen alleen worden gebruikt voor het doel waarvoor ze werden ontworpen:

- Algemeen hak- en bikwerk, afbramen en schoonkrabben van gietwerk in gieterijen, het maken van openingen en licht afbraakwerk in de bouwnijverheid (**niet voor nagelen** zonder de passende hulpstukken).

**RRC 13N** – voor het verwijderen van lasslak, roest en verf van stalen structuren.

Om redenen van produktaansprakelijkheid en veiligheid moeten alle wijzigingen aan de machine, de hulpstukken of het toebehoren op voorhand door een erkende technische vertegenwoordiger van de fabrikant worden goedgekeurd.

## RRC 13B

- Als u de machine gebruikt om het werkstuk schoon te blazen, richt dan de uitlaatlucht weg van de bediener en de andere mensen in de buurt.

## Algemene informatie

### EU-VERKLARING VAN OVEREENSTEMMING

Wij, **Atlas Copco Industrial Technique AB**, S-105 23 STOCKHOLM, SWEDEN verklaren dat het product (met naam, type- en serienummer, zie voorpagina) in overeenstemming is met de volgende norm(en):

**2006/42/EC**

De volgende geharmoniseerde normen werden gehanteerd:

**ISO 11148-4**

Technisch bestand verkrijgbaar bij:

Quality Manager, Atlas Copco Industrial Technique, Stockholm, Sweden

Stockholm, 1 juli 2013

Tobias Hahn, Managing Director

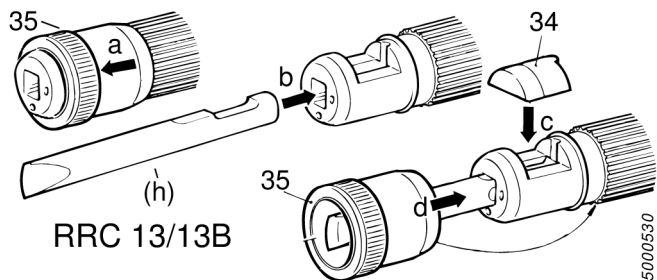


Handtekening van de opsteller

**Installatie**

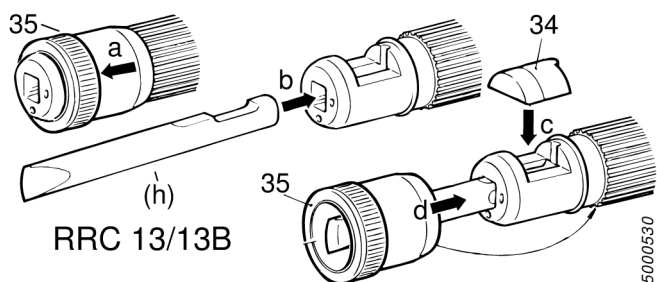
**Installatie**

**RRC 13**

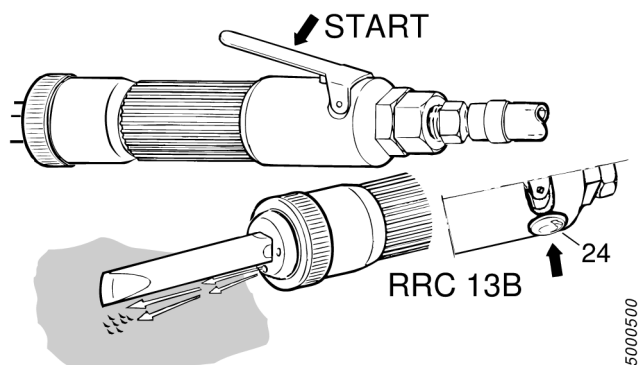


- Breng de beitel (h) aan, zie Fig.

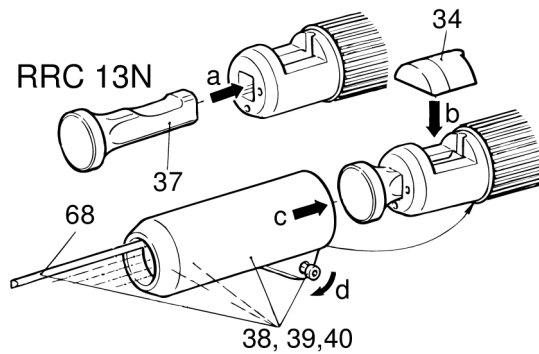
**RRC 13B**



- Breng de beitel (h) aan, zie Fig.



- Breng de beitel (h) aan, zie Fig.

**RRC 13N**

- Breng de naaldenset (j; 68) aan, zie Fig.  
Gebruik altijd complete naaldensets van dezelfde lengte om ervoor te zorgen dat de volledige capaciteit van de machine kan worden gebruikt.

**Luchtkwaliteit**

- Voor optimale prestaties en een maximale levensduur van de machine raden wij het gebruik van perslucht met een maximaal dauwpunt van +10°C aan. Ook de installatie van een Atlas Copco luchtdroger van koelingtype wordt aanbevolen.
- Gebruik een afzonderlijk luchtfilter van het type Atlas Copco FIL. Dit verwijdert vaste deeltjes groter dan 15 micron en meer dan 90% van vloeibaar water. Monteer het filter zo dicht mogelijk bij de machine, vóór enige andere unit voor het prepareren van lucht zoals REG of DIM (zie a.u.b. Luchtleidingsaccessoires in onze hoofdcatalogus). Blaas de slang uit alvorens deze aan te sluiten.

**Modellen die luchtsmering nodig hebben:**

- De perslucht moet een kleine hoeveelheid olie bevatten. Wij raden u sterk aan een DIM olienevelaar van Atlas Copco te installeren. Deze moet worden ingesteld op luchtgebruik via het luchtleidingsgereedschap, conform de volgende formule:

**L** = Luchtverbruik (liter/s).

(Is te vinden in onze verkoopliteratuur).

**D** = Aantal druppels per min. (1 druppel = 15 mm<sup>3</sup>)

**$L * 0,2 = D$**

dit geldt voor het gebruik van luchtleidingsgereedschappen met lange draaicycli. Voor gereedschappen met korte draaicycli kan er ook een Atlas Copco eenpuntssmeertoestel van het type Dosol gebruikt worden. Informatie over Dosol-instellingen is te vinden onder Luchtleidingsaccessoires in onze hoofdcatalogus.

**Smeringsvrije modellen:**

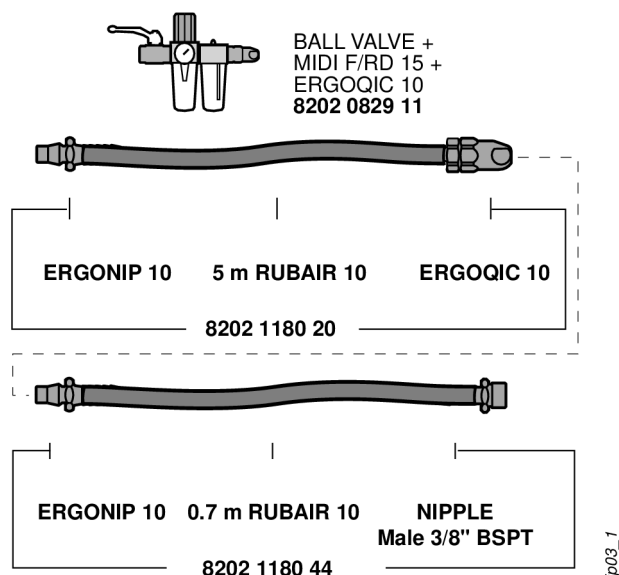
- Bij smeringsvrije gereedschappen is het aan de klant om te bepalen welke randapparatuur er zal worden gebruikt. Maar het is niet ongunstig wanneer de perslucht een kleine hoeveelheid olie, bijv. geleverd vanuit een DIM olienevelaar of Dosol-systeem, bevat. Dit is niet van toepassing op turbinegereedschappen, die vrij van olie moeten blijven.

## Persluchtaansluiting

- Het gereedschap is ontworpen voor een bedrijfsdruk (e) van 6 – 7 bar = 600 – 700 kPa = 6 – 7 kg/cm<sup>2</sup>.
- Blaas de slang uit alvorens hem aan te sluiten.

## Installatieplan

Het kiezen van de juiste koppelingen, slang en klemmen kan een lastige klus zijn, doordat je je in de details moet verdiepen. Wij doen u voor ieder gereedschap een installatievoorstel, zodat u én tijd bespaart én van een juiste capaciteit van de luchtleidingsinstallatie, vanaf het aftakpunt tot aan het gereedschap, bent gegarandeerd.



Raadpleeg voor meer informatie de catalogus Industriële elektrische gereedschappen van Atlas Copco, bestelnr. 9837 3000 01.

## Onderhoud

### Smering

De machine dient eenmaal per ploeg gesmeerd te worden met ongeveer 10 druppels olie. De olie mag direct in de luchtslang worden gedruppeld. Wanneer de machine continu werkt, is de installatie van een Atlas Copco-olienevelsmeertoestel in de persluchtleiding aan te bevelen.

Gebruik smeermiddelen van goede kwaliteit. De oliën die vermeld zijn in de tabel zijn voorbeelden van aanbevolen smeermiddelen.

### Smeergids

| Merk  | Vet                  | Luchtsmeeren |
|-------|----------------------|--------------|
| BP    | Energrease LS-EP2    | Energol E46  |
| Esso  | Beacon EP2           | Arox EP46    |
| Q8    | Rembrandt EP2        | Chopin 46    |
| Mobil | Mobilegrease XHP 222 | Almo Oil 525 |
| Shell | Alvania EP2          | Torvcula 32  |



| Merk     | Vet          | Luchtsmeeren |
|----------|--------------|--------------|
| Texaco   | Multifak EP2 | Aries 32     |
| Molycote | BR2 Plus     |              |

## Revisie

Als de machine elke dag wordt gebruikt, moet zij om de zes maanden worden gereviseerd en gereinigd.

Het filter de adaptor (16) dient dikwijls schoongemaakt te worden om verstopping te voorkomen met een daaruitvloegende vermindering van capaciteit.

## Nuttige informatie



Meld u aan op Atlas Copco [www.atlascopco.com](http://www.atlascopco.com)

Informatie over onze producten, accessoires, reserveonderdelen en publicaties vindt u op onze website.

## Ergonomische richtlijnen

Denk aan uw werkstation als u deze lijst met algemene ergonomische richtlijnen leest en bekijk of er verbeterpunten zijn als het gaat om uw houding, de plaatsing van onderdelen of uw werkomgeving.

- Neem van tijd tot tijd een andere houding aan en pauzeer regelmatig.
- Pas uw werkplek aan op uw behoeften en op het project waaraan u werkt.
  - Voorkom statische bewegingen. Zorg dat al uw benodigdheden goed bereikbaar zijn en bepaal de juiste positie voor onderdelen en gereedschappen.
  - Gebruik op uw werkplek tafels en stoelen die geschikt zijn voor het project waar u aan werkt.
- Werk niet boven schouder niveau en werk niet constant in dezelfde houding.
  - Als u toch boven het schouder niveau werkt, kunt u overbelasting van uw spieren voorkomen door het gewicht van het gereedschap te ondersteunen met bijvoorbeeld koppelsteunen, slanghaspels of stabilisatoren. U kunt overbelasting van uw spieren voorkomen door het gereedschap dicht bij het lichaam vast te houden.
  - Pauzeer regelmatig.
  - Draai uw armen of polsen niet in een extreme houding, met name wanneer u werkzaamheden uitvoert die enige kracht vergen.
- Beperk de beweging van uw ogen en hoofd tijdens het uitvoeren van de werkzaamheden door een goed gezichtsveld te creëren.
- Zorg voor goed licht tijdens het uitvoeren van de werkzaamheden.
- Selecteer het juiste gereedschap voor de werkzaamheden.
- Gebruik oorbeschermers als u in een omgeving met veel lawaai werkt.
- Gebruik hoogwaardige inzetstukken of verbruiksartikelen om blootstelling aan excessieve trillingen tot een minimum te beperken.
- Minimaliseer de blootstelling aan reactiekracht.
  - Tijdens het snijden:

Een snijwiel kan vast komen te zitten als het wiel verbogen is of niet goed geleid wordt. Gebruik de juiste flenzen voor de snijwielen en voorkom het verbuigen van het wiel gedurende het snijden.

- Tijdens het boren:

De boor kan stoppen als de boorkop door het materiaal gaat. Gebruik altijd de ondersteuningshandgreep als het stilstandkoppel te hoog is. In veiligheidsnorm ISO11148 deel 3 wordt aanbevolen een koppelreactie boven 10 Nm te absorberen voor gereedschappen met pistoolhandgreep en boven 4 Nm voor rechte gereedschappen.

- Als direct aangedreven schroef- of moeraanzetters worden gebruikt:

De reactiekracht is afhankelijk van de instellingen van het gereedschap en de eigenschappen van de verbinding. De mogelijkheid om reactiekracht te weerstaan is afhankelijk van de kracht en het postuur van de bediener. Pas de koppelinstelling aan op de kracht en het postuur van de bediener en gebruik een koppelsteun of een reactiebalk als het koppel te hoog is.

- Gebruik in een omgeving met veel stof stofafzuiging of een stofmasker.

## Land van oorsprong

Raadpleeg de informatie op het productlabel.

## Reserveonderdelen

Stukken zonder ordernummer worden om technische redenen niet afzonderlijk geleverd maar zitten in de servicekits.

Het gebruik van andere dan originele Atlas Copco-reserveonderdelen kan nadelig zijn voor de prestaties en kan meer onderhoudswerk met zich mee brengen; de onderneming kan in geval van een garantieaanspraak ook beslissen dat alle waarborgen vervallen.

## Garantie

Neem contact op met het Atlas Copco-verkooppunt in uw regio om een claim in te dienen voor een product. De garantie is uitsluitend van toepassing indien het product is geïnstalleerd, gebruikt en gereviseerd in overeenstemming met de gebruiksaanwijzing.

Zie a.u.b. tevens de leveringsvoorwaarden als toegepast door de plaatselijke vestiging van Atlas Copco.

## ServAid

ServAid is een programma dat de recentste productinformatie biedt, zoals:

- Veiligheidsinstructies
- Installatie, gebruik en onderhoud
- Gedetailleerde overzichten

ServAid faciliteert het bestellen van reserveonderdelen, onderhoudsgereedschappen en accessoires voor het product van uw keuze. Dit programma wordt doorlopend voorzien van de recentste informatie over nieuwe en gewijzigde producten.

Gebruik ServAid om content in een bepaalde taal weer te geven, indien een vertaling voorhanden is, en informatie over uitgefaseerde producten te verkrijgen. ServAid biedt geavanceerde zoekfunctionaliteit voor al onze producten.

ServAid is verkrijgbaar op dvd en op het web:

<http://servaidweb.atlascopco.com>

Neem voor nadere informatie contact op met uw Atlas Copco-verkoper of stuur een e-mail naar het volgende adres:

[servaid.support@se.atlascopco.com](mailto:servaid.support@se.atlascopco.com)

### **Veiligheidsgegevensbladen MSDS/SDS**

In de veiligheidsgegevensbladen vindt u een beschrijving van de chemische producten die door AtlasCopco worden verkocht.

Ga voor meer informatie naar de website

<http://www.atlascopco.com/>.

Kies **Producten - Veiligheidsgegevensbladen** en volg de instructies op de pagina.

## Technische gegevens

### Technische gegevens

#### Geluids- en trillingsniveau

| Geluid (conform ISO15744) | dB(A) |
|---------------------------|-------|
| Geluidsdrukniveau         | 91    |
| Geluidsvermogensniveau    | 102   |
| Onzekerheid               | 3     |

| Totale trillingswaarde, geldig vanaf 2010<br>(waarde 3 assen conform ISO28927-9) | m/s <sup>2</sup>            |
|--|-----------------------------|
| Trillingswaarde  | 11.5(13) 11.5(13B) 8.1(13N) |
| Onzekerheid  | 2.7(13) 2.7(13B) 1.8(13N)   |

#### Verklaring geluid & trilling

Deze aangegeven waarden zijn verkregen door laboratoriumtests conform de aangegeven normen en zijn geschikt om vergeleken te worden met de aangegeven waarden of andere geteste gereedschappen met dezelfde normen. De aangegeven waarden zijn niet geschikt voor gebruik voor risicobepalingen en de waarden gemeten op de afzonderlijke werkplekken kunnen hoger zijn. De werkelijke blootstellingswaarden en het risico op letsel verschillen per gebruiker en zijn afhankelijk van de manier waarop de gebruiker werkt, het werkstuk en het ontwerp van het werkstation, alsmede de blootstellingstijd en de fysieke conditie van de gebruiker.

Wij, **Atlas Copco Industrial Technique AB**, zijn niet aansprakelijk voor de gevolgen van het gebruik van de weergegeven waarden, in plaats van de waarden die passen bij de werkelijke blootstelling, zoals bepaald via een afzonderlijke risicobeoordeling en in een werksituatie waarover wij geen controle hebben

Dit gereedschap kan het hand-arm-trillingssyndroom veroorzaken als het niet correct wordt gebruikt. Een EU-richtlijn voor hand-armtrillingen vindt u op <http://www.pneurop.eu/index.php>. Selecteer 'Tools' (Gereedschappen) en daarna 'Legislation' (Wetgeving).

Wij adviseren een gezondheidscontrole op te zetten om al in een vroeg stadium symptomen te kunnen waarnemen die gerelateerd zouden kunnen zijn aan blootstellingen aan trillingen, zodat managementprocedures aangepast kunnen worden om toekomstig letsel te voorkomen.



# Sikkerheds og betjenings vejledning

## Sikkerhedsinstruktioner

### Vigtig information om sikrere brug af slagværktøjer

Denne manual følger EUs Maskindirektiv (2006/42/EF) med hensyn til brugerinstruktioner og relevante dele af standarder fra CEN TC 255 "Ikke-elektriske, mekanisk drevne håndværktøjer Å Sikkerhed". Disse instruktioner vedrører drift, håndtering af maskinen, isatte værktøjer og udstyr samt vedligeholdelse. Undlader man at overholde disse vejledninger, kan det medføre alvorlig fare.

Sorg for, at operatoren er helt fortrolig med følgende vejledninger og har fuld adgang til dem.

△

Læg nøje mærke til følgende forholdsregler, som operatoren skal tage for at undgå risiko for forkert brug eller ulykker.

### Installation

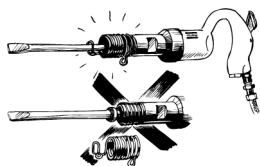
Folg de instruktioner for luftbehandling, der gives i de skriftlige instruktioner, der leveres sammen med maskinen. Når smoring anbefales Å brug da kun de anbefalede smoremidler.

Kontrollér slangedimension og lufttryk. Undgå faren for "lobske" slanger Å kontrollér jævnligt slangen, fittings, og klemringenes tilstand.

Kontrollér, at afblæsningsluften ledes bort, så man undgår at blæse støv eller luft fra arbejdsområdet over på operator eller andre personer. Sorg om muligt for afskærmninger. Anvend om nødvendigt afblæsningsslange og sorg for støvsamling.

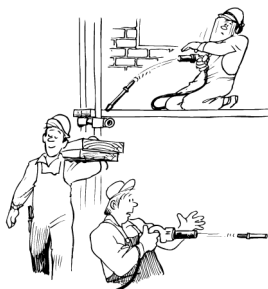
### Undgå ulykker når maskinen anvendes

**1 Mejslen, stansejernet eller dornen kan ved et uheld falde ud eller blive skudt ud af værktøjet og være årsag til alvorlige skader.**



**For at undgå skader fra en flyvende mejsel:**

- brug altid en holder.
- kontroller regelmæssigt holderen for slid og skader.

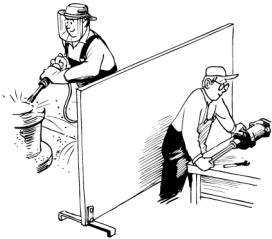


**og:**

- vær opmærksom på, at mejslen kan brække under brug på grund af materialetræthed

- udløs aldrig trykkontakten med mindre, at maskinen har modhold mod et arbejdsemne
- aftag mejsel, stansejern eller dorn af maskinen, når arbejdet er ovre
- før der skiftes tilbehør, mejsel eller stansejern - afbryd maskinen fra luftforsyningen
- udløs start- og stopanordningen i tilfælde af forstyrrelser i kraftforsyningen
- når et arbejde er afsluttet, afbryd maskinen fra luftforsyningen

## **2 Det skal forhindres, at spåner og gnister kan ramme et øje eller en anden arbejder**



### **For at undgå tab af synet:**

- hav altid anlagt øjenværn
- isolér arbejde af denne kategori ved hjælp af afskærmninger mellem arbejdsstederne
- brug ikke maskinen til anden brug end den, den er beregnet til

### **3 Undgå legemsskader ved at bruge:**

- handsker
- sikkerhedssko
- hjelm
- hav altid anlagt øjenværn

### **4 Eksplosionsfarlige omgivelser må ikke antændes**



### **For at undgå skader og tab af ejendom ved brand:**

- anvend anden teknik
- brug tilbehør af ikke-gnistdannende materialer (f.eks. nåletilbehør af berylliumkobber til en nålerenser)

### **5 Chock p.gr. af elektricitet kan være livsfarlige**

- undgå at mejsle ind i elektriske ledninger, som ligger skjult i vægge etc.

## Skadelige langtidspåvirkninger ved brug af maskinen

### 6 Brug altid høreværn



For at undgå gradvist tab af hørelse på grund af høje lydniveauer

- anlæg høreværn

### 7 Vibrationer kan skade hænder og arme



- anvend vibrationsdæmpede værktøjer, hvis muligt
- reducer den totale vibrations-påvirkningstid, specielt, hvis brugeren skal styre mejslen med hånden

### 8 Støv, der frembringes under brugen af maskinen, kan være skadeligt

- anvend punktudsugning eller åndedrætsværn

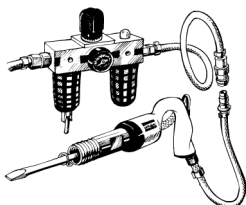
## Korrekt brug og vedligeholdelse

### 9 Der må ikke frembringes tomgangsslag med en hammer



- de vil forårsage høje indre belastninger på værktøjet og forkorte levetiden på dette
- vær opmærksom på risikoen for, at mejsel, stansejern eller dorn kan blive skudt ud af værktøjet, hvis holderen ikke er i orden

### 10 Lynkobling



- Hvis der anvendes lynkobling på et slagværktøj, skal denne være adskilt fra værktøjet med en piskeslange (længde 0,5 m).

### 11 Vedligeholdelse

God holdbarhed og sikker funktion opnås kun, hvis de instruktioner i smoring, vedligeholdelse og eftersyn, der leveres sammen med maskinen, overholdes.

**Brug kun originale Atlas Copco reservedelssæt og -dele.**



## Advarsel

Vær sikker på, at De er bekendt med betjeningsvejledningen, inden De anvender denne maskine.

Maskinen samt dens udstyr og tilbehør kun anvendes til den brug hvortil den er beregnet:

- Almindeligt mejsle- og rensarbejde, afrensning af støbeemner i støberier, mejsling af huller og lettere nedrivningsarbejde i anlægs- og byggebranchen (**ikke som sømmeværktøj** uden det rette udstyr).

**RRC 13N** – til fjernelse af svejseskaller, rust og maling fra stålkonstruktioner.

For at bibeholde produktets pålidelighed og af sikkerhedsmæssige årsager, må ingen modifikationer på maskinen foretages overhovedet, uden der på forhånd er indhentet tilladelse hertil fra en af fabrikanten autoriseret teknisk ansvarlig person.

## RRC 13B

- Når værktøjet anvendes til at blæse et arbejdsområde rent – ret værktøjets udblæsning væk fra bruger og kolleger.

## Generelle oplysninger

### EU OVERENSSTEMMELSESERKLÆRING

Vi, **Atlas Copco Industrial Technique AB**, S-105 23 STOCKHOLM, SVERIGE erklærer, at produktet (med navn, type og serienummer, se forsiden) er i overensstemmelse med følgende direktiv(er):

**2006/42/EC**

Harmoniserede standarder anvendt:

**ISO 11148-4**

Teknisk fil kan fås fra:

Kvalitetschefen, Atlas Copco Industrial Technique, Stockholm, Sverige

Stockholm 01.07.13

**Tobias Hahn, administrerende direktør**

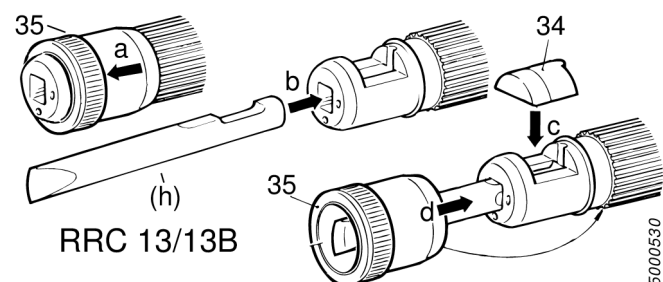


Udgiverens underskrift

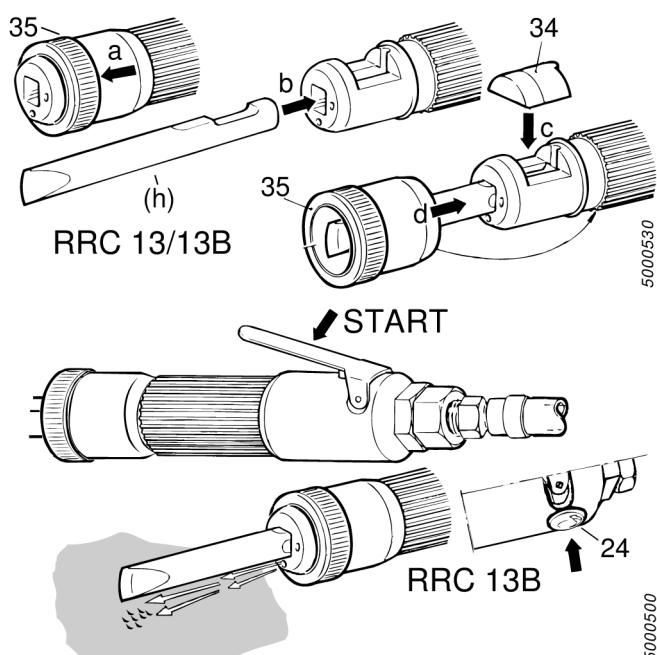
## Montering

### Montering

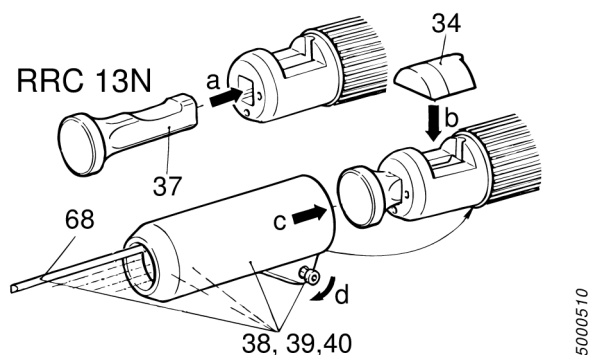
#### RRC 13



- Monter mejslen (h), se fig.

**RRC 13B**

- Monter mejslen (h), se fig.

**RRC 13N**

- Monter nålesættet (j; 68), se fig.  
Benyt altid hele sæt nåle af samme længde, for at udnytte maskinens fulde kapacitet.

**Luftkvalitet**

- For at opnå optimal ydelse og maksimal levetid for maskinen anbefales du at bruge trykluft med et maksimalt dugpunkt på +10° C. Vi anbefaler også installation af en Atlas Copco lufttørrer af køletypen.
- Brug et separat luftfilter af typen Atlas Copco FIL. Dette filter fjerner faste partikler større end 15 mikron, og det fjerner også mere end 90 % af vandet. Filteret skal installeres så tæt ved maskinen/udstyret som muligt og før nogen anden luftforberedelsesenhed som f.eks. REG eller DIM (se Air Line Accessories i vores hovedkatalog). Blæs slangen igennem inden tilslutning.

**Modeller, der skal luftsmøres:**

- Trykluften skal indeholde en lille smule olie.  
Det anbefales kraftigt at installere en Atlas Copco olietågesmøringsanordning (DIM). Den skal indstilles efter luftforbruget i luftværktøjet i henhold til følgende formel:

**L** = Luftforbrug (liter/s).

(Kan findes i vores salgsmateriale).

**D** = Antal dråber pr. min. (1 dråbe = 15 mm<sup>3</sup>)

**L\* 0,2 = D**

Dette gælder for brug af luftværktøjer med lange kørselscykluser. En enkeltpunktssmøringsanordning af typen Atlas Copco Dosol kan også bruges til værktøjer med korte kørselscykluser.

Se oplysninger om indstilling af Dosol i Air Line Accessories i hovedkataloget.

### Smøringsfri modeller:

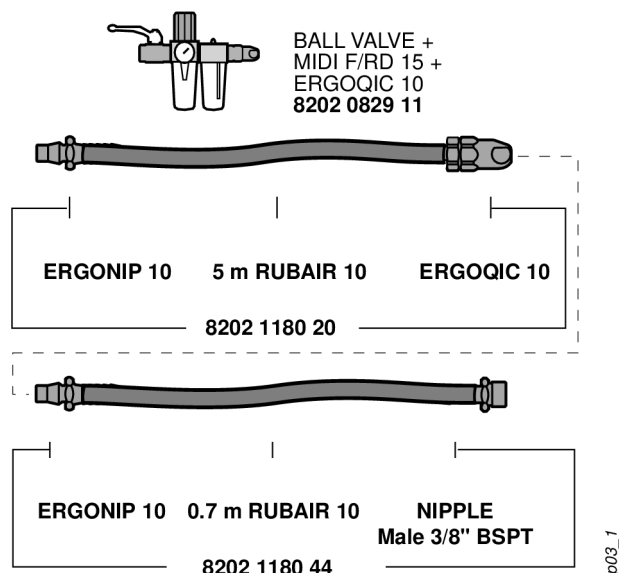
- Med hensyn til smøringsfrit værktøj er det op til kunden at træffe beslutning om det periferiudstyr, der skal bruges. Det kan imidlertid være en fordel, hvis tryklufften indeholder en lille smule olie f.eks. leveret af en olietågesmøringsanordning (DIM) eller Dosol.  
En undtagelse er turbineværktøj, der skal holdes oliefrit.

### Tryklufftilslutning

- Maskinen er konstrueret til et arbejdstryk (e) på 6–7 bar = 600–700 kPa = 6–7 kp/cm<sup>2</sup>.
- Blæs slangen igennem, inden den forbindes.

### Installationsforslag

Valg af korrekte koblingsled, slanger og klemmer kan være en vanskelig proces, hvor man må undersøge alle detaljer grundigt. For at du kan spare tid, og for at du kan være sikker på, at du får den korrekte kapacitet i luftslangeinstallationen mellem tappestedet og værktøjet, giver vi installationsforslag til hvert enkelt værktøj.



Find flere oplysninger i Atlas Copco Industrial Power Tools catalogue Ordering No. 9837 3000 01.

## Vedligeholdelse

### Smøring

Værktøjet skal smøres med ca. 10 dråber olie en gang pr. skift. Olien kan f.eks. dryppes ind i trykluftslangen. Når værktøjet er i kontinuert drift, anbefaler vi, at De installerer en Atlas Copco olietåge-smører i tryklufttilførslen.

Anvend gode kvalitetssmøremidler. De olier, som er anført i smøreskemaet, er eksempler på smøremidler, som vi kan anbefale.

### Fedtoversigt

| Mærke    | Fedt                 | Luft smøring |
|----------|----------------------|--------------|
| BP       | Energrease LS-EP2    | Energol E46  |
| Esso     | Beacon EP2           | Arox EP46    |
| Q8       | Rembrandt EP2        | Chopin 46    |
| Mobil    | Mobilegrease XHP 222 | Almo Oil 525 |
| Shell    | Alvania EP2          | Torvcula 32  |
| Texaco   | Multifak EP2         | Aries 32     |
| Molycote | BR2 Plus             |              |

### Eftersyn

Hvis maskinen er i brug hver dag, bør den efterses og rengøres for hver seks måneder.

Filteret ved adapteren (16) skal rengøres regelmæssigt for at undgå tilstopning, hvilket kan resultere i nedsat ydelse.

### Nyttig information



Log ind på Atlas Copco [www.atlascopco.com](http://www.atlascopco.com)

Du kan finde information om vores produkter, tilbehør, reservedele og publikationer på vores websted.

### Ergonomiske retningslinjer

Tænk på din arbejdsstation, mens du læser denne liste over generelle ergonomiske retningslinjer, og overvej, om du kan identificere områder, der kan forbedres med hensyn til arbejdsstilling, placering af komponenten og arbejdsmiljøet.

- Tag hyppige pauser, og skift arbejdsstilling ofte.
- Tilpas området omkring arbejdsstationen til dine behov og til arbejdsopgaven.
  - Sørg for at have tingene inden for en praktisk rækkevidde ved at fastlægge, hvor dele eller værktøjer skal lægges for at undgå statisk bevægelse.
  - Brug arbejdsstationens udstyr som f.eks. borde og stole, der er relevante for arbejdsopgaven.
- Undgå arbejdsstillinger over skulderhøjde eller at skulle holde noget stille under samling.

- Når der arbejdes over skulderhøjde, skal belastningen på statiske muskler reduceres ved at reducere værktøjets vægt ved f.eks. at bruge momentarme, slangevinder eller vægtudlignere. Du kan også reducere belastningen på statiske muskler ved at holde værktøjet tæt på kroppen.
- Sørg for at tage pauser hyppigt.
- Undgå ekstreme arm- eller håndledsstillinger, især til arbejde, der kræver en vis kraft.
- Tilpas til et praktisk synsfelt ved at minimere behovet for bevægelse af øjnene og hovedet under udførelse af opgaven.
- Brug hensigtsmæssig belysning til arbejdsopgaven.
- Vælg hensigtsmæssigt værktøj til arbejdsopgaven.
- Brug høreværn i støjende omgivelser.
- Brug indføringsværktøjer og opbrugelige produkter af høj kvalitet for at minimere udsættelse for meget høje vibrationsniveauer.
- Minimér udsættelse for reaktionskræfter.
  - Ved skæring:

Skæreskiven kan blive fanget, hvis skiven er bøjet, eller hvis den ikke føres korrekt. Sørg for at bruge de rette flanger til skæreskiverne og undgå at bøje skiven, når der skæres.
  - Ved boring:

Boret vil muligvis gå i stå, når borspidsen bryder igennem. Sørg for at bruge støttehåndtag, hvis stopmomentet er for højt. Sikkerhedsstandard, ISO11148 del 3, anbefaler at bruge noget til at optage reaktionsmomenter over 10 Nm til værktøjer med pistolgreb og 4 Nm til lige værktøjer.
  - Når der bruges direkte drevne skruer eller skralder:

Reaktionskræfterne afhænger af værktøjsindstillingen og leddets karakteristika. Evnen til at tage reaktionskræfter afhænger af operatørens styrke og stilling. Tilpas momentindstillingen til operatørens styrke og arbejdsstilling, og brug en momentarm eller reaktionsstang, hvis momentet er for højt.
- Brug støvudsugningssystem eller mundbeskyttelsesmasker i støvede omgivelser.

## Oprindelsesland

Se informationen på produktetiketten.

## Reservedele

Dele uden bestillingsnummer leveres af tekniske årsager ikke separat; dette gælder også dele, der indgår i service-sæt.

Anvendelse andre reservedele end originale Atlas Copco-reservedele kan medføre reduceret ydelse og øget vedligeholdelse og kan, dersom dette skønnes rimeligt fra selskabets side, sætte alle garantier ud af kraft.

## Garanti

Kontakt Atlas Copco-salgsrepræsentanten i dit område for at rejse et produktgarantikrav. Garantikrav bliver kun anerkendt, hvis produktet er blevet installeret, betjent og efterset iht. driftsanvisningerne.

Se også dit lokale Atlas Copco-selskabs leveringsbetingelser.

## ServAid

ServAid er et redskab til tilvejebringelse af opdateret produktinformation vedrørende:

- Sikkerhedsinstruktioner
- Installations-, betjenings- og servicevejledninger
- Sprængbilleder

ServAid letter processen for bestilling af reservedele, serviceværktøjer og tilbehør til det produkt, der er valgt. Den opdateres kontinuerligt med information om nye og omkonstruerede produkter.

Du kan bruge ServAid til at fremlægge indholdet i et givet sprog forudsat at oversættelsen er tilgængelig, og til at vise information om udgåede produkter. ServAid har en avanceret søgefunktion, der kan bruges i hele vores produktprogram.

ServAid kan fås på dvd og på internet:

<http://servaidweb.atlascopco.com>

For yderligere information kan man kontakte Atlas Copco salgsrepræsentanten eller sende en e-mail til os på:

[servaid.support@se.atlascopco.com](mailto:servaid.support@se.atlascopco.com)

## Sikkerhedsdatablade MSDS/SDS

Sikkerhedsdatabladene beskriver kemiske produkter, der sælges af Atlas Copco.

Find mere information på websiden

<http://www.atlascopco.com/>.

Vælg **Produkter - Sikkerhedsdatablade**, og følg anvisningerne på siden.

## Tekniske data

### Tekniske data

#### Lyd og vibrationer

| Støj (i overensstemmelse med ISO15744) | dB(A) |
|--|-------|
| Lydtryksniveau                         | 91    |
| Lydeffektniveau                        | 102   |
| Usikkerhed                             | 3     |

#### Vibrationens totalværdi, gælder fra 2010 (3-aksers værdi i overensstemmelse med ISO28927-9)

|                 | m/sek. <sup>2</sup>         |
|-----------------|-----------------------------|
| Vibrationsværdi | 11.5(13) 11.5(13B) 8.1(13N) |
| Usikkerhed      | 2.7(13) 2.7(13B) 1.8(13N)   |

#### Støj- og vibrationsdeklaration

Disse deklarerede værdier er opnået ved laboratorietests i overensstemmelse med de angivne standarder, og kan bruges til sammenligning med de deklarerede værdier for andre værktøjer testet i overensstemmelse med de samme standarder. Disse deklarerede værdier er ikke hensigtsmæssige til brug ved risikovurderinger, og værdier målt på individuelle arbejdspladser kan være højere. De faktiske eksponeringsværdier og den skadesrisiko, der opleses af en enkelt bruger er unikke og er afhængige af den måde, hvorpå brugeren arbejder, emnet og arbejdspladsudformningen, og af brugerens eksponeringstid og fysiske tilstand.

Vi, **Atlas Copco Industrial Technique AB**, hæfter ikke for følgerne af at bruge de erklærede værdier i stedet for værdier, der afspejler den faktiske udsættelse i en individuel risikovurdering i en arbejdspladssituation, som vi ikke er herre over.

Dette værktøj kan fremkalde hånd-arm-vibrationssyndrom, hvis brugen af det ikke styres på hensigtsmæssig vis. En EU-vejledning til styring af hånd-armvibration findes ved at gå til <http://www.pneurop.eu/index.php> og vælge 'Tools' og derpå 'Legislation'.

Vi anbefaler et helbredsovervågningsprogram, så tidlige symptomer på vibrationseksponering kan blive opdaget, og ledelsesprocedurerne kan ændres mhp. at forebygge fremtidige skader.





## Sikkerhets- og betjeningsinstruksjoner

### Sikkerhetsanvisninger

#### Viktig informasjon for sikrere bruk av slagverktøy

Denne håndboken følger retningslinjene ifølge "EC Machines Directive (2006/42/EF)" for operatører, samt aktuelle deler av standardene fra CEN TC 255 "Hand-held power driven non-electric tools Å Safety". Disse instruksene angår drift, betjening av maskin, insatt verktøy og utstyr, samt vedlikehold. Alvorlige ulykker kan oppstå hvis ikke disse anerkjente anbefalingene følges.

Sorg for at operatøren har forstått denne instruksjonen og har full adgang til den.

△

vær spesielt oppmerksom på følgende tiltak som operatøren må sette i verk for å unngå feilaktig bruk eller skade

### Installasjon

Følg de skriftlige instruksene som følger med maskinen. Bruk kun anbefalte smoremidler når dette kreves.

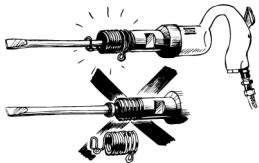
Sjekk slangedimensjon og lufttrykk. Kontroller slange, slangefeste og klemmer med jevne mellomrom.

Sjekk at utblåsningsluften er rettet slik at ikke støv eller luft fra arbeidsstykket blåser på operatøren eller andre personer. Sett opp skjermer om nødvendig.

Bruk eventuelt eksosslange og støvsamler.

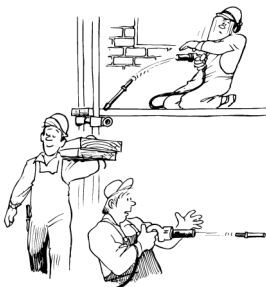
### Unngå ulykker når maskinen er i bruk

**1 meisel, senken eller stansen kan falle ut eller skytes ut av verktøyet ved et uhell og forårsake alvorlig skade**



**For å hindre skade fra en utflygende meisel:**

- bruk alltid holder
- sjekk holderen regelmessig for slitasje eller skade

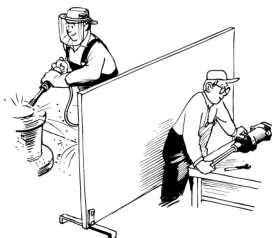


**og:**

- vær oppmerksom på at meiselen kan brytes under drift på grunn av materialtretthet
- sett aldri maskinen i gang uten at den hviler mot arbeidsstykket

- ta alltid meiselen, senken eller stanseren av maskinen når arbeidet er avsluttet
- kople alltid maskinen fra luftledningen før skifting av tilbehør, meisel eller senke
- løs ut start/stopp-innretningen ved avbrudd i krafttilførselen
- kople alltid fra maskinen fra lufttilførselen etter at arbeidet er avsluttet

## **2 Biter og gnister må hindres i å nå øynene eller komme nær en annen person**



### **For å hindre øyeskader:**

- bruk alltid vernebriller
- isoler arbeid av denne typen ved å bruke skjerm mellom arbeidsplassene
- bruk ikke maskinen for annet formål enn det den er beregnet for

### **3 Forsøk å hindre skader ved å bruke:**

- hansker
- vernesko
- hjelm
- bruk alltid vernebriller

## **4 Eksplosiv luft må ikke antennes**



### **For å hindre skade på person eller eiendom på grunn av brann:**

- bruk en annen teknikk
- bruk tilbehør som ikke danner gnister (f.eks. nålfeste av berylliumkopper for en nålhakke)

## **5 Elektrisk støt kan være livsfarlig**

- unngå å meisle mot elektriske ledninger skjult i vegger o.l.

## Langtidsrisiko ved bruk av maskin

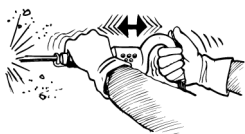
### 6 Bruk alltid ørebeskyttelse



For å hindre gradvis hørselssvekkelse på grunn av høyt støynivå

- bruk ørebeskyttelse

### 7 Vibrasjoner kan skade hender og armer



- bruk om mulig vibrasjonsdempende verktøy
- reduser den totale vibrasjonstiden, især hvis operatøren må føre meiselen for hånd

### 8 Støv fra driften kan være skadelig

- bruk støvsuger eller pusteutstyr

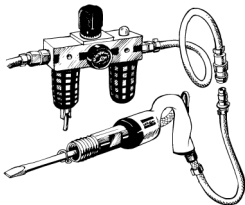
## Riktig bruk og vedlikehold

### 9 Slå aldri med hammeren i luften



- dette forårsaker indre belastninger og forkorter verktøyets levetid
- vær oppmerksom på at meiselen eller stanseren kan skytes ut av verktøyet hvis ikke holderen er i orden

### 10 Hurtigkopling



- hvis det brukes hurtigkopling på et slagverktøy skal dette skilles fra verktøyet av en håndslange (0,5 m lang)

### 11 Vedlikehold

Lang levetid og sikker funksjon garanteres hvis instruksene for smoring, vedlikehold og reparasjon som følger med maskinen følges.

**Bruk kun originale deler og service-sett fra Atlas Copco.**

## Advarsel

Forsikre deg om at du har lest og forstått brukerveiledningen før du tar denne maskinen i bruk.

Maskinen, med tilbehør, må bare brukes til det formålet de ble konstruert for:

- Vanlig meisling og skalling, meisling av støpegods, hullslag og lettere demolering i anleggs- og bygningindustrien (ikke for spikring uten skikkelig tilbehør).

**RRC 13N** - for fjerning av sveiseslagg, rust og maling fra stålkonstruksjoner.

For å sikre trygg og pålitelig bruk, må alle modifikasjoner på maskinen og/eller tilbehøret kun foretas etter forhåndsavtale med en autorisert teknisk representant for produsenten.

## RRC 13B

- Når maskinen skal brukes for å blåse arbeidsobjektet rent, skal utblåsing fra maskinen rettes bort fra operatøren og andre som befinner seg i nærheten.

## Generell informasjon

### EU SAMSVARSERKLÆRING

Vi, **Atlas Copco Industrial Technique AB**, SE-105 23 STOCKHOLM, SVERIGE erklærer på vårt eneansvar at vårt produkt (med type- og serienummer, se forsiden) er i samsvar med de følgende direktiver:  
**2006/42/EC**

Brukte harmoniserte standarder:

**ISO 11148-4**

Teknisk fil tilgjengelig fra:

Quality Manager, Atlas Copco Industrial Technique, Stockholm, Sverige

Stockholm, 01.07.13

**Tobias Hahn, Managing Director**

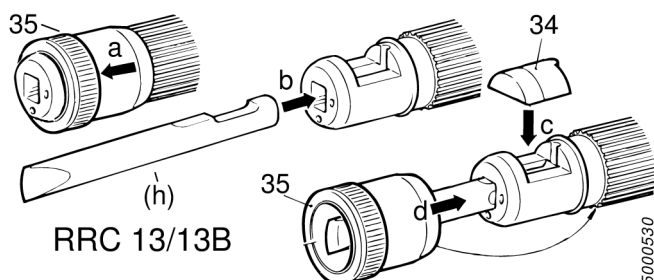


Utstederens signatur

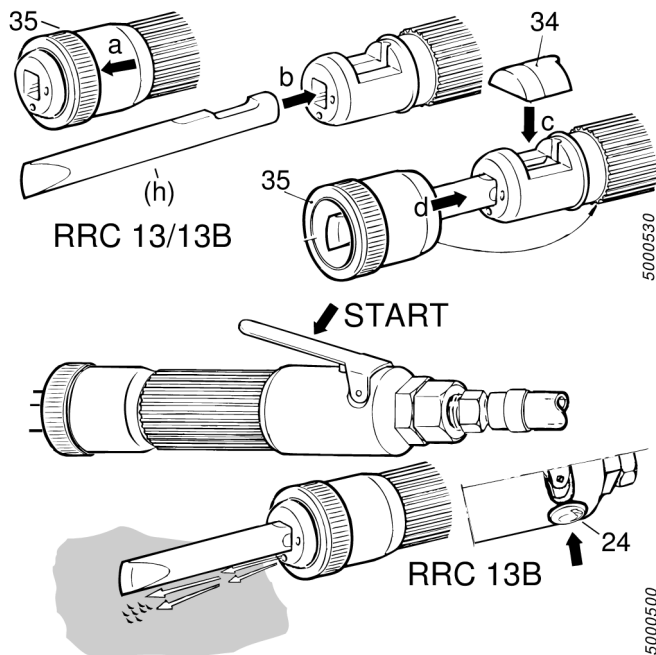
## Installering

### Montering

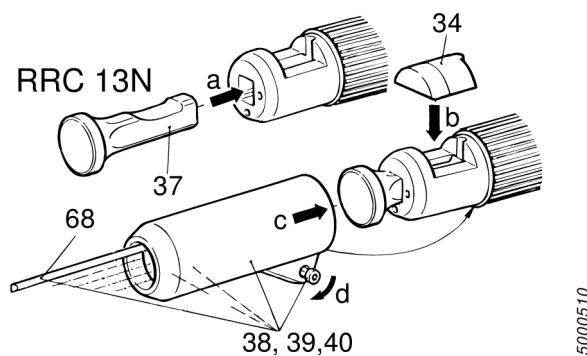
#### RRC 13



- Monter meiselen (h), se fig.

**RRC 13B**

- Monter meiselen (h), se fig.

**RRC 13N**

- Monter nålsettet (j; 68), se fig.  
Bruk alltid komplette nålsett med samme nållengde, for å oppnå full maskinkapasitet.

**Luftkvalitet**

- For optimal ytelse og maksimal levetid for maskinen anbefaler vi bruk av trykkluft med maksimalt duggpunkt på +10°C. Vi anbefaler også installasjon av en Atlas Copco lufttørker av kjøletypen.
- Bruk et separat luftfilter av typen Atlas Copco FIL. Dette filteret fjerner partikler som er større enn 15 mikron og fjerner også mer enn 90 % av flytende vann. Filteret må monteres så nær maskinen/utstyret som mulig og før noen andre luftbehandlingsenheter som REG eller DIM (se Luftlinjetilbehør i vår hovedkatalog). Blås ut slangen før du kobler til.

**Modeller som trenger luftsmøring:**

- Trykkluften må inneholde litt olje.  
Vi anbefaler på det sterkeste at du monterer en Atlas Copco oljetåkesmører (DIM). Denne må stilles inn i forhold til luftforbruket i luftverktøyet i samsvar med følgende formel:

$L = \text{Luftforbruk (liter/s)}$

(Finnes i vår salgslitteratur)

**D** = Antall dråper per minutt (1 dråpe = 15 mm<sup>3</sup>)

**L\* 9,2 = D**

dette gjelder bruk sammen med luftverktøy med lang lufttilførsellinje. En enkeltpunkts smører type Atlas Copco Dosol kan brukes for verktøy med korte kjøresykluser.

Informasjon om Dosol-innstillinger finner du under Luftlinjetilbehør i vår hovedkatalog.

### Smørefrie modeller:

- I forhold til smørefrie modeller er det opp til kunden å bestemme det perifere utstyret som skal brukes. Men det ingen ulempe om trykkluften inneholder litt olje; det vil si levert fra en tåkesmører (DIM) eller Dosol-system.

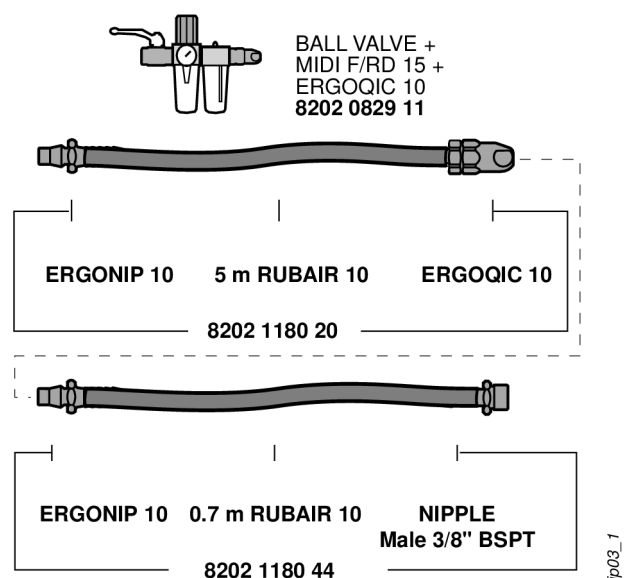
Dette gjelder ikke turbinverktøy som skal holde oljefri.

### Tilkobling av trykkluft

- Maskinen er konstruert for et arbeidstrykk (e) på 6-7 bar, 600-700 kPa, 6-7 kp/cm<sup>2</sup>.
- Blås ut slangen for tilkobling.

### Installeringsforslag

Valg av riktige koblinger, slanger og klemmer kan medføre brysom graving i detaljer. For å spare deg for tid og sikre riktig at luftanlegget har riktig kapasitet, fra uttakspunktet og helt fram til verktøyet, tilbyr vi deg installasjonsforslag for hvert enkelt verktøy.



For mer informasjon, vennligst les "Atlas Copco Industrial Power Tools"-katalogen, bestillingsnummer 9837 3000 01.

## Vedlikehold

### Smøring

Meiselhammeren skal smøres med 10 dråper olje en gang pr.skift. Oljen kan fylles i luftslangen. Når maskinen er i kontinuerlig drift, anbefales installasjon av et Atlas Copco smøreapparat for oljetåke i trykkluftnettet.

Bruk smøremidler av god kvalitet. Olje fra produsentene oppgitt i smøretabellen under er eksempler på smøremidler som kan anbefales.

### Smørefett-guide

| Merke    | Fett                 | Luftsmøring  |
|----------|----------------------|--------------|
| BP       | Energrease LS-EP2    | Energol E46  |
| Esso     | Beacon EP2           | Arox EP46    |
| Q8       | Rembrandt EP2        | Chopin 46    |
| Mobil    | Mobilegrease XHP 222 | Almo Oil 525 |
| Shell    | Alvania EP2          | Torvcula 32  |
| Texaco   | Multifak EP2         | Aries 32     |
| Molycote | BR2 Plus             |              |

## Vedlikehold

Hvis maskinen er i daglig bruk, skal den overhales og rengjøres hver 6. måned.

Filteret bak mellomstykket (16) skal rengjøres regelmessig for å hindre tilstopping, som igjen gir dårligere ytelse.

## Nyttig informasjon



Logg inn på Atlas Copco [www.atlascopco.com](http://www.atlascopco.com)

Du kan finne informasjon om våre produkter, tilbehør, reservedeler og publiserte materialer på våre nettsider.

## Ergonomiske retninglinjer

Vurder arbeidsstasjonen din når du leser gjennom denne listen over generelle ergonomiske retningslinjer og se om du kan identifisere områder for forbedring innen holdning, komponentplassering eller arbeidsmiljø.

- Ta hyppige pauser og endre arbeidsstilling ofte.
- Tilpass arbeidsstasjonsområdet etter dine behov og arbeidsoppgaven.
  - Juster for praktisk rekkevidde ved å bestemme hvor delene eller verktøyene skal plasseres for å unngå statisk bevegelse.
  - Bruk arbeidsstasjonsutstyr slik som bord og stoler som passer til arbeidsoppgaven.
- Unngå arbeidsposisjoner over skuldernivå eller med statisk holding i løpet av monteringsoperasjonene.
  - Når du jobber over skuldernivå, reduser lasten på de statiske musklene ved å redusere verktøyets vekt, ved å bruke for eksempel momentarmer, slangespoler eller vektbalanseinnretninger. Du kan også redusere lasten på de statiske musklene ved å holde verktøyet nært kroppen.

- Se til at du tar hyppige pauser.
- Unngå ekstreme arm- eller håndleddsstillinger, spesielt for operasjoner som krever en grad av styrke.
- Juster for praktisk synsfelt ved å minimere bevegelsen av øynene og hodet i løpet av arbeidsoppgaven.
- Bruk passende belysning for arbeidsoppgaven.
- Velg passende verktøy for arbeidsoppgaven.
- Bruk hørselsvern i miljøer med støy.
- Bruk høykvalitets innsatte verktøy eller forbruksvarer for å minimere eksponeringen overfor høye vibrasjonsnivåer.
- Minimer eksponeringen overfor reaksjonskrefter.
  - Ved kutting:

Et avkappingshjul kan settes seg fast hvis hjulet er bøyd eller hvis det ikke føres riktig. Se til at du bruker riktige flenser for avkappingshjul og unngå bøyning av hjulet under kappingen.
  - Ved boring:

Drillen kan stanse når drillbiten bryter gjennom. Se til at du bruker støttehåndtak hvis stansmomentet er for høyt. Sikkerhetsstandarden ISO 11148 del 3 anbefaler bruk av noe som absorberer reaksjonsmomentet over 10 Nm for verktøy med pistolgrep og 4 Nm for rette verktøy.
  - Ved bruk av direktdrevet skrue eller skiftenøkler:

Reaksjonskrefter avhenger av verktøyinnstilling og leddegenskaper. Evnen til å tåle reaksjonskrefter avhenger av operatørens styrke og holdning. Tilpass momentinnstillingen til operatørens styrke og holdning, og bruk en momentarm eller reaksjonsstang hvis momentet er for høyt.
- Bruk utsugssystem eller munnbeskyttelsesmaske i støvete miljøer.

## Opphavsløst

Se informasjonen på produktets etikett.

## Reservedeler

Deler uten bestillingsnummer og deler som inngår i våre Service-sett, kan av tekniske årsaker ikke leveres separat.

Bruk av annet enn originaldeler fra Atlas Copco, kan føre til nedsatt yteevne og økt behov for vedlikehold, og kan dessuten føre til at garantier ikke innrømmes.

## Garanti

Ta kontakt med Atlas Copcos salgsrepresentant på ditt område for å anvende garantien for et produkt. Garantien vil kun bli godkjent hvis produktet har blitt installert, brukt og vedlikeholdt i overensstemmelse med driftsinstruksjonene.

Se også leveringsbetingelsene som det lokale Atlas Copco-selskapet bruker.

## ServAid

ServAid er et redskap for å gi oppdatert produktinformasjon vedrørende:

- Sikkerhetsanvisninger



- Installasjon, drift og serviceinstruksjoner
- Eksploberte visninger

ServAid forenkler bestillingsprosessen for reservedeler, serviceverktøy og tilbehør for det valgte produktet. Det oppdateres kontinuerlig med informasjon om nye og redesignede produkter.

Du kan bruke ServAid til å presentere innholdet på et spesifikt språk, gitt at det finnes oversettelser, og til å vise informasjon om utgåtte produkter. ServAid tilbyr en avansert søkefunksjonalitet for hele produktutvalget vårt.

ServAid er tilgjengelig på DVD og på nettet:

<http://servaidweb.atlascopco.com>

For ytterligere informasjon ta kontakt med Atlas Copcos salgsrepresentant eller send oss en e-post på:

[servaid.support@se.atlascopco.com](mailto:servaid.support@se.atlascopco.com)

### **Sikkerhetsdataark MSDS/SDS**

Sikkerhetsdataarkene beskriver kjemiske produkter som selges av Atlas Copco.

For mer informasjon se på nettsidene

<http://www.atlascopco.com/>.

Velg **Produkter - Sikkerhetsdataark** og følg anvisningene på siden.

## Tekniske data

### Teknisk informasjon

#### Lyd- og vibrasjonsnivå

| Støy (i overensstemmelse med ISO15744) | dB(A) |
|--|-------|
| Lydtrykknivå                           | 91    |
| Lydeffektnivå                          | 102   |
| Usikkerhet                             | 3     |

#### Total vibrasjonsverdi, gyldig fra 2010 (3-aksers verdi i overensstemmelse med ISO28927-9)

|                 | m/s <sup>2</sup>            |
|-----------------|-----------------------------|
| Vibrasjonsverdi | 11.5(13) 11.5(13B) 8.1(13N) |
| Usikkerhet      | 2.7(13) 2.7(13B) 1.8(13N)   |

### Erklæring om støy- og vibrasjonsdemping

Disse erklærte verdiene er fremkommet under laboratorietesting i samsvar med angitte standarder og er egnet for sammenligning med de erklærte verdiene for andre verktøy testet i samsvar med de samme standardene. Disse erklærte verdiene er ikke tilstrekkelige for bruk i risikovurderinger, og verdier målt på individuelle arbeidsplasser kan være høyere. De faktiske eksponeringsverdiene og risikoen ved fare som den enkelte bruker opplever, er unike og avhenger av måten brukeren arbeider, arbeidsemnet og utformingen av arbeidsplassen samt eksponeringstid og brukerens fysiske tilstand.

Vi, **Atlas Copco Industrial Technique AB**, kan ikke holdes ansvarlig for konsekvensen å bruke de erklærte verdiene, i stedet for verdier som reflekterer den faktiske eksponeringe, i en individuell risikovurdering i en arbeidsplassituasjon som vi ikke har noen kontroll over.

Verktøyet kan forårsake hånd-/armvibrasjonssyndrom hvis bruken ikke håndteres på riktig måte. En EU-veiledning for å administrere hånd-/armvibrasjon kan bli funnet ved å gå på <http://www.pneurop.eu/index.php> og velge «Tools» og deretter «Legislation».

Vi anbefaler at bedriftshelsetjenesten gjennomfører et program for å avdekke tidlige tegn på vibrasjonseksponering, slik at prosedyrene kan endres for å bidra til å unngå fremtidig svekkelse.



# Käyttöohjeet

## Turvamääräykset

### Tärkeää tietoa iskevien työkalujen turvallisesta käytöstä

Tämä käsikirja noudattaa EU:n direktiiviä (2006/42/EY), jossa käsitellään käyttöohjeita, sekä standardia CEN TC 255 "Hand-held power driven non-electric tools & Safety". Nämä ohjeet koskevat koneiden ja niihin kiinnitettyjen työkalujen käyttöä, käsittelyä ja huoltoa. Näiden suositusten laiminlyönti voi aiheuttaa vakavia vaaratilanteita.

Varmista, että käyttäjä on täysin ymmärtänyt oheiset suositukset, jotka ovat aina hänen saatavillaan.



Kiinnitä erityistä huomiota toimiin, joihin käyttäjän on ryhdyttävä väärinkäytön tai onnettomuuksien välttämiseksi

## Asennus

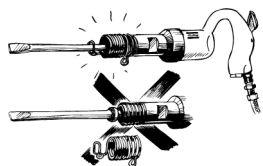
Noudata koneen mukana toimitettavia kirjallisia ohjeita, jotka koskevat ilman käsittelyä. Jos voitelua suositellaan, käytä vain sositeltuja voiteluaineita.

Tarkasta letkun koko ja ilmanpaine. Varo sivaltavaa letkua & tarkasta letkun, letkunliittimen ja -kiristimen kunto säännöllisesti.

Tarkasta, että poistoilma on suunnattu niin, ettei se puhalla pölyä työkappaleesta käyttäjän tai muiden henkilöiden päälle. Käytä tarvittaessa esteitä. Käytä tarvittaessa poistoilmaletkua ja huolehdi pölyn talteenotosta.

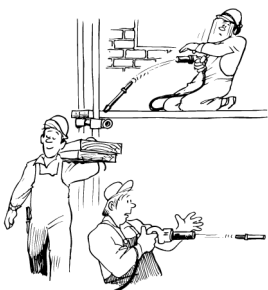
## Vältä onnettomuuksia kun käytät konetta

### **1 Taltta tai meisti voi pudota tai sinkoutua vahingossa koneesta ja aiheuttaa vakavan vamman**



#### Jotta välttäisit tapaturman:

- käytä aina pidintä
- tarkasta säännöllisesti, että pidin ei ole kulunut tai vaurioitunut

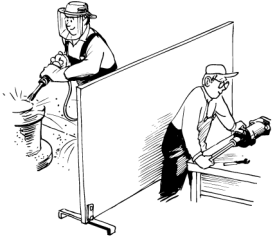


#### ja:

- pidä mielessä, että taltta voi väsyä ja rikkoutua konetta käytettäessä
- älä milloinkaan käytä konetta tukematta sitä työkappaletta vasten
- poista taltta tai meisti koneesta, kun lopetat työn

- irrota kone ilmalinjasta ennen varusteiden, taltan tai meistin vaihtoa
- vapauta käynnistys- ja pysäytyslaite, jos energian syöttö keskeytyy
- irrota kone ilmansyötöstä, kun lopetat työn

## **2 Varmista, että lastut ja kipinät eivät osu silmiin tai lähellä oleviin henkilöihin.**



### **Jotta välttäisit silmävauriot:**

- käytä aina silmäsuojaimia
- aseta suojalevyt työpaikkojen väliin
- älä käytä työkalua muuhun kuin sille tarkoitettuun tehtävään

## **3 Vammojen välttämiseksi käytä aina:**

- työrukkasia
- turvakenkiä
- kypärää
- käytä aina silmäsuojaimia

## **4 Räjähdyksvaaran vallitessa**



### **Jotta välttäisit tulipalon aiheuttamat henkilö- ja omaisuusvahingot:**

- käytä toista työmenetelmää
- käytä kipinöimättömiä työkaluja (neulahakussa esimerkiksi berylliumpronssisia neuloja)

## **5 Sähköisku voi olla hengenvaarallinen**

- varo seiniin upotettuja sähköjohtoja jne.

## **Pitkäaikaiseen käyttöön liittyvät riskit**

### **6 Käytä aina kuulosuojaimia**



## Jotta välttäisit voimakkaasta melusta aiheutuvat kuulon asteittaisen vaurioitumisen

- käytä kuulosuojaimia

## 7 Tärinä saattaa vahingoittaa käsiä ja käsivarsia



- käytä tärinävaimennettuja työkaluja, kun se on mahdollista
- kokonaisaltistusajaa tärinälle on lyhennettävä varsinkin silloin, kun talttaa on ohjattava käsin

## 8 Työskenneltäessä vapautuva pöly voi olla haitallista

- käytä pisteimua tai hengityslaitetta

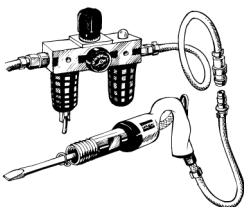
## Oikea käyttö ja kunnossapito

### 9 Vältä tyhjäkäynti-iskuja



- ne rasittavat koneistoa ja lyhentävät työkalun kestoikää
- varo koneesta sinkoutuvaa talttaa tai meistiä, jos pidin on viallinen

### 10 Pikaliitin



- kun iskevässä työkalussa käytetään pikaliitintä, sen ja työkalun välissä on oltava käsiletku (pituus noin 0,5 m)

### 11 Huolto

Työkalu toimii pitkään ja turvallisesti, kun sen mukana toimitettavia voitelu-, huolto- ja kunnostusohjeita noudatetaan.

**Käytä vain alkuperäisiä Atlas Copco korjaussarjoja ja varaosia.**

## Varoitus

Perehdy huolellisesti käyttöohjeisiin ennen kuin käytät konetta.

Konetta tarvikkeineen ja lisävarusteineen saa käyttää vain tarkoitukseen, johon ne on suunniteltu.

- Kuonan ja hilseen poisto, valujen puhdistaminen valimoissa, reikien tekeminen ja kevyet purkutyöt rakennusteollisuudessa (ei naulaukseen ilman oikeita lisävarusteita).

**RRC12N** – hitsauskuonan, ruosteen ja maalin poisto teräs- rakenteista.

Tuotevastuu- ja turvallisuussyistä on kaikkia konetta, lisälaitteita ja varusteita koskevista muutoksista sovittava etukäteen valmistajan valtuuttaman teknisen edustajan kanssa.

### RRC 13B

- Kun koneella puhalletaan työkappale puhtaaksi, suuntaa poistoilma pois päin käyttäjästä ja muista työntekijöistä.

## Yleiset tiedot

### EY-YHDENMUKAISUUDEN VAKUUTUS

Atlas Copco Industrial Technique AB, S-105 23 STOCKHOLM, SWEDEN vakuutamme, että tuote (nimi, tyyppi ja sarjanumero, katso etusivu) on yhdenmukainen seuraavien direktiivien kanssa:

2006/42/EC

Sovellettu harmonisoituja standardeja:

ISO 11148-4

Tekninen tiedosto saatavana:

Laatupäällikkö, Atlas Copco Industrial Technique, Tukholma, Ruotsi

Tukholma, 01.07.13

Tobias Hahn, Managing Director

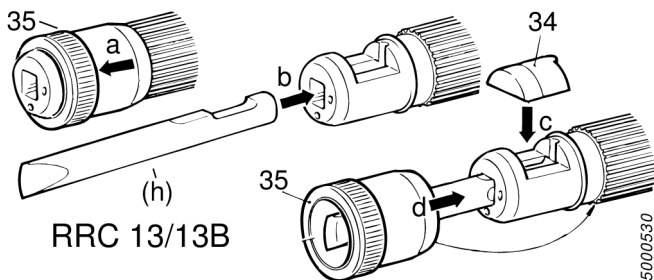


Ilmoittajan allekirjoitus

## Asennus

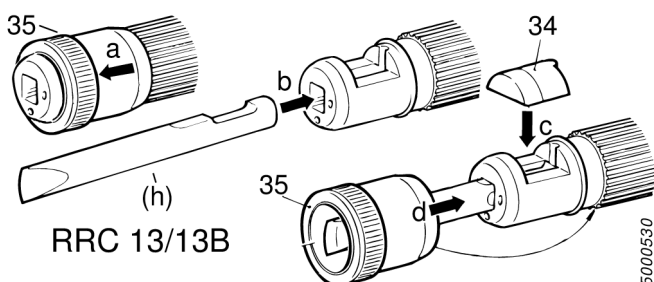
### Asennus

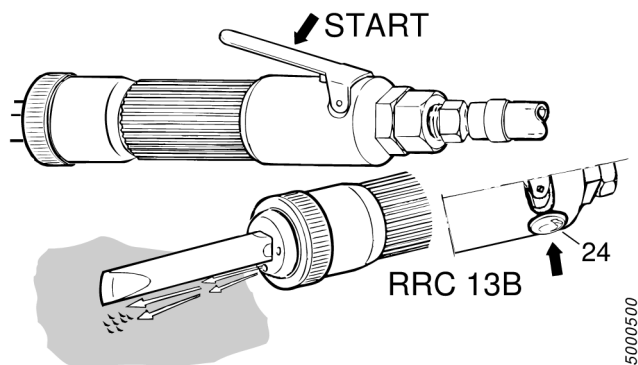
#### RRC 13



- Asenna taltta (h), katso kuva.

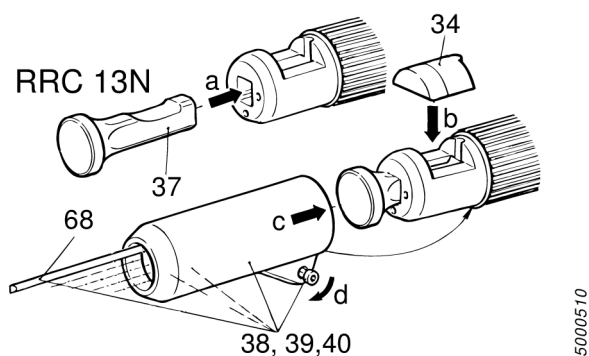
#### RRC 13B





- Asenna taltta (h), katso kuva.

### RRC 13N



- Asenna neula (j; 68), katso kuva.  
Käytä aina täydellisiä saman mittaisia neulasarjoja, jotta kone toimii täydellä teholla.

### Ilmanlaatu

- Parhaan suorituskyvyn ja koneen mahdollisimman pitkän käyttöiän takaamiseksi on suositeltavaa käyttää paineilmaa, jonka kosteuspiste on enintään +10 °C. Lisäksi on suositeltavaa käyttää Atlas Copcon jääkaappityyppistä ilmankuivainta.
- Käytä erillistä ilmansuodatinta, jonka tyyppi on Atlas Copco FIL. Se suodattaa yli 15 mikronin partikkelit ja yli 90 % nestemäisestä vedestä. Suodatin on asennettava mahdollisimman lähelle konetta ja ennen kaikkia muita valmisteluyksiköitä, kuten REG tai DIM (katso pääkuvaston ilmalinjan lisävarusteet). Puhdista letkut puhaltamalla ennen niiden yhdistämistä.

### Mallit, jotka tarvitsevat ilmavoitelua:

- Paineilman on sisällettävä pieni määrä öljyä. On suositeltavaa asentaa Atlas Copcon DIM-öljysumulaite. Sen asetukset on määritettävä ilmalinjatyökalun ilmankulutuksen mukaisesti seuraavaa kaavaa käyttämällä:

**L** = Ilmankulutus (litroina)

(Tieto voi löytyä myyntiaineistostamme.)

**D** = Pisaroiden määrä minuutissa (1 pisara = 15 mm<sup>3</sup>)

**L\* 0.2 = D**



Tämä koskee pitkään käytettäviä ilmalinjatyökaluja. Atlas Copco Dosol -tyyppistä yksipistevoitelulaitetta voidaan käyttää, jos käyntijaksot ovat lyhyitä.

Dosol-laitteen asetuksista voi olla lisätietoja pääkuvastomme ilmansyöttölaitteista kertovassa osassa.

### Mallit, jotka eivät tarvitse voitelua:

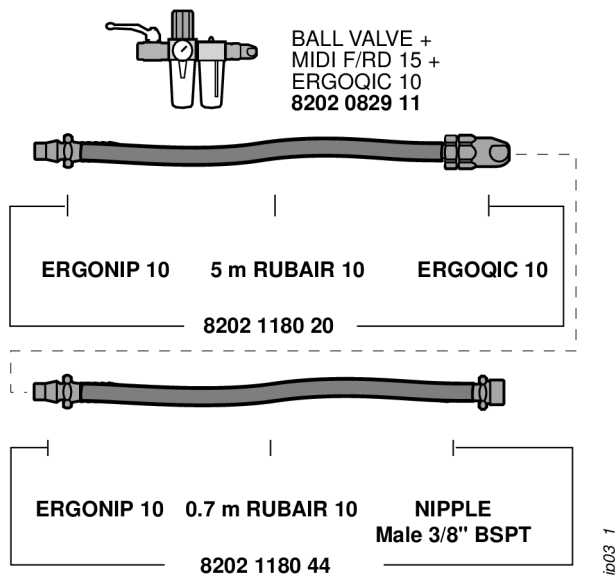
- Jos työkalu ei tarvitse voitelua, asiakas päättää, mitä oheislaitteita käytetään. Jos paineilma sisältää hieman öljyä, joka on peräisin esimerkiksi DIM-öljysumulaitteesta tai Dosol-järjestelmästä, siitä ei kuitenkaan ole haittaa. Turbiinityökalut ovat poikkeus. Ne on pidettävä öljyttöminä.

### Paineilmaliitäntä

- Koneen työpaine (e) on 6-7 bar = 600-700 kPa = 6-7 kp/cm<sup>2</sup>.
- Puhalla letku puhtaaksi ennen liittämistä.

### Asennusehdotus

Oikeiden liittimien, letkujen ja kiristimien valinta saattaa monasti tuottaa päänvaivaa. Kalliin työajan säästämiseksi ja paineilma-asennuksen oikean kapasiteetin varmistamiseksi ulosotosta työkaluun, olemme laatineet asennusehdotukset eri työkaluja varten.



Lisätietoja on Atlas Copco Industrial Power Toolsin luettelossa (tilausnumero 9837 3000 01).

## Huolto

### Voitelu

Kone voidellaan öljyllä kerran vuorossa. Öljyn määr 10 pisaraa. Öljy voidaan tiputtaa ilmaletkuun. Kun konetta käytetään jatkuvasti, suosittelemme, että ilmalinjaan asennetaan Atlas Copco -öljysumuvoitelulaite.

Käytä laadukkaita voiteluaineita. Voitelutaulukossa lueteltuja öljyalaatuja voidaan suositella.

## Rasvaopas

| Merkki   | Rasva                | Luftsmörjning |
|----------|----------------------|---------------|
| BP       | Energol LS-EP2       | Energol E46   |
| Esso     | Beacon EP2           | Arox EP46     |
| Q8       | Rembrandt EP2        | Chopin 46     |
| Mobil    | Mobilegrease XHP 222 | Almo Oil 525  |
| Shell    | Alvania EP2          | Torvcula 32   |
| Texaco   | Multifak EP2         | Aries 32      |
| Molycote | BR2 Plus             |               |

## Huolto

Jos konetta käytetään päivittäin, se on huollettava ja puhdistettava kuuden kuukauden välein.

Liitäntäkappaleen jälkeinen suodatin on puhdistettava säännöllisesti, jotta se ei tukkeudu ja vähennä koneen tehoa.

## Hyödyllistä tietoa



Kirjautu sisään Atlas Copco -verkkosivuille [www.atlascopco.com](http://www.atlascopco.com)

Sivustolla on tietoa yrityksemme tuotteista, lisälaitteista, varaosista ja julkaisuista.

## Ergonomian ohjeet

Ajattele työasemaasi kun luet nämä yleistä ergonomiaa koskevat ohjeet ja selvitä, samaistatko alueet työasennon, osien sijoittamisen tai työympäristön parantamiseksi.

- Pidä taukoja ja vaihda työasentoa säännöllisesti.
- Sovella työasema tarpeitasi ja tehtävän mukaan.
  - Säädä kurkottelualue määrittämällä mihin osat ja työkalut tulee sijoittaa, toistuvien liikkeiden välttämiseksi.
  - Käytä työtehtävään sopivia työaseman laitteita, kuten pöytiä ja tuoleja.
- Vältä työasentoja olkapäiden yläpuolella tai staattista pitelemistä kokoonpanon aikana.
  - Kun töitä tehdään olkapäiden tason yläpuolella, alenna lihaskuormitusta keventämällä työkalua, käyttämällä esimerkiksi vääntövarsia, letkukeloja tai tasapainottimia. Voit myös keventää lihaskuormitusta pitämällä työkalua kehon lähellä.
  - Pidä taukoja säännöllisesti.
  - Vältä käsien ja ranteiden ääri liikkeitä, etenkin voimaa tarvittavissa toiminnoissa.
- Säädä näkyväisyys hyväksi rajoittamalla tarvittavaa silmien ja pään liikkeitä työn aikana.
- Käytä tehtävään sopivaa valaistusta.
- Käytä tehtävään sopivaa työkalua.

- Käytä kuulosuojaimia meluisissa ympäristöissä.
- Käytä korkealaatuisia kääntöteriä tai kulutusosia altistumisen minimoimiseksi liiallisille äärintasojen.
- Minimoi altistuminen reaktivoimille.
  - Leikkauksen aikana:  
Katkaisulaikka voi jumitua, jos laikka on joko taipunut tai jos sitä ei ole ohjattu oikein. Varmista, että käytät tarkoituksenmukaisia katkaisulaikkoja välttämällä laikan taipumista katkaisutyön aikana.
  - Porattaessa:  
Pora voi sakata jos poranterä porautuu kohteen läpi. Varmista, että käytät tukikahvoja jos sakkausmomentti on liian korkea.  
Turvallisuusstandardi ISO11148, osa 3 suosittelee käyttämään jotakin yli 10 Nm reaktiomomentin vaimentamiseen pistoolikahvaisille työkaluille ja 4 Nm reaktiomomentin vaimentamiseen suorakäyttöisille työkaluille.
  - Käytettäessä suorakäyttöistä ruuvin- ja tai mutterinväännintä:  
Reaktivoima riippuu työkalun asetuksista ja liitosten ominaisuuksista. Reaktivoimien kestävyys riippuu käyttäjän voimista ja asennosta. Sovita momenttiasetus käyttäjän voimien ja asennon mukaan, ja käytä vääntövartta tai reaktiotankoa momentin ollessa liian korkea.
- Käytä pölynpoistojärjestelmää tai suojavaamaria pölyisissä ympäristöissä.

## Alkuperäisosa

Katso tiedot tuotetarrassa.

## Varaosat

Ilman tilausnumeroa olevia osia ei jaeta teknisistä syistä erikseen, sama koskee Huoltosarjojen sisältämiä osia.

Muiden kuin alkuperäisten Atlas Copco -varaosien käyttö saattaa johtaa pienentyneeseen suorituskykyyn ja lisähuoltoon sekä johtaa, yhtiön niin katsoessa, kaikkien takuiden mitätöitymiseen.

## Takuu

Ota yhteys alueesi Atlas Copco -myyntiedustajaan, jos haluat esittää jotakin tuotetta koskevan takuuväitteen. Takuu on voimassa vain, jos tuote on asennettu, sitä on käytetty ja se on kunnostettu käyttöohjeiden mukaisesti.

Tutustu myös paikallisen Atlas Copco -yhtiön toimitusehtoihin.

## ServAid

ServAid on apuohjelma, joka tarjoaa päivitettyjä tietoja seuraavista:

- Turvaohjeet
- Asennus, käyttö ja kunnossapito
- Poikkileikkauskuvat.

ServAid helpottaa tarvitsemaasi tuotetta koskevien varaosien, huoltotyökalujen ja tarvikkeiden tilaamista. Sitä päivitetään jatkuvasti uusia ja uudistettuja tuotteita koskevilla tiedoilla.

ServAid-ohjelmassa sisältöä voidaan tarkastella tietyllä kielellä mikäli käännös kyseiselle kielelle on olemassa, ja katsella tietoja käytöstä poistetuista tuotteista. ServAid-ohjelmassa on koko tuotesarjamme käsittävä laaja hakutoiminto.

ServAid on saatavilla DVD-levynä ja verkossa osoitteessa:

<http://servaidweb.atlascopco.com>

Lisätietoja saa ottamalla yhteyttä Atlas Copco -myyntiedustajaan tai lähettämällä sähköpostia osoitteeseen:

[servaid.support@se.atlascopco.com](mailto:servaid.support@se.atlascopco.com)

## Käyttöturvallisuustiedotteet MSDS/SDS

Käyttöturvallisuustiedotteissa kuvataan Atlas Copcon toimittamien kemikaalituotteiden ominaisuudet.

Katso verkkosivuilta lisätietoja

<http://www.atlascopco.com/>.

Valitse **Tuotteet - Käyttöturvallisuustiedotteet**, ja noudata sivulla olevia ohjeita.

## Tekniset tiedot

### Tekniset tiedot

#### Melu- ja värinäätaso

Melu (seuraavan standardin mukaisesti:  
ISO15744)

|                | dB(A) |
|----------------|-------|
| Äänenpainetaso | 91    |
| Äänitehotaso   | 102   |
| Epävarmuus     | 3     |

Kokonaistärinäarvo, voimassa 2010  
lähtien(kolmen akselin arvo seuraavan standardin  
mukaan ISO28927-9)

|            | m/s <sup>2</sup>            |
|------------|-----------------------------|
| Tärinäarvo | 11.5(13) 11.5(13B) 8.1(13N) |
| Epävarmuus | 2.7(13) 2.7(13B) 1.8(13N)   |

#### Melu- ja värinäädirektiivin selonteko

Nämä ilmoitetut arvot saatiin laboratoriotyyppisissä testeissä mainittujen standardien mukaisesti. Arvot soveltuvat vertailuun toisten testattujen työkalujen vastaavien arvojen kanssa, kun testaus on tehty samojen standardien puitteissa. Ilmoitetut arvot eivät ole riittäviä riskianalyyysien tekemiseen, ja yksittäisistä työpisteistä mitatut arvot saattavat olla tässä ilmoitettuja arvoja korkeampia. Hetkelliset altistusarvot ja yksittäisen käyttäjän vahingoittumisriski ovat ainutkertaisia ja ne riippuvat siitä, miten käyttäjä työskentelee, mitä hän työstää, miten työpiste on suunniteltu, miten pitkään hän altistuu ja siitä, millaisessa fyysisessä kunnossa käyttäjä on.

Me, **Atlas Copco Industrial Technique AB**, emme ole vastuussa ilmaistujen arvojen käytöstä syntyvistä seuraamuksista, todellista altistumista vastaavien arvojen sijaan, työpaikan tilanteen yksittäisessä riskiarvioinnissa, jota emme voi hallita.

Tämä työkalu saattaa aiheuttaa käden ja käsivarren HAV-oireyhtymän ellei sitä käytetä ohjeiden mukaisesti. Käsitärinää (Hand-arm vibration) koskeva EU-opas löytyy osoitteesta <http://www.pneurop.eu/index.php>. Valitse Tools ja sen alta kohta Legislation.

Suosittamme säännöllisiä terveystarkastuksia värinäälälytyksen aiheuttamien, värinääsairauteen viittaavien oireiden havaitsemiseksi ajoissa, jotta työnohjauksella ja työympäristöön vaikuttavilla toimilla voidaan estää oireiden paheneminen tulevaisuudessa.



# Säkerhet och operatörsinstruktion

## Säkerhetsinstruktioner

### Viktig information för säkrare användning av slående verktyg

Denna instruktion följer EC Maskinsäkerhetsdirektiv (2006/42/EG) beträffande bruksanvisningar samt tillämpbara delar av standarder från CEN TC 255 "Hand-held power driven non-electric tools – Safety" (handhållna icke elektriska kraftverktyg – säkerhet)

Dessa föreskrifter omfattar handhavande av maskin, insatsverktyg och utrustning samt underhåll.

Efterföljs inte dessa sedan länge beprövade anvisningar kan allvarliga risker föreligga.

Tillse att operatören har läst och förstått denna instruktion innan maskinen används. Håll instruktionen tillgänglig för framtida bruk.

△

användaren skall noga iaktta följande anvisningar för att undvika felaktig användning och skaderisk.

### Installation

Följ luftberedningsanvisningarna i de trycksaker som medföljer maskinen.

Om smörjning föreskrives – använd endast rekommenderade smörjmedel.

Kontrollera slangdimension och lufttryck.

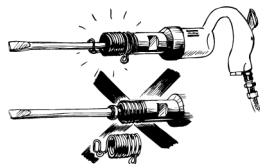
Undvik att luftslangen lossnar från maskinen – kontrollera regelbundet slang, slangnipplar och slangklämmor.

Kontrollera att avloppsluften riktas så att damm och luft från arbetsstycket ej blåser mot användaren eller andra personer. Om möjligt – skärma in arbetsplatsen.

Använd vid behov avloppsslang och dammsug.

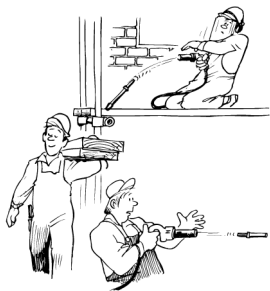
### Undvik olyckor vid användning av maskinen

**1 Genom olyckshändelse kan allvarlig skada inträffa om mejseln eller stansen tappas eller skjuts ut ur verktyget**

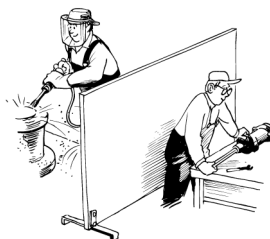


#### För undvikande av skada:

- använd alltid mejsel- eller stanshållare
- kontrollera att hållaren inte är skadad eller sliten

**och:**

- var beredd på att mejselbrott, till följd av utmattning, kan inträffa
- kör aldrig ett slående verktyg fritt i luften utan håll det alltid mot ett arbetsstycke
- tag ut mejseln eller stansen då verktyget inte används
- vid justering, exempelvis byte av tillbehör – koppla bort maskinen från tryckluftsnätet
- vid eventuellt avbrott i energitillförseln – släpp start- och stoppreglaget
- stäng av tryckluftstillförseln då arbetet är färdigt

**2 Spån och gnistor måste hindras från att träffa ögonen eller personer i närheten****För att undvika synskada:**

- bär alltid ögonskydd
- använd skärmar mellan arbetsplatserna
- använd inte maskinen för andra ändamål än den är avsedd för

**3 Undvik kroppsskada genom att använda:**

- skyddshandskar
- skyddsskor
- skyddshjälm
- bär alltid ögonskydd

**4 Om explosionsfara föreligger****För att förhindra person- och egendomsskada genom brand:**

- använd annan arbetsmetod



- använd gnistfria verktyg (t.ex. nålsats av berylliumbrons för nålhacka)

### **5 Undvik elchock**

- undvik att mejsla i eller i närheten av elledningar gömda i väggar etc.

## **Risker för skador vid användning under lång tid**

### **6 Använd alltid hörselskydd**



**För att förhindra att hög ljudnivå orsakar gradvis uppträdande hörselskada**

- använd hörselskydd

### **7 Vibrationer kan förorsaka skador i händer och armar**



- använd vibrationsdämpade verktyg om sådana finns tillgängliga
- minska den totala exponeringstiden för vibrationer, i synnerhet om operatören måste styra mejseln med handen

### **8 Damm som alstras vid arbetet kan vara skadligt**

- använd punktutsug eller andningsmask

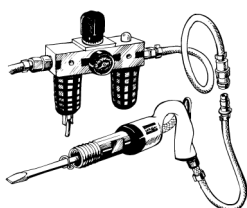
## **Korrekt handhavande och underhåll**

### **9 Kör inte verktyget i tomgång**



- tomgångsslagen förorsakar höga inre påkänningar och förkortar livslängden
- tänk alltid på att mejseln eller stansen kan skjutas iväg om hållaren inte är hel eller felaktigt monterad

### **10 Snabbkoppling**



- om man använder snabbkoppling på ett slående verktyg skall denna vara åtskild från verktyget genom en handslang (längd 0.5 m)

## 11 Översyn

För att erhålla bästa säkerhet och livslängd på maskinen följ de medföljande instruktionerna för smörjning, underhåll och översyn.

**Använd alltid Atlas Copco originaldelar och satser.**

## Varning

Tillse att denna instruktion är läst och förstådd innan maskinen startas.

Maskinen och dess tillbehör får endast användas för avsett ändamål:

- Allmänna mejslings- och rensningsarbeten, godsrensning i gjuterier, håltagning och lättare rivningsarbeten inom byggindustrin (ej för spikning utan speciella tillsatser).

**RRC 13N** – för rensning av stålkonstruktioner från svetslagg, rost och färg.

Av produktsäkerhetsskäl måste varje modifiering av maskinen och dess tillbehör godkännas av tillverkarens tekniskt ansvarige

## RRC 13B

- Vid renblåsning av arbetsstycket skall maskinens avlopp vara riktat från operatör och intillvarande personer.

## Allmän information

### EG-FÖRSÄKRAN OM ÖVERENSSTÄMMELSE

Vi, **Atlas Copco Industrial Technique AB**, S-105 23 STOCKHOLM, SVERIGE förklarar att produkten (med namn, typ och serienummer, se första sidan) överensstämmer med följande direktiv:

**2006/42/EC**

Harmoniserade standarder tillämpas:

**ISO 11148-4**

Tekniskt dokument tillgängligt från:

Kvalitetschefen, Atlas Copco Industrial Technique, Stockholm, Sweden

Stockholm, 1 juli 2013

**Tobias Hahn, VD**

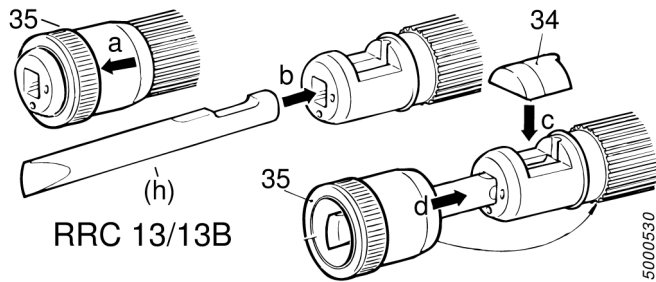


Utgivarens signatur

## Installation

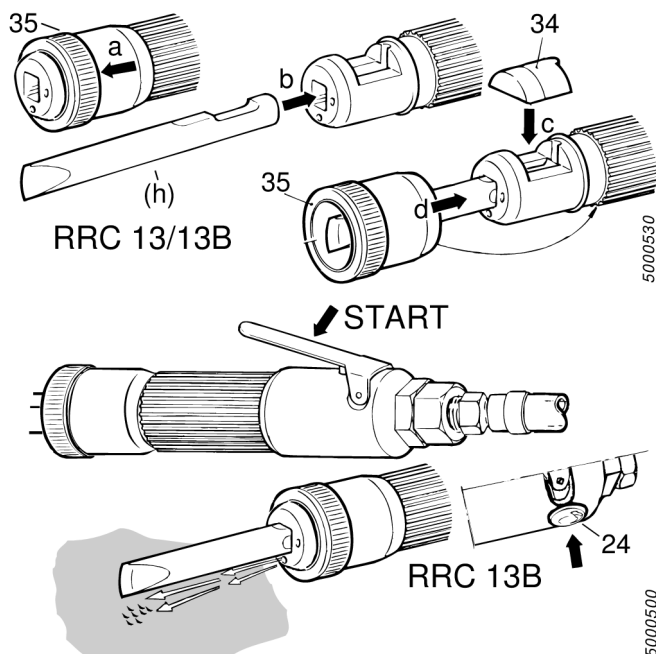
### Installation

#### RRC 13



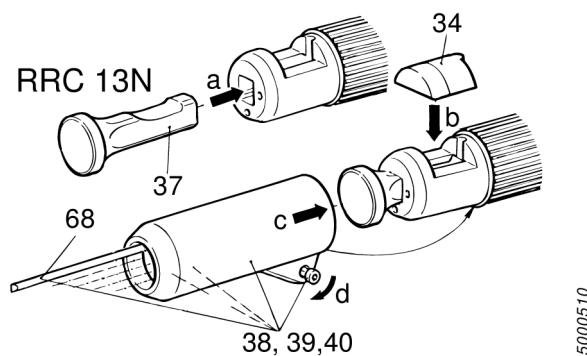
- Montera mejsel (h), se figur.

#### RRC 13B



- Montera mejsel (h), se figur.

#### RRC 13N



- Montera nålsats (j; 68), se figur.  
Använd alltid kompletta nålsatser med samma nållängd, för att få full kapacitet hos maskinen.

## Luftkvalitet

- För bästa prestanda och maximal livslängd för utrustningen rekommenderar vi att man använder tryckluft med en maximal daggpunkt +10°C. Vi rekommenderar även att man installerar en Atlas Copco lufttorkare med kylfunktion.
- Använd ett separat luftfilter av typ Atlas Copco FIL. Detta filter tar bort fasta partiklar som är större än 15 mikron, och det tar också bort över 90 % av vatten i vätskeform. Filtret ska installeras så nära maskinen/utrustningen som möjligt, och före övrig luftberedningsutrustning som t.ex. REG eller DIM (se Trycklufttillbehör i vår huvudkatalog). Blås ren slangen före anslutning.

### Modeller som kräver luftsmörjning:

- Tryckluften måste innehålla en liten mängd olja. Vi rekommenderar starkt att man installerar en Atlas Copco oljedimsmörjare (DIM). Denna ställs in efter luftförbrukningen på tryckluftverktyg enligt formeln:

**L** = Luftförbrukningen (liter/s).

(Återfinns i vår försäljningslitteratur).

**D** = Antal droppar/min (1 droppe = 15 mm<sup>3</sup>)

**L \* 0,2 = D**

detta gäller vid användning av tryckluftverktyg som har långa arbetscykler. Man kan även använda en enpunktssmörjare typ Atlas Copco Dosol, för verktyg som har korta arbetscykler.

Information om Dosol-inställningar finns under Trycklufttillbehör i vår huvudkatalog.

### Smörjfria modeller:

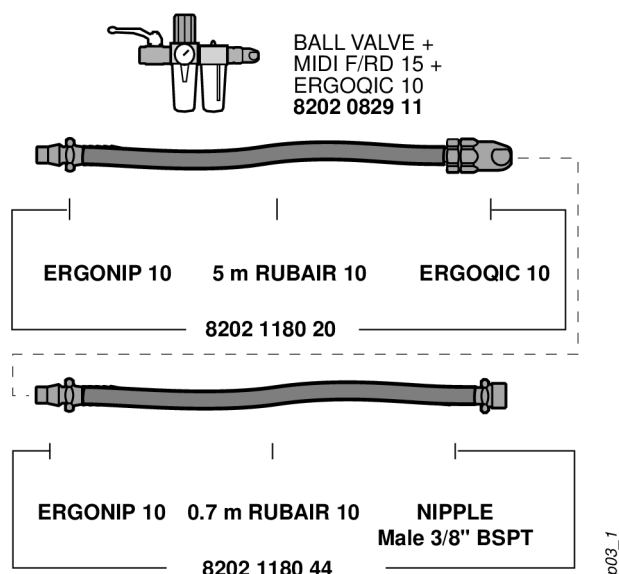
- Vad gäller smörjfria verktyg är det upp till kunden att avgöra vilken kringutrustning som ska användas. Det är dock ingen nackdel om tryckluften innehåller en liten mängd olja som t.ex. matas från en dimsmörjare (DIM) eller ett Dosol-system.  
**OBS** – Ett undantag från detta är turbinverktyg som ska hållas fria från olja.

## Anslutning för tryckluft

- Maskinen är avsedd för ett arbetstryck på 6–7 bar = 600 –700 kPa = 87–102 psi.
- Blås ren slangen innan den ansluts.

## Installationsförslag

Det kan vara problematiskt att välja rätt kopplingar, slangar och klämmor, med all information som man ska ta hänsyn till. För att spara tid och för att hjälpa dig få rätt kapacitet i din tryckluftsinstallation, från lufttuttaget till verktyget, har vi tagit fram installationsförslag för respektive verktyg.



Mer information finns i Atlas Copco Power Tools katalog över industriapplikationer, beställningsnummer 9837 3000 01.

## Underhåll

### Smörjning

Mejselhammaren skall tillföras olja en gång per skift i en mängd av cirka 10 droppar. Oljan droppas i luftslangen eller genom förskruvning (16). Vid kontinuerlig drift rekommenderas installation i tryckluftnätet av Atlas Copco dimsmörjapparat.

Använd smörjmedel av god kvalitet. De i smörjtabellen angivna smörjmedlen utgör exempel på sådana som kan rekommenderas.

### Rekommenderade smörjfetter

| Fabrikat | Fett                 | Luftsmörjning |
|----------|----------------------|---------------|
| BP       | Energrease LS-EP2    | Energol E46   |
| Esso     | Beacon EP2           | Arox EP46     |
| Q8       | Rembrandt EP2        | Chopin 46     |
| Mobil    | Mobilegrease XHP 222 | Almo Oil 525  |
| Shell    | Alvania EP2          | Torcula 32    |
| Texaco   | Multifak EP2         | Aries 32      |
| Molycote | BR2 Plus             |               |

## Översyn

Om maskinen används dagligen skall översyn och rengöring utföras var 6:e månad.

Filtret innanför förskruvningen (16) bör rengöras ofta för att inte förorsaka strypning och därmed minskad effekt.

## Användbar information



Logga in på Atlas Copco [www.atlascopco.com](http://www.atlascopco.com)

Du kan hitta information om våra produkter, tillbehör, reservdelar och publicerade ärenden på vår webbplats.

## Ergonomiska riktlinjer

Tänk på din arbetsstation när du läser igenom denna förteckning över allmänna ergonomiska riktlinjer och se om du kan identifiera områden som kan förbättras när det gäller hållning, placering av komponenter, eller arbetsmiljö.

- Ta paus och ändra arbetsställning ofta.
- Anpassa arbetsplatsens utseende så att det passar dina behov och arbetsuppgiften.
  - Se till att allt finns inom bekvämt räckhåll så att verktyg och delar är lättåtkomliga och att du undviker statisk belastning.
  - Använd utrustning som t.ex. bord och stolar som är lämpliga för arbetsuppgiften.
- Undvik att arbeta över axelhöjd eller med statiska grepp vid monteringsarbete.
  - Vid arbeten över axelhöjd, minska den statiska belastningen på musklerna genom att minska verktygets vikt, med hjälp av t.ex. momentarmar, slangvindor eller balanseringsdon. Du kan även minska den statiska belastningen på musklerna genom att hålla verktyget nära kroppen.
  - Ta paus ofta.
  - Undvik extrema arm- och handledsställningar, speciellt vid moment som kräver att du tar i.
- Justera så att du har ett bekvämt synfält så att du kan minimera rörelsen av ögon och huvud under arbetet.
- Använd lämplig belysning för arbetet.
- Välj lämpligt verktyg för arbetet.
- Använd hörselskydd där det förekommer buller.
- Använd högkvalitativa insatta verktyg eller förbrukningsartiklar för att minimera exponeringen av höga nivåer av vibrationer.
- Minimera exponeringen för reaktionskrafter.
  - Vid kapning:

En kapskiva kan fastna om skivan antingen är böjd eller om den inte styrs korrekt. Se till att använda rätt flänsar för kapskivor och undvik att böja skivan under kapningen.
  - Vid borring:

Borren kan stanna när borren bryter igenom. Kontrollera att du använder stödhandtag om stoppmomentet är för högt. Säkerhetsstandarden ISO11148 del 3 rekommenderar att man använder något för att ta upp reaktionsmomentet över 10 Nm för verktyg med pistolgrepp och 4 Nm för vanliga verktyg.
  - Vid användning av direktdrivna skruv- eller mutterdragare:

Reaktionskrafter beror på inställningen av verktyg och gemensamma egenskaper. Förmågan att klara av reaktionskrafter beror på operatörens styrka och kroppsställning. Anpassa inställningsmomentet till operatörens styrka och kroppsställning och använd en momentarm eller mothåll om vridmomentet är för högt.

- Använd ett dammsugningssystem eller andningsmask i dammiga miljöer.

## Ursprungsland

Se informationen på produktetiketten.

## Reservdelar

Artiklar utan beställningsnummer levereras inte separat av tekniska skäl. Detsamma gäller för delar som ingår i servicesatser.

Om andra delar än originalreservdelar från Atlas Copco används kan det leda till försämrad funktion och att mer underhåll krävs. Det kan även leda till att alla garantier upphör att gälla.

## Garanti

Kontakta Atlas Copcos försäljningsrepresentant i din region vid garantifrågor. Garantin gäller endast om produkten installerats, använts och genomgått service enligt de anvisningar som medföljde verktyget/maskinen.

Se även de leveransvillkor som gäller hos det lokala Atlas Copco-företaget.

## ServAid

ServAid är ett verktyg för att tillhandahålla uppdaterad produktinformation om:

- Säkerhetsanvisningar
- Monterings-, drift- och serviceanvisningar
- Sprängskisser

ServAid underlättar beställning av reservdelar, serviceverktyg och tillbehör för din produkt. Det uppdateras kontinuerligt med information om nya och omkonstruerade produkter.

ServAid kan användas för att vissa innehåll på ett visst språk, om det finns översättningar, och för att visa information om utgångna produkter. I ServAid finns en avancerad sökfunktion med hela vårt produktsortiment.

ServAid finns på DVD och på internet:

<http://servaidweb.atlascopco.com>

För ytterligare information kontakta din återförsäljare för Atlas Copco eller skicka e-post på adressen:

[servaid.support@se.atlascopco.com](mailto:servaid.support@se.atlascopco.com)

## Säkerhetsdatablad MSDS/SDS

Säkerhetsdatabladerna beskriver kemiska produkter som säljs av Atlas Copco.

För mer information, gå till webbplatsen

<http://www.atlascopco.com/>.

Välj **Produkter – Säkerhetsdatablad**, och följ instruktionerna på sidan.

## Tekniska data

### Tekniska data

#### Ljud och vibrationer

| <b>Buller (i enlighet med ISO15744)</b> | <b>dB(A)</b> |
|---|--------------|
| Ljudtrycksnivå                          | 91           |
| Ljudeffektnivå                          | 102          |
| Osäkerhet                               | 3            |

| <b>Totalt vibrationsvärde, giltigt från 2010<br/>(3-axligt värde i enlighet med ISO28927-9)</b> | <b>m/s<sup>2</sup></b>      |
|---|-----------------------------|
| Vibrationsvärde   | 11.5(13) 11.5(13B) 8.1(13N) |
| Osäkerhet   | 2.7(13) 2.7(13B) 1.8(13N)   |

#### Meddelande om buller & vibrationer

Dessa värden har uppmätts i laboratoriemiljö enligt gällande standard. Värdena kan användas för att jämföra andra verktygsvärden som har uppmätts enligt samma standarder. Värdena som anges här bör inte användas vid riskbedömning och på vissa arbetsplatser kan de uppmätta värdena vara högre. Det faktiska värdet och den faktiska skaderisken som en enskild användare utsätts för är individuella och beror på en rad faktorer såsom arbetssätt, utformning på arbetsstycket och arbetsstationen, hur länge individen utsätts för påfrestningar och individens fysiska hälsa.

Vi på **Atlas Copco Industrial Technique AB**, kan inte hållas ansvarsskyldiga för konsekvenserna av att använda de angivna värdena istället för värden som återspeglar den faktiska exponeringen vid en individuell riskbedömning på en arbetsplats över vilken vi inte har någon kontroll.

Detta verktyg kan orsaka vibrationssyndrom på handen-armen om verktyget inte hanteras på rätt sätt. En EU-guide för hantering av hand-armvibrationer återfinns på webbplatsen <http://www.pneurop.eu/index.php> under 'Tools' (Verktyg) sedan 'Legislation' (Lagstiftning).

För att förebygga eventuella framtida åkommor rekommenderar vi att hälsokontroller genomförs för att upptäcka tidiga symptom som kan bero på vibrationsrelaterade arbetsuppgifter.





## Инструкции по эксплуатации и технике безопасности

### Инструкции по технике безопасности

#### Важные указания для безопасного использования ударных инструментов

Это руководство соответствует требованиям директивы ЕС по машинам (2006/42/ЕС), касающимся инструкций для оператора, а также соответствующим отдельным стандартам технического комитета CEN TC 255 «Ручные неэлектрические инструменты с приводом — Безопасность». Эти инструкции касаются эксплуатации и технического обслуживания инструмента, режущих инструментов и оборудования.

Пренебрегая этими общепринятыми рекомендациями, вы подвергаете себя и окружающих серьезной опасности.

Необходимо, чтобы работающий с инструментом был ознакомлен с приведенными ниже рекомендациями и имел постоянный доступ к соответствующим материалам.

△

Во избежание несчастных случаев и неверного использования инструмента обеспечьте принятие работающим следующих мер.

#### Установка

Следуйте инструкциям по подготовке системы подачи воздуха, которые в печатном виде прилагаются к инструменту.

Если необходимо проведение смазки, то следует использовать только рекомендуемые виды смазочных материалов.

Проверяйте размер шланга и давление воздуха.

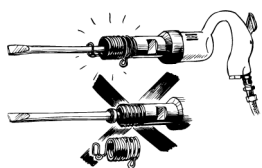
Избегайте провисания шланга, регулярно проверяйте шланг, штуцер шланга и состояние зажимов.

Отработанный воздух должен быть направлен в сторону, чтобы пыль и воздух с обрабатываемой детали не попадали на оператора или других людей. По возможности устанавливайте ограждения.

При необходимости используйте выпускной шланг и приспособление для сбора пыли.

#### Предотвращение несчастных случаев при работе с инструментом

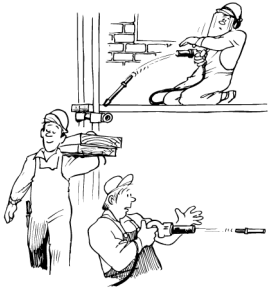
**1 Долото, насадка или пробойник могут выпасть или случайно вылететь из инструмента, что может привести к серьезной травме**



Для предотвращения травмы от летящего долота

- всегда используйте фиксатор;

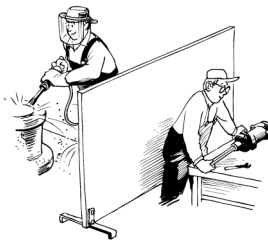
- регулярно осматривайте фиксатор для обнаружения износа или повреждения;



кроме того,

- имейте в виду, что во время работы долото может сломаться из-за усталости металла;
- никогда не включайте инструмент, если он не направлен на обрабатываемую деталь;
- по окончании работы выньте из инструмента долото, насадку или пробойник;
- перед сменой приспособлений, долота или насадки отсоедините инструмент от магистрали подачи воздуха;
- при прерывании энергоснабжения зафиксируйте устройство запуска и остановки;
- по завершении работы отсоедините инструмент от магистрали подачи воздуха.

## **2 Как избежать попадания стружки и искр в глаза оператора или в другого человека**



**Во избежание потери зрения:**

- всегда используйте средства защиты глаз;
- рабочие места такого рода следует изолировать друг от друга перегородками;
- используйте инструмент только по назначению.

## **3 Во избежание травм тела используйте**

- перчатки;
- защитную обувь;
- каски.
- всегда используйте средства защиты глаз;

#### **4 Нельзя допускать возгорания взрывоопасной атмосферы**



Во избежание травм и материального ущерба от огня

- используйте другие приемы;
- используйте принадлежности из неискрящего материала (например, игольчатую насадку из бериллиево-медного сплава для игольчатого зачистного молотка)

#### **5 Удар электрическим током может привести к смертельной травме**

- при работе не допускайте контакта ударных инструментов с электропроводкой в стенах и пр.

#### **Долговременные риски при использовании инструмента**

##### **6 Всегда используйте средства защиты ушей**



Во избежание постепенной потери слуха в результате воздействия высоких уровней шума:

- используйте средства защиты органов слуха.

##### **7 Вибрация может представлять опасность для рук**



- При возможности используйте инструменты с антивибрационной изоляцией
- Уменьшите общее время воздействия вибрации, особенно если оператор должен вручную направлять долото.

##### **8 Пыль, образующаяся во время работы, может представлять опасность**

- Используйте локальную вытяжку или дыхательные аппараты

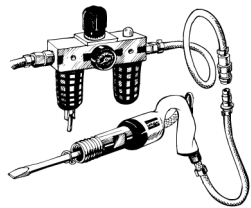
## Надлежащее использование и техобслуживание

### 9 Не производите холостые удары молотком



- они приводят к значительным внутренним напряжениям и сокращают срок службы инструмента
- помните об опасности вылета долота, насадки или пробойника при неисправном фиксаторе.

### 10 Быстрое соединение



- если на ударном инструменте используется быстрое соединение, то оно должно быть отделено от инструмента шлангом длиной 0,5 м

### 11 Техническое обслуживание

При соблюдении прилагаемых к инструменту инструкций по смазке, техническому обслуживанию и ремонту срок службы инструмента будет долгим, а работа с ним — безопасной.

**Используйте только оригинальные запасные комплекты и детали компании Atlas Copco.**

### Предупреждение

Убедитесь, что вы ознакомились с руководством оператора до начала работы с инструментом.

Этот инструмент, его основные и дополнительные принадлежности должны использоваться только в тех целях, для которых они предназначены:

- Работы общего назначения по скалыванию и удалению окалины, очистка отливок в литейном производстве, обработка отверстий и легкий снос в строительной промышленности (**не для забивки гвоздей без соответствующих насадок**).

**RRC 13N** — для удаления сварочной окалины, ржавчины и краски со стальных конструкций.

Из соображений обеспечения надежности и безопасности изделия внесение любых изменений в данную машину, в ее насадки и принадлежности необходимо предварительно согласовать с уполномоченным техническим представителем изготовителя.

### RRC 13B

- При использовании данного инструмента с целью продувки обрабатываемой детали направляйте выпускаемый из него воздух в сторону от оператора и коллег.

## Общие сведения

### ЗАЯВЛЕНИЕ О СООТВЕТСТВИИ НОРМАМ ЕС

Компания **Atlas Copco Industrial Technique AB**, зарегистрированная по адресу: S-105 23 STOCKHOLM, SWEDEN, заявляет, что данное изделие (наименование, тип и серийный номер которого указаны на титульном листе) соответствует положениям следующих директив.

**2006/42/ЕС**

Были применены следующие согласованные стандарты.

**ISO 11148-4**

Техническую информацию можно получить здесь:

Quality Manager (управляющий качеством), Atlas Copco Industrial Technique, Stockholm, Sweden

Стокгольм, 01 июля 2013 г.

**Тобайес Хан (Tobias Hahn), управляющий директор**

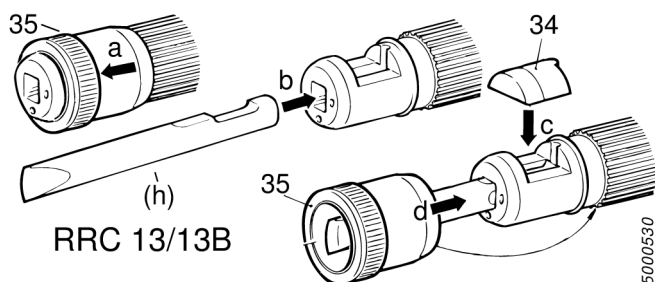


Подпись заявителя

## Установка

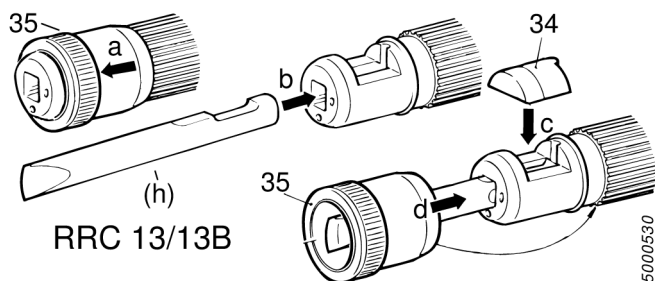
### Установка

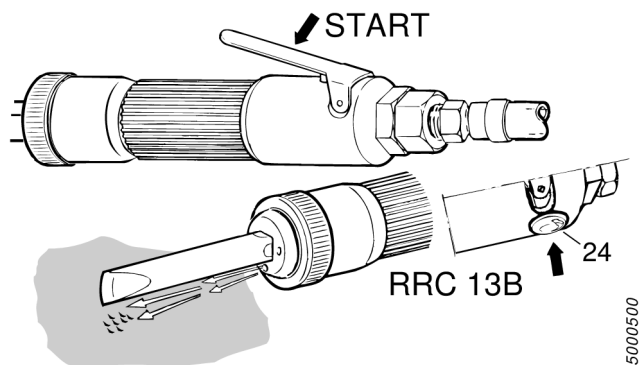
#### RRC 13



- Установите резец (h), см. рисунок.

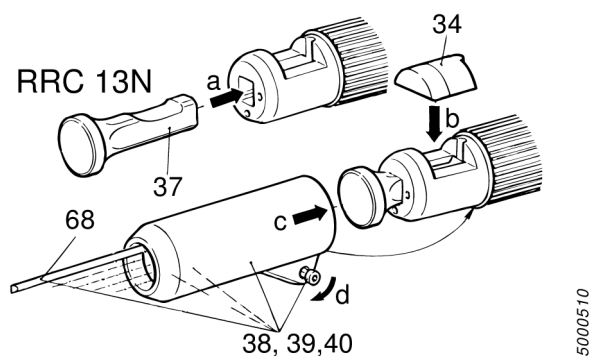
#### RRC 13B





- Установите резец (h), см. рисунок.

### RRC 13N



- Установите набор игл (j; 68), см. рисунок.  
Для достижения максимальной производительности устройства следует всегда использовать полные наборы игл одинаковой длины.

### Качество воздуха

- Чтобы обеспечить оптимальную производительность и максимально долгий срок службы инструмента, рекомендуется использовать сжатый воздух с точкой росы до +10 °С. Кроме того, рекомендуется установить осушитель воздуха рефрижераторного типа производства компании Atlas Copco.
- Следует использовать отдельный воздушный фильтр типа Atlas Copco FIL. Такой фильтр удаляет твердые частицы крупнее 15 микрон и более 90 % жидкой воды. Фильтр монтируется как можно ближе к инструменту, непосредственно перед другим устройством очистки воздуха, например, REG или DIM (см. раздел "Принадлежности для линии подачи воздуха" нашего основного каталога). Прежде чем приступить к подключению, продуйте шланг.

### Модели, нуждающиеся в воздушной смазке:

- В сжатом воздухе должно присутствовать небольшое количество масла.

Настоятельно рекомендуется установить маслораспылитель однократного распыления (DIM) производства компании Atlas Copco. Его настройка в зависимости от параметров воздухозабора пневмомагистрального инструмента рассчитывается по следующей формуле:

**L** = воздухозабор (л/сек).

(См. наши торговые проспекты).

**D** = число капель в минуту (1 капля = 15 мм<sup>3</sup>)

**L\* 0,2 = D**

Это относится к пневмомагистральным инструментам длительного рабочего цикла. С инструментами кратковременного рабочего цикла можно также использовать точечный маслораспылитель типа Dosol. Информацию о настройке распылителя Dosol см. в разделе "Принадлежности для линии подачи воздуха" нашего основного каталога.

**Модели, не нуждающиеся в смазке:**

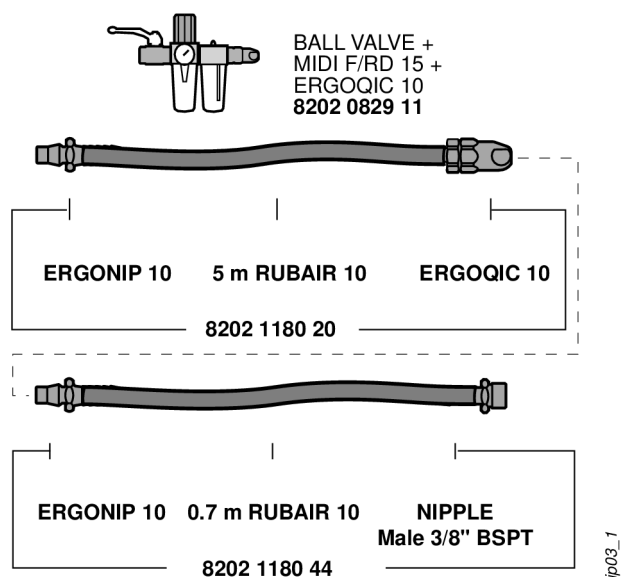
- Что касается инструментов, не требующих смазки, то решение об установке периферийного оборудования остается на усмотрение заказчика. При этом в сжатом воздухе допускается небольшое количество масла, например, из маслораспылителя DIM или Dosol. Это не относится к турбоинструментам, попадание масла в которые недопустимо.

**Подключение пневмомагистрали**

- Инструмент рассчитан на рабочее давление в 6–7 атм = 600–700 кПа.
- Перед подсоединением продуйте шланг.

**Предложение по установке**

Бывает непросто подобрать правильные муфты, шланг и зажимы. Чтобы сэкономить время и обеспечить необходимую мощность линии подачи воздуха (от точки отвода до инструмента), воспользуйтесь нашим предложением по установке.



Дополнительную информацию смотрите в основном каталоге компании Атлас Копко, заказной № 9837 3000 01.



## Maintenance

### Смазка

Инструмент следует смазывать маслом в объеме около 10 капель один раз в смену. Масло можно закапать либо в воздушный шланг, либо прямо через адаптер (16). Если инструмент работает в непрерывном режиме, на линию подачи сжатого воздуха рекомендуется установить приспособление для смазки масляным туманом Atlas Copco.

□ Используйте смазку высокого качества. Масла, приведенные в таблице смазки, являются примерами смазочных материалов, которые могут быть рекомендованы к использованию.

### Руководство по консистентной смазке

| Марка    | Смазка               | Воздух смазки |
|----------|----------------------|---------------|
| BP       | Energrease LS-EP2    | Energol E46   |
| Esso     | Beacon EP2           | Arox EP46     |
| Q8       | Rembrandt EP2        | Chopin 46     |
| Mobil    | Mobilegrease XHP 222 | Almo Oil 525  |
| Shell    | Alvania EP2          | Torcula 32    |
| Texaco   | Multifak EP2         | Aries 32      |
| Molycote | BR2 Plus             |               |

### Переборка

Если данный инструмент используется ежедневно, его следует перебирать и чистить каждые шесть месяцев.

Следует регулярно очищать фильтр адаптера (16), чтобы предотвратить его забивание и последующее снижение пропускной способности.

### Полезные сведения



Войдите на веб-сайт Atlas Copco: [www.atlascopco.com](http://www.atlascopco.com).

На нашем веб-сайте вы можете найти информацию о наших изделиях, принадлежностях, запасных частях, а также печатные материалы.

### Рекомендации по эргономике

При прочтении данного перечня общих эргономических рекомендаций соотносите их со своей рабочей станцией, чтобы понять, можно ли выявить области для улучшения с точки зрения позы, размещения компонентов или производственных условий.

- Чаще делайте перерывы в работе и меняйте рабочие положения.
- Приспособьте пространство рабочего места в соответствии со своими потребностями и рабочим заданием.
  - Расположите детали и инструменты в удобной для вас зоне досягаемости во избежание статического движения.
  - Используйте оборудование рабочего места, такое как столы и стулья, подходящее для рабочего задания.

- Во время сборочных операций избегайте рабочих положений выше уровня плеч или со статической нагрузкой.
  - При работе на уровне выше плеч снижайте нагрузку на статические мышцы, уменьшая вес инструмента, используя, например, моментные рычаги, шланговые барабаны или весовые балансиры. Нагрузку на статические мышцы также можно уменьшить, держа инструмент близко к телу.
  - Обязательно чаще делайте перерывы.
  - Избегайте крайних положений рук и запястий, особенно при выполнении операций, требующих определенных усилий.
- Отрегулируйте свое поле зрения, сведя к минимуму движения глаз и головы при выполнении рабочего задания.
- Используйте освещение, соответствующее рабочему заданию.
- Выбирайте инструмент, соответствующий рабочему заданию.
- В условиях высокого шума используйте средства защиты органов слуха.
- Используйте высококачественные вставные инструменты или расходные материалы, чтобы свести к минимуму воздействие повышенных уровней вибрации.
- Минимизируйте действие сил реакции.
  - При резке:

Отрезной круг может застрять, если он изогнут или не направляется надлежащим образом. Обязательно используйте соответствующие фланцы для отрезных кругов и избегайте изгибания круга в процессе резки.
  - При сверлении:

Дрель может застопориться при выходе сверла из материала. Обязательно используйте опорные рукоятки, если крутящий момент при стопорении слишком высок. В соответствии со стандартом безопасности ISO 11148, часть 3, рекомендуется использовать средства для поглощения реактивного момента свыше 10 Нм для инструментов с пистолетной рукояткой и свыше 4 Нм для инструментов с прямым корпусом.
  - При использовании шуруповертов или гайковертов с непосредственным приводом необходимо учитывать следующее.

Силы реакции зависят от настроек инструмента и характеристик соединения. Способность выдерживать силы реакции зависит от силы и положения оператора при работе. Скорректируйте значение момента в соответствии с силой и положением оператора и используйте моментный рычаг или реактивную штангу, если момент слишком высок.
- В условиях запыленности используйте систему вытяжки пыли или защитную маску.

## Страна происхождения

См. информацию на этикетке изделия.

## Запасные части

По техническим причинам детали без номера заказа отдельно не поставляются.

Использование нефирменных запчастей может снизить производительность инструментов Atlas Copco и увеличить объем работ по их техническому обслуживанию; кроме того, компания может по своему усмотрению аннулировать все гарантии.

## Гарантия

С претензиями по поводу изделий обращайтесь к местному торговому представителю компании Atlas Copco. Гарантия действует только в том случае, если установка, эксплуатация и переборка изделия осуществлялись в соответствии с инструкцией по эксплуатации.

Кроме того, изучите условия поставки, действующие в местном филиале компании Atlas Copco.

## Программа ServAid

ServAid — это утилита для предоставления обновленной информации об изделиях относительно:

- инструкций по технике безопасности;
- инструкций по установке, эксплуатации и техобслуживанию;
- покомпонентных изображений.

Утилита ServAid облегчает процесс заказа запасных частей, инструментов для техобслуживания и принадлежностей для выбранного вами изделия. Она постоянно обновляется информацией о новых и модернизированных изделиях.

Вы можете использовать ServAid для представления содержимого на конкретном языке (при наличии переведенных версий) и отображения информации об устаревших изделиях. ServAid обеспечивает расширенные возможности поиска по всей номенклатуре нашей продукции.

Утилита ServAid предлагается на DVD-диске и на веб-сайте:

<http://servaidweb.atlascopco.com>

Для получения дополнительной информации обратитесь к местному торговому представителю компании Atlas Copco или напишите нам по адресу эл. почты:

[servaid.support@se.atlascopco.com](mailto:servaid.support@se.atlascopco.com)

## Паспорта безопасности (MSDS / SDS)

В паспортах безопасности описаны химические продукты, продаваемые компанией Atlas Copco.

Более подробная информация представлена на веб-сайте <http://www.atlascopco.com/>.

Выберите **Продукты – Паспорта безопасности** и следуйте указаниям на странице.

## Технические характеристики

### Технические данные

#### Шум и вибрация

| Шум (в соответствии с ISO15744) | дБА |
|---------------------------------|-----|
| Уровень звукового давления      | 91  |
| Уровень звуковой мощности       | 102 |
| Погрешность                     | 3   |

#### Суммарное значение вибрации, действительно с 2010 г.

(значение по трем осям в соответствии с ISO28927-9)

|                   | м/с <sup>2</sup>            |
|-------------------|-----------------------------|
| Значение вибрации | 11.5(13) 11.5(13B) 8.1(13N) |
| Погрешность       | 2.7(13) 2.7(13B) 1.8(13N)   |

#### Декларация по шумам и вибрации

Заявленные значения были получены при помощи лабораторных тестов, проведенных в соответствии с установленными стандартами, могут быть использованы для сравнения с заявленными значениями, полученными при испытании других инструментов в соответствии с теми же стандартами. Эти заявленные значения неприменимы для оценки риска; результаты фактических измерений при работе на индивидуальном рабочем месте могут быть выше. Фактические значения воздействия и риск ущерба, которым подвергается пользователь, индивидуальны и зависят от метода работы, изделия и устройства рабочего места, а также от времени воздействия и физического состояния пользователя.

Компания **Atlas Copco Industrial Technique AB** не может нести ответственность за последствия использования заявленных значений вместо значений, отражающих фактическое воздействие, при оценке индивидуальных рисков в ситуации на рабочем месте, которую компания не в состоянии контролировать.

При неправильной работе с этим инструментом он может вызвать вибрационный синдром рук/кистей. Информацию о нормах ЕС в отношении вибрации рук см. на сайте <http://www.pneurop.eu/index.php> в разделе and "Tools" и далее – "Legislation".

Мы рекомендуем программу контроля за здоровьем, которая обеспечивает раннее обнаружение симптомов вредного воздействия вибрации и позволяет своевременно пересмотреть процедуры обслуживания, чтобы предотвратить дальнейшее ухудшение.



## Instrukcja obsługi

### Instrukcje dotyczące bezpieczeństwa

#### Ważne informacje dotyczące bezpiecznego użycia narzędzi pneumatycznych

W tym podręczniku zawarto informacje zgodne z wytycznymi Dyrektywy Maszynowej WE (2006/42/WG) dotyczącymi obsługi oraz właściwymi wytycznymi norm CEN TC 255 „Hand-held power driven non-electric tools – Safety” (Narzędzia ręczne niezasilane elektrycznie — bezpieczeństwo). Instrukcje te dotyczą obsługi, eksploatacji, osprzętu wymiennego oraz konserwacji.

Niestosowanie się do tych zaleceń, opracowanych na bazie wieloletnich doświadczeń, może stwarzać poważne zagrożenie.

Należy zwrócić szczególną uwagę na to, aby operator zapoznał się z poniższymi zaleceniami, zrozumiał je i miał do nich nieograniczony dostęp.

△

należy zwrócić szczególną uwagę na poniższe środki ostrożności; operator powinien stosować je, aby uniknąć zagrożeń związanych z użyciem niezgodnie z przeznaczeniem lub wypadkiem

#### Instalacja

Należy postępować zgodnie z instrukcjami dotyczącymi przygotowania powietrza zamieszczonymi w dołączonych do urządzenia instrukcjach.

Jeśli zalecane jest smarowanie, należy stosować wyłącznie zalecane środki smarne.

Sprawdzić średnicę przewodu i ciśnienie powietrza.

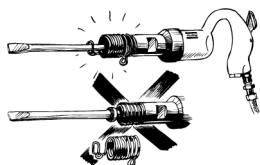
Unikać zagrożenia związanego z gwałtownymi ruchami uwolnionej końcówki przewodu; systematycznie kontrolować przewód, złącza i sposób zamocowania.

Dopilnować, aby powietrze wylatujące z narzędzia było skierowane tak, by pył lub powietrze z obrabianego elementu nie były wydmuchiwane na operatora i inne znajdujące się w pobliżu osoby. Jeśli to możliwe, stosować bariery fizyczne w formie ekranów.

Jeśli to konieczne, stosować przewody wylotowe i wyciąg pyłów.

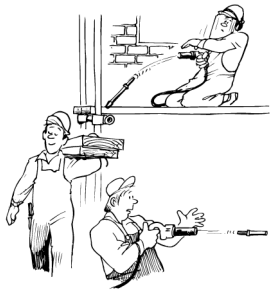
#### Unikać wypadków podczas korzystania z narzędzia

**1 Dłuto, nóż zakosowy dolny lub górny mogą odpaść lub mogą zostać przypadkowo wyrzucone z narzędzia, powodując poważne obrażenia ciała**

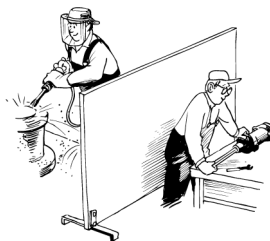


**Aby uniknąć obrażeń spowodowanych przez wyrzucone dłuto:**

- zawsze należy używać elementu ustalającego
- systematycznie sprawdzać, czy element ustalający nie uległ zużyciu lub uszkodzeniu

**oraz:**

- należy zachować ostrożność, ponieważ dłuto może złamać się podczas pracy w wyniku zmęczenia materiału
- nigdy nie należy włączać narzędzia, dopóki znajduje się w nim obrabiany przedmiot
- po zakończeniu pracy należy wyjąć z narzędzia dłuto, nóż zakosowy górny i dolny
- przed zmianą akcesoriów, dłuta lub noża zakosowego górnego — należy odłączyć narzędzie od źródła doprowadzania powietrza
- w przypadku braku zasilania należy zwolnić urządzenie uruchamiające i zatrzymujące
- po zakończeniu pracy należy odłączyć narzędzie od źródła doprowadzania powietrza

**2 Należy zapobiegać dostaniu się wiórów i iskier do oka lub na ciało innego pracownika****Aby uniknąć utraty wzroku:**

- zawsze należy nosić ochronę oczu
- należy odizolować prace tego typu przez zastosowanie barier fizycznych między stanowiskami pracy
- narzędzia należy używać wyłącznie zgodnie z przeznaczeniem

**3 Unikać obrażeń ciała, używając:**

- rękawic
- butów ochronnych
- kasku
- zawsze należy nosić ochronę oczu

#### **4 W atmosferze wybuchowej konieczne jest zapobieganie zapłonowi**



#### **Aby uniknąć wypadków i uszkodzeń sprzętu wskutek pożaru:**

- należy zastosować inną technikę pracy
- używać akcesoriów z materiałów nie powodujących powstawania iskier (np. nasadki odbijaka igłowego ze stopu miedziowo-berylowego)

#### **5 Porażenie prądem może być śmiertelne**

- unikać dłutowania ścian, w których mogą znajdować się ukryte przewody elektryczne itp.

### **Podczas korzystania z narzędzia istnieje szereg zagrożeń**

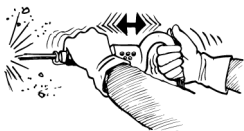
#### **6 Zawsze nosić ochronę słuchu**



#### **Aby uniknąć stopniowej utraty słuchu w wyniku narażenia na hałas:**

- nosić ochronę słuchu

#### **7 Działanie drgań może mieć szkodliwy wpływ na dłonie i ramiona**



- używać narzędzi z tłumikami drgań, o ile to możliwe
- zmniejszyć łączny czas narażenia na działanie drgań, szczególnie, jeżeli operator musi prowadzić dłuto ręcznie

#### **8 Pył powstający podczas pracy może być szkodliwy**

- używać odciągów miejscowych lub masek do oddychania

### **Prawidłowe użycie i konserwacja**

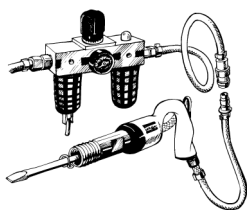
#### **9 Nie dopuszczać do jałowej pracy młota**





- spowoduje to wysokie naprężenia wewnętrzne i skrócenie żywotności narzędzia
- jeżeli element ustalający nie jest na swoim miejscu, należy pamiętać o ryzyku wyrzucenia dłuta, noża zakosowego górnego i dolnego

## 10 Szybkozłącza



- jeżeli wraz z narzędziem pneumatycznym używane jest szybkozłącze, należy je odseparować od narzędzia za pomocą przewodu ciśnieniowego (długość 0,5 m)

## 11 Konserwacja

Przestrzeganie instrukcji dotyczących smarowania, konserwacji i napraw, dostarczonych wraz z narzędziem, zapewnia długą żywotność i bezpieczną eksploatację narzędzia.

**Należy używać wyłącznie oryginalnych zestawów i części zamiennych firmy Atlas Copco.**

## Ostrzeżenie

Przed użyciem narzędzia należy zaznajomić się z instrukcjami dotyczącymi jego obsługi.

Narzędzi, elementów dodatkowych i akcesoriów należy używać wyłącznie zgodnie z ich przeznaczeniem, czyli:

- Ogólne prace z zakresu dłutowania, czyszczenia przez dłutowanie, oczyszczanie odlewów w odlewniach, wykonywanie otworów i lekkie prace rozbiórkowe w budownictwie ( **nie do gwoździowania** bez właściwego osprzętu).

**RRC 13N** - do usuwania żużla spawalniczego, rdzy i farby z konstrukcji stalowych.

Ze względu na odpowiedzialność produktową oraz ze względów bezpieczeństwa wszelkie zmiany konstrukcji maszyny, jej elementów dodatkowych lub akcesoriów muszą zostać zatwierdzone przez upoważnionego pracownika technicznego producenta.

## RRC 13B

- Podczas pracy narzędzia, by przedmuchać przedmiot obrabiany do czysta - bezpośredni wylot powietrza z narzędzia operatora i współpracowników

## Informacje ogólne

### DEKLARACJA ZGODNOŚCI WE

Firma **Atlas Copco Industrial Technique AB**, S-105 23 SZTOKHOLM, SZWECJA, oświadcza, że produkt (którego nazwa, typ i numer seryjny znajdują się na stronie tytułowej) spełnia wymagania następującej dyrektywy (dyrektyw):

**2006/42/EC**

Zastosowane normy zharmonizowane:

**ISO 11148-4**

Dokumentację techniczną udostępnia:

Kierownik ds. jakości, Atlas Copco Industrial Technique, Sztokholm, Szwecja

Sztokholm, 1 lipca 2013 r.

**Tobias Hahn, Dyrektor zarządzający**

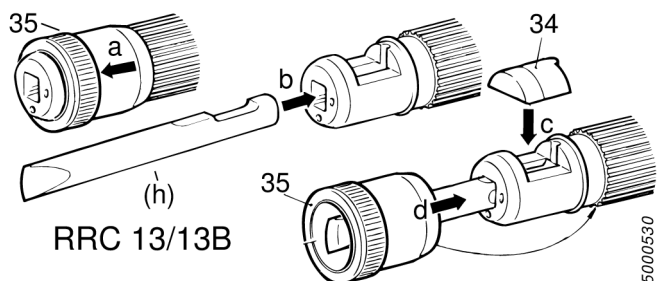


Podpis osoby zatwierdzającej

## Instalacja

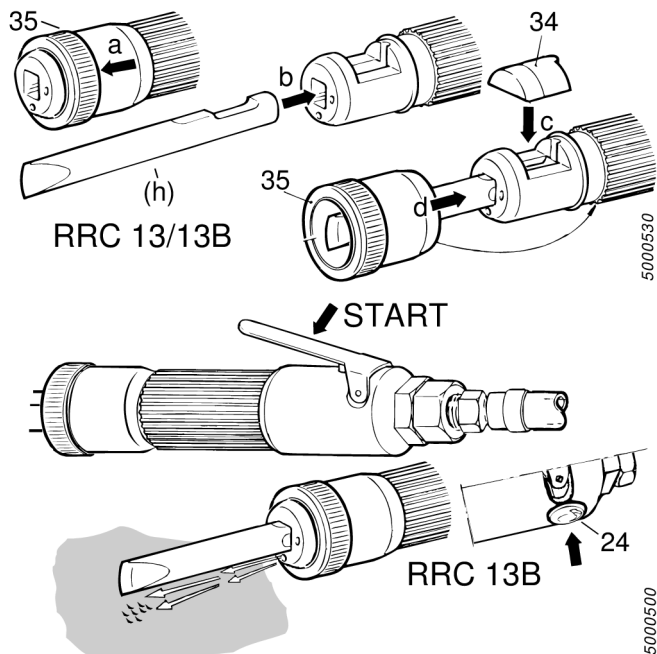
### Instalacja

#### RRC 13

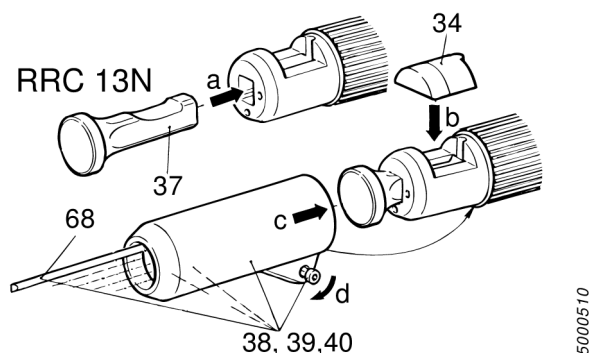


- Zainstaluj dłuto (h), patrz rysunek.

#### RRC 13B



- Zainstaluj dłuto (h), patrz rysunek.

**RRC 13N**

- Zainstaluj zestaw igieł (j; 68), patrz rysunek.  
Zawsze używaj kompletnego zestawu igieł o tej samej długości, by mieć pewność, że zostanie wykorzystana pełna wydajność narzędzia/

**Jakość powietrza**

- Dla uzyskania optymalnej wydajności i maksymalnej żywotności urządzenia zaleca się używanie sprężonego powietrza, dla którego punkt rosy wynosi maksymalnie +10°C. Zaleca się instalację chłodniczego osuszacza powietrza firmy Atlas Copco.
- Użycie osobnego filtra powietrza typu Atlas Copco FIL spowoduje usunięcie cząstek stałych większych niż 15 mikrometrów oraz ponad 90% wody; filtr należy zainstalować jak najbliżej urządzenia, przed innymi urządzeniami do przygotowania powietrza, takimi jak REG lub DIM (więcej informacji zawiera punkt dotyczący akcesoriów pneumatycznych w katalogu głównym). Przed podłączeniem przewód należy przedmuchać.

**Modele wymagające smarowania pneumatycznego:**

- Sprężone powietrze musi zawierać niewielką ilość oleju. Zdecydowanie zalecamy zainstalowanie smarownicy olejowej (mgła olejowa) DIM firmy Atlas Copco. Należy ją ustawić stosownie do zużycia powietrza przez narzędzie pneumatyczne, zgodnie z poniższym wzorem:

$L$  = zużycie powietrza (l/s).

(Nastawy zawiera nasza dokumentacja sprzedażowa.)

$D$  = liczba kropeł na minutę (1 kropla = 15 mm<sup>3</sup>)

$L * 0,2 = D$

przy zużyciu powietrza dla narzędzi pneumatycznych o długim cyklu pracy, lub smarownicę punktową typu Dosol firmy Atlas Copco dla narzędzi o krótkim cyklu pracy.

Nastawy dla smarownicy typu Dosol zawiera punkt dot. akcesoriów pneumatycznych w katalogu głównym.

**Modele niewymagające smarowania:**

- W przypadku narzędzi niewymagających smarowania w opcji wybranej przez klienta, niewielka ilość oleju ze smarownicy DIM lub Dosol w sprężonym powietrzu nie wpływa niekorzystnie na ich działanie.  
**Uwaga** - Wyjątek stanowią urządzenia turbinowe, które nie powinny być zasilane mgłą olejową.

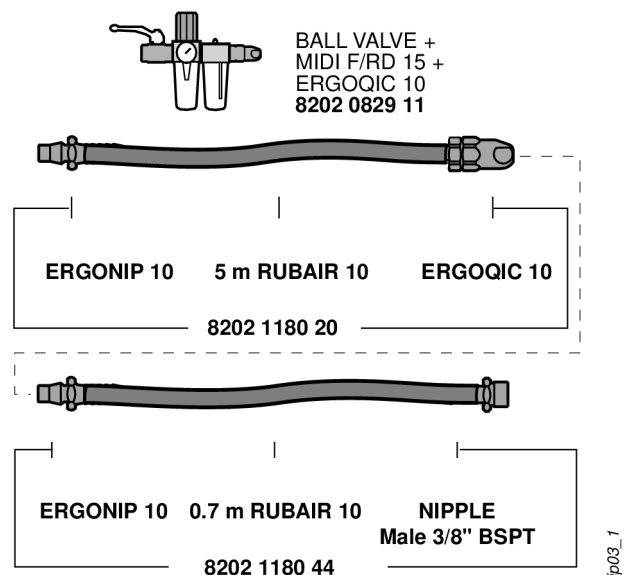
**Złącza sprężonego powietrza**

- Ciśnienie robocze (e) maszyny to 6–7 bar = 600–700 kPa = 87–102 psi.

- Przed podłączeniem przewód należy przedmuchać.

## Propozycja instalacji

Wybór odpowiednich złączy, przewodów i obejm może być kłopotliwy ze względu na dużą ilość szczegółów. Aby zaoszczędzić czas i zapewnić właściwą wydajność instalacji pneumatycznej, przedstawiamy propozycję instalacji, obejmującą proces od wyboru miejsca, po wybór narzędzia.



Więcej informacji można uzyskać w katalogu Przemysłowe Narzędzia Mechaniczne, firmy Atlas Copco, numer katalogowy 9837 3000 01.

## Konserwacja

### Smarowanie

Narzędzie powinno być smarowane z użyciem ok. 10 kropli oleju na zmianę roboczą. Olej można wpuścić albo do przewodu sprężonego powietrza, albo bezpośrednio przez adapter (16). Jeżeli narzędzie jest stale używane, zaleca się zainstalowanie w przewodzie sprężonego powietrza smarownicy olejowej (mgła olejowa) firmy Atlas Copco.

Należy używać smarów wysokiej jakości. W tabeli smarów podano przykładowe zalecane oleje.

### Instrukcje dot. smarów

| Marka    | Smar                 | Smarowania powietrza |
|----------|----------------------|----------------------|
| BP       | Energrease LS-EP2    | Energol E46          |
| Esso     | Beacon EP2           | Arox EP46            |
| Q8       | Rembrandt EP2        | Chopin 46            |
| Mobil    | Mobilegrease XHP 222 | Almo Oil 525         |
| Shell    | Alvania EP2          | Torcula 32           |
| Texaco   | Multifak EP2         | Aries 32             |
| Molycote | BR2 Plus             |                      |

## Naprawa

Jeżeli narzędzie eksploatowane jest codziennie, naprawy i czyszczenie należy przeprowadzać raz na sześć miesięcy.

Filtr siatkowy w adapterze (16) należy regularnie czyścić, by zapobiegać zaphaniu, co skutkuje spadkiem mocy.

## Przydatne informacje



Zaloguj się na stronie firmy Atlas Copco: [www.atlascopco.com](http://www.atlascopco.com)

Na naszej stronie WWW można znaleźć informacje dotyczące naszych produktów, akcesoriów, części zamiennych i publikacji.

## Wytyczne ergonomiczne

Podczas czytania zamieszczonej poniżej listy ogólnych wytycznych dotyczących ergonomii miejsca pracy zastanów się nad swoją stacją roboczą i pomyśl, czy możesz określić obszary umożliwiające wprowadzenie ulepszeń dotyczących pozycji operatora, rozmieszczenia podzespołów lub środowiska roboczego.

- Rób częste przerwy i często zmieniaj pozycje robocze.
- Dostosuj obszar stanowiska pracy do swoich potrzeby i wykonywanego zadania.
  - Należy uwzględnić wygodne rozmieszczenie części lub narzędzi w zasięgu ręki, aby uniknąć występowania obciążeń statycznych.
  - Używaj wyposażenia stanowiska roboczego, takiego jak stoły i krzesła, dostosowanego do wykonywanego zadania.
- Unikaj pozycji roboczych powyżej poziomu ramion lub pozycji wymagających statycznego trzymania podczas operacji montażowych.
  - W przypadku wykonywania pracy powyżej poziomu ramion ograniczaj obciążenie statyczne mięśnie, redukując ciężar narzędzia przez zastosowanie na przykład dźwigni reakcyjnych, bębnow do nawijania węży lub przeciwwag. Możesz również zmniejszyć statyczne obciążenie mięśni, trzymając narzędzie blisko ciała.
  - Pamiętaj o robieniu częstych przerw.
  - Unikaj przyjmowania ekstremalnych pozycji ręki lub nadgarstka, szczególnie w przypadku wykonywania operacji wymagających stosowania siły.
- Uwzględnij dogodne pole widzenia, ograniczając do minimum ruchy oczu i głowy podczas wykonywania wyznaczonego zadania.
- Stosuj oświetlenie odpowiednie do wykonywanego zadania.
- Wybieraj narzędzie odpowiednie do wykonywanego zadania.
- W środowisku o wysokim natężeniu hałasu stosuj środki ochrony słuchu.
- Należy używać wysokiej jakości wkładek narzędziowych lub materiałów eksploatacyjnych, aby ograniczyć do minimum poziomy wibracji.
- Ograniczaj do minimum stopień narażenia na siły reakcji.
  - Podczas cięcia:

Tarcza do cięcia może zostać zablokowana, jeśli zostanie wygięta lub jeśli nie będzie prawidłowo prowadzona. Należy używać właściwych kołnierzy mocujących tarcze tnące i unikać wyginania tarczy podczas operacji cięcia.

- Podczas wiercenia:

Wiertarka może utknąć, gdy wiertło przejdzie na wylot. Należy używać uchwytów pomocniczych, jeśli moment utyku jest zbyt wysoki. Norma bezpieczeństwa ISO11148, część 3, zaleca używanie urządzeń amortyzujących moment reakcyjny o wartości powyżej 10 Nm w przypadku narzędzi z uchwytem pistoletowym oraz powyżej 4 Nm w przypadku narzędzi z uchwytem prostym.

- W przypadku używania wkrętek do śrub lub nakrętek z napędem bezpośrednim:

Siły reakcji zależą od nastawy narzędzia i właściwości połączenia. Zdolność do wytrzymywania działania sił reakcji zależy od siły i postawy operatora. Należy dostosowywać nastawę momentu do siły i postawy operatora oraz używać dźwigni reakcyjnej lub drążka reakcyjnego, jeśli moment jest zbyt wysoki.

- W środowiskach o dużym zapyleniu należy stosować układ odpylający lub maskę przeciwpyłową.

## Kraj pochodzenia

Patrz informacje podane na etykiecie produktu.

## Części zamienne

Ze względów technicznych części bez numerów katalogowych nie są dostarczane osobno.

Użycie części innych niż oryginalne części zamienne firmy Atlas Copco może spowodować zmniejszenie wydajności narzędzia i konieczność wykonywania większej liczby czynności obsługowych, a także, w przypadku firm, może doprowadzić do utraty wszelkich gwarancji.

## Gwarancja

W celu zgłoszenia reklamacji produktu należy skontaktować się z lokalnym przedstawicielem firmy Atlas Copco. Gwarancja zostanie uwzględniona tylko w przypadku, gdy produkt był zmontowany, obsługiwany i naprawiany zgodnie z jego instrukcją obsługi.

Prosimy również zapoznać się z warunkami dostawy przyjętymi w lokalnym oddziale firmy Atlas Copco.

## ServAid

ServAid jest aplikacją przeznaczoną do uzyskiwania zaktualizowanych informacji o produkcie, dotyczących:

- instrukcji bezpieczeństwa
- instalowania, obsługi oraz instrukcji serwisowych
- rysunków złożeniowych

Aplikacja ServAid ułatwia przeprowadzanie procesu zamawiania części zamiennych, narzędzi serwisowych i akcesoriów przeznaczonych dla wybranego produktu. Jest ona ciągle aktualizowana informacjami dotyczącymi nowych i przeprojektowanych produktów.

Aplikacji ServAid można używać do prezentowania treści w określonym języku, o ile dostępne są tłumaczenia, oraz do wyświetlania informacji o produktach przestarzałych. Aplikacja ServAid oferuje funkcję zaawansowanego wyszukiwania całego asortymentu produktów.

Aplikacja ServAid jest dostępna na płycie DVD oraz w Internecie pod adresem:

<http://servaidweb.atlascopco.com>

W celu uzyskania dalszych informacji należy skontaktować się z lokalnym przedstawicielem firmy Atlas Copco lub wysłać e-mail na adres:

[servaid.support@se.atlascopco.com](mailto:servaid.support@se.atlascopco.com)

### **Karty charakterystyki substancji niebezpiecznych MSDS/SDS**

Karty charakterystyki substancji niebezpiecznych opisują produkty chemiczne sprzedawane przez firmę Atlas Copco.

Więcej informacji można znaleźć na stronie

<http://www.atlascopco.com/>.

Wybierz kolejno **Products** — **Safety Data Sheets** (Produkty — Karty charakterystyki substancji niebezpiecznych) i postępuj zgodnie z instrukcjami wyświetlanymi na tej stronie.

## Dane techniczne

### Dane techniczne

#### Emisja hałasu i wibracji

| Hałas (zgodnie z normą ISO15744) | dBA |
|----------------------------------|-----|
| Poziom ciśnienia akustycznego    | 91  |
| Poziom mocy akustycznej          | 102 |
| Niepewność pomiaru               | 3   |

#### Całkowita wartość drgań, obowiązująca od 2010 roku

| (wartość 3-osiowa, zgodnie z normą ISO28927-9) | m/s <sup>2</sup>            |
|--|-----------------------------|
| Wielkość drgań                                 | 11.5(13) 11.5(13B) 8.1(13N) |
| Niepewność pomiaru                             | 2.7(13) 2.7(13B) 1.8(13N)   |

#### Oświadczenie o poziomie hałasu i drgań

Przedstawione wartości uzyskano w oparciu o badania przeprowadzone w warunkach laboratoryjnych, zgodnie z wymienionymi normami; mogą one być porównywane z deklarowanymi wartościami innych narzędzi przebadanymi zgodnie z tymi samymi normami. Przedstawione wartości nie powinny służyć do oceny zagrożenia, a wartości zmierzone w danym miejscu pracy mogą być wyższe. Wartość rzeczywistego działania szkodliwych czynników oraz ryzyko odniesienia obrażeń jest kwestią indywidualną i zależną od sposobu pracy danej osoby, narzędzi, stanowiska pracy oraz stanu zdrowia.

Firma **Atlas Copco Industrial Technique AB** nie może ponosić odpowiedzialności za skutki stosowania deklarowanych wartości, zamiast wartości odzwierciedlających rzeczywiste narażenie na hałas i drgania, w przypadku indywidualnej oceny zagrożeń występujących w konkretnej sytuacji w miejscu pracy, nad którą firma Atlas Copco Industrial Technique AB nie sprawuje kontroli.

W przypadku niewłaściwego użytkowania, narzędzie może powodować syndrom drgań przekazywanych na kończyny górne (ang. hand-arm vibration). Informator Rady Unii Europejskiej dotyczący zarządzania wibracjami przenoszonymi na ręce operatora można znaleźć po przejściu na stronę internetową <http://www.pneurop.eu/index.php> i wybraniu opcji „Tools” (Narzędzia), a następnie „Legislation” (Ustawodawstwo).

Zalecamy przeprowadzanie badań okresowych, mających na celu wykrycie objawów związanych z działaniem drgań, aby umożliwić zmianę procedur i zapobiec dalszemu pogorszeniu stanu zdrowia.





## Kezelési utasítás

### Biztonsági előírások

#### Fontos információk az ütőszerszámok biztonságosabb használatához

A gépkezelői utasításokra vonatkozóan ez a kézikönyv az EK „Gépek biztonsága” (2006/42/EK) irányelv előírásait követi, valamint a CEN TC 255 „Gépi meghajtású, nem elektromos kéziszerszámok – Biztonsági szabványok” vonatkozó részeit. Ezek az utasítások a gép és a beillesztett szerszámok és berendezések működtetésére, kezelésére és karbantartására vonatkoznak.

Ezeknek a hosszú ideje megalapozódott ajánlásoknak a be nem tartása komoly veszélyt jelenthet.

Bizonyosodjon meg arról, hogy a kezelő teljesen megértette az alábbi ajánlásokat és azok teljes mértékben rendelkezésére állnak.

△

nagyon ügyeljen arra, hogy a kezelő megtegye a szükséges lépéseket a nem megfelelő használat és balesetek kockázatának elkerülése érdekében.

### Telepítés

A levegő előkészítéséhez kövesse a képhez tartozó írásos utasításokat.

Amikor kenés szükséges – kizárólag az ajánlott kenőanyagokat használja.

Ellenőrizze a tömlő méretét és a légnyomást.

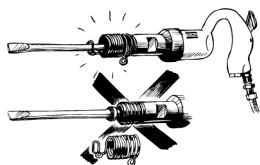
Kerülje az elszabadult tömlők kockázatát – rendszeresen ellenőrizze a tömlőt, a tömlőszerelvényeket és a tartóbilincsek állapotát.

Ellenőrizze, hogy a kifújt levegő úgy van elvezetve, hogy nem fúj port vagy levegőt a munkadarabról a kezelőre vagy más személyekre. Lehetőség szerint állítson fel védőkorlátokat.

Szükség esetén használjon kiömlő tömlőt, és gondoskodjon porgyűjtőről.

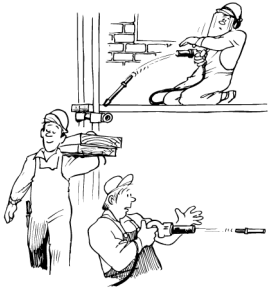
### A gép használata közben kerülje a baleseteket

**1 A véső, a matrica vagy tűske kieshet vagy véletlenül kilövődhet a szerszámból, és súlyos balesetet okozhat**



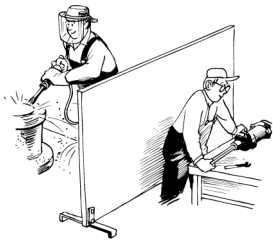
**A kiszabadult véső okozta balesetek elkerülése:**

- mindig használjon rögzítőelemet
- rendszeresen ellenőrizze, hogy a rögzítő kopott vagy sérült-e

**valamint:**

- ne feledje, hogy használat közben a véső anyagfáradtság miatt eltörhet
- soha ne indítsa be úgy a gépet, hogy nem tartja oda egy munkadarabhoz
- munka után távolítsa el a vésőt, matricát és tuskét
- a kiegészítők, a véső vagy a matrica cseréje előtt válassza le a gépet a légforrásról
- engedje ki az indító és megállító eszközt, ha az energiaellátás megszakad
- a munka befejezése után válassza le a gépet a légforrásáról

**2 Meg kell akadályozni, hogy a forgácsok és szikrák a szembe vagy más munkavégző személyre pattanjanak**

**A látásvesztés elkerülése érdekében:**

- mindig viseljen szemvédőt
- az ilyen jellegű munkákat mindig különítse el úgy, hogy paravánt állít az egyes munkaállomások közé
- ne használja a gépet a rendeltetésétől eltérő feladatra

**3 A testi sérülések megelőzésére használjon:**

- kesztyűt
- védőcipőt
- sisakot
- mindig viseljen szemvédőt

**4 A robbanásveszélyes környezetet tilos begyűjtani**

**A tűz okozta sérülések és károk megakadályozásához:**

- használjon más technológiát

- használjon nem szikrázó anyagokat (pl. berilliumrész tűt a tűkalapáchoz)

### **5 Az elektromos áramütés végzetes lehet**

- kerülje, hogy a vésővel megsértse a falban futó elektromos vezetékeket stb.

## **A gép használatával összefüggő hosszú távú kockázatok**

### **6 Mindig használjon fülvédőt**



A magas zajszintnek való kitettség okozta fokozatos halláskárosodás elkerülésére:

- viseljen fülvédőt

### **7 A rezgés káros lehet a kézre és karra**



- lehetőség szerint használjon rezgéscsillapítóval ellátott szerszámokat
- csökkentse a rezgésnek való kitettség idejét, különösen ha a gépkezelőnek kézzel kell irányítania a vésőt

### **8 A működés közben keletkező por káros lehet**

- használjon helyi elszívót vagy légzőkészüléket

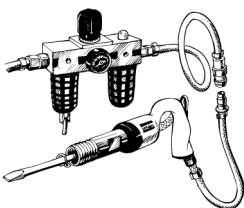
## **Megfelelő használat és karbantartás**

### **9 Ne végezzen üres ütések a kalapáccsal**



- ez nagy belső terhelést okoz, és csökkenti a szerszám élettartamát
- ne feledkezzen meg a véső, matrica vagy tű kilövődésének kockázatáról, ha a tokmány állapota nem megfelelő

### **10 Gyorscsatlakozó**



- gyorscsatlakozó használata estén (0,5 m hosszú) ostortömlőt kell tenni a szerszám és a hálózat közé

## 11 Karbantartás

A megfelelő üzemidő és a biztonságos működés kizárólag akkor biztosított, ha a kenésre, karbantartásra és a géppel kapcsolatos nagyjavításra vonatkozó utasításokat betartják.

**Csak eredeti Atlas Copco cserekeszleteket és pótalkatrészeket használjon..**

### Figyelmeztetés

A gép használata előtt sajátítsa el a kezelési útmutatóban leírtakat és győződjön meg róla, hogy tudja kezelni a gépet.

Ezt a gépet, annak kiegészítő elemeit és tartozékait kizárólag olyan célra szabad használni, melyre tervezték.

- Általános forgácsolási és hántási munkák, öntvények megmunkálása öntőműhelyben, furatkészítés és könnyű bontási munkálatok, az építőiparban (**szegezéshez csak megfelelő kiegészítőkkel**).

**RRC 13N** – hegesztési salak, rozsdás és festék eltávolításához acélszerkezetekről.

A termékgarancia megőrzése érdekében, illetve biztonsági okokból a gépen, tartozékain és alkatrészein végzendő bármilyen változtatást egyeztetni kell a gyártó hivatalos műszaki szakemberével.

### RRC 13B

- Amikor a szerszámot működteti a munkadarab megtisztításához – közvetlen légkivezetés a gépkezelő és segéddek segítségével.

## Általános információk

### EU MEGFELELŐSÉGI NYILATKOZAT

We, **Atlas Copco Industrial Technique AB**, S-105 23 STOCKHOLM, SVÉDORSZÁG teljes felelősségünk tudatában kijelentjük, hogy a termék, (a típust és termékszámot lásd az első oldalon) amelyre jelen nyilatkozat vonatkozik, megfelel a következő direktíváknak:

**2006/42/EC**

Alkalmazott harmonizált szabványok:

**ISO 11148-4**

A műszaki leírást tartalmazó fájl itt elérhető:

Minőségügyi vezető, Atlas Copco Industrial Technique AB, Stockholm, Svédország.

Stockholm, 2013. július 1.

**Tobias Hahn, ügyvezető igazgató**

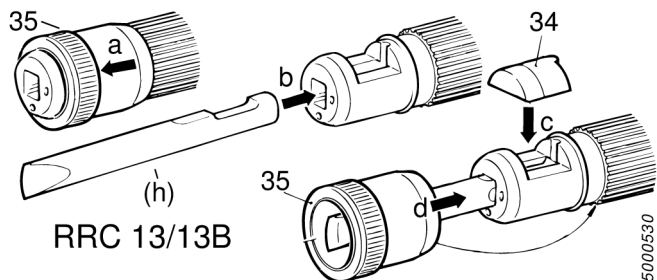


A kiadó aláírása

## Telepítés

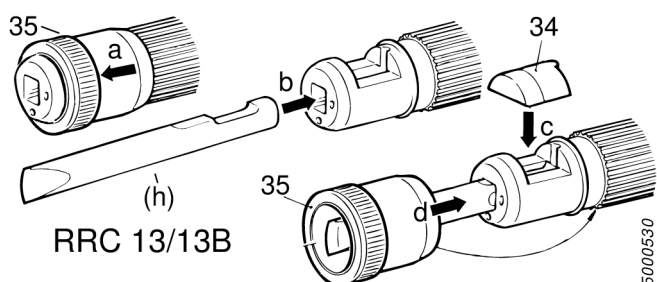
### Telepítés

#### RRC 13

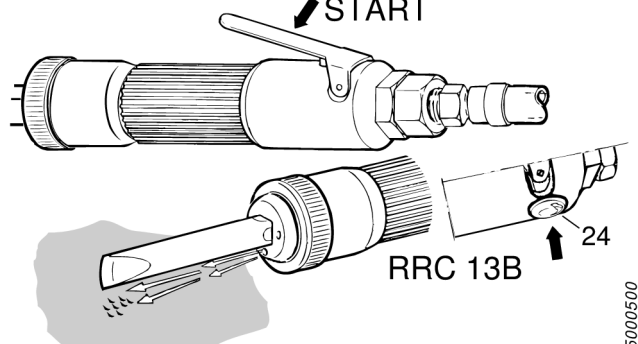


- Ék (h) beszerelése, lásd az ábrán.

#### RRC 13B

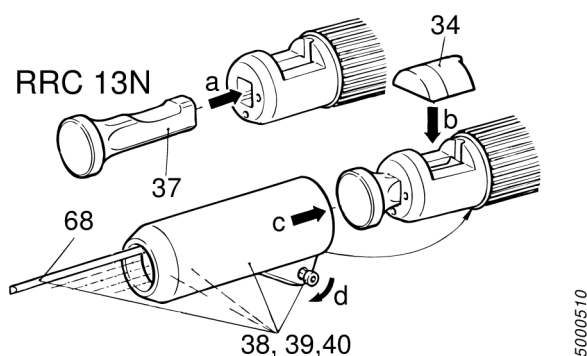


START



- Ék (h) beszerelése, lásd az ábrán.

#### RRC 13N



- Szerelje fel a tűkészletet (j; 68), lásd az ábrán.  
Kizárólag teljes tűkészletet használjon, azonos hosszúságú tűkkel, hogy a gép teljes teljesítményét ki tudja használni.

## Levegőminőség

- Az eszköz optimális teljesítménye és maximális élettartama érdekében ajánljuk, hogy maximum +10 °C harmatpontú sűrített levegőt használjon. Egy Atlas Copco hűtveszárító beszerelése is ajánlott.
- Atlas Copco FIL típusú külön légszűrőt alkalmazzon, ami kiszűri a 15 mikronnál nagyobb szilárd részecskéket és a folyadék 90%-át. A szűrőt a géphez a lehető legközelebb kell felszerelni, minden egyéb levegő-előkészítő egység – mint például REG vagy DIM – elé (lásd a Sűrítettlevegő-vezeték kiegészítők cím alatt a fő katalógusunkban). Csatlakoztatás előtt a tömlőt ki kell fűvteni.

## Levegőkenést igénylő modellek:

- A sűrített levegőnek kis mennyiségű olajat kell tartalmaznia. Nyomatékosan javasoljuk egy Atlas Copco típusú olajködkenő (DIM) telepítését. Ennek beállítását a sűrített levegővel működő szerszámok levegőfogyasztása szerint kell beállítani, a következő képlet alapján:

**L** = Levegőfogyasztás (liter/mp).

(Értéket lásd a termékleírásainkban).

**D** = Percenkénti cseppek száma (1 csepp = 15 mm<sup>3</sup>)

**L \* 0.2 = D**

Fentiek a hosszú ciklusú szerszámokra vonatkoznak. Rövid ciklusú szerszámokhoz Atlas Copco Dosol típusú egyponos kenő használható.

A Dosol beállításait lásd a Sűrítettlevegővezeték-kiegészítők cím alatt a fő katalógusunkban.

## Kenésmentes modellek:

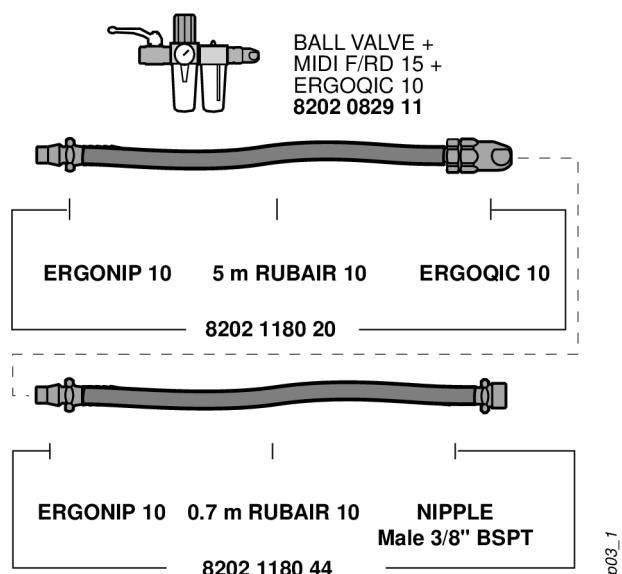
- A kenésmentes szerszámok esetében a használt végponti berendezések kiválasztása a vevő mérlegelése alapján történhet. A vevő számára semmilyen hátránnyal nem jár, ha a sűrített levegő olyan kis mennyiségű olajt tartalmaz, mint amit a DIM vagy a Dosol biztosít. Kivételt képeznek a turbinás szerszámok, amelyeknek olajmentesnek kell maradniuk.

## Sűrített levegő csatlakozás

- A gép 6–7 bar = 600–700 kPa = 87–102 psi üzemi nyomásra van kialakítva.
- Csatlakoztatás előtt fűvassa ki a tömlőt.

## Felszerelési tanács

A megfelelő csatlakozók, tömlő és tartóbilincsek kiválasztásához alaposan utána kell járni a részleteknek. A megfelelő kapacitású sűrítettlevegő-vezeték kiválasztásához időtakarékos megoldást nyújt a felszerelési javaslat, a csaptól a szerszámig.



További információkért, kérjük, tanulmányozza az Atlas Copco ipari kéziszer-  
számok katalógust, megrendelési szám 9837 3000 01.

## Karbantartás

### Kenés

A szerszámot körülbelül 10 cseppolajjal kell megkenni, minden műszakban. Az  
olajat a légtömlőbe vagy egyenesen az adapterbe (16) lehet becseppenteni. Ha a  
szerszámot folyamatosan használják, javasolt telepíteni egy Atlas Copco ködke-  
nőt a sűrítettlevegő-járatra.

Kizárólag minőségi kenőanyagokat használjon. A kenési táblázatban felsorolt  
kenőanyagok és olajok példák az ajánlott kenőanyagokra.

### Zsírokra vonatkozó útmutató

| Márka    | Kenőanyag            | Air kenés    |
|----------|----------------------|--------------|
| BP       | Energrease LS-EP2    | Energol E46  |
| Esso     | Beacon EP2           | Arox EP46    |
| Q8       | Rembrandt EP2        | Chopin 46    |
| Mobil    | Mobilegrease XHP 222 | Almo Oil 525 |
| Shell    | Alvania EP2          | Torcula 32   |
| Texaco   | Multifak EP2         | Aries 32     |
| Molycote | BR2 Plus             |              |

### Nagyjavítás

Ha a szerszámot minden nap használja, félévente nagyjavítást és tisztítást kell  
végezni rajta.

Az adapter (16) szűrőt rendszeresen ki kell tisztítani, ezzel megelőzve a lefoj-  
tást, illetve az ebből eredő teljesítmény-csökkenést.

### Hasznos információk





A [www.atlascopco.com](http://www.atlascopco.com) címen jelentkezzen be az Atlas Copco weboldalra.

A termékeinkre, tartozékainkra, pótalkatrészeinkre és közzétett anyagainkra vonatkozó tudnivalókat találhat a webhelyünkön.

## Ergonómiai útmutatások

Az általános ergonómiai útmutatások elolvasása során vizsgálja meg a saját munkaállomását és ellenőrizze, hogy miben lenne javítható a testtartás, az elemek elhelyezése vagy a munkakörnyezet.

- Tartson gyakran szünetet, és gyakran változtassa meg a munkavégzési helyzetét.
- Igényeihez és a feladhoz igazítsa a munkahely területét.
  - A statikus túlterhelés elkerülése érdekében állítsa be a megfelelő távolságot az alkatrészek és szerszámok elhelyezésétől függően.
  - A feladatnak megfelelően használja az olyan munkahelyi eszközöket, mint asztal és székek.
- Kerülje a váll feletti munkavégzési helyzeteket vagy a folyamatos tartást a szerelési műveletek során.
  - Ha váll felett végez munkát, akkor nyomatékkarok, tömlőcsévék vagy súlykiegyenlítők használatával csökkentse a szerszám súlyát a sztatikusan igénybe vett izmokra jutó terhelés csökkentése érdekében. A szerszámnak a testhez közeli tartásával is csökkentheti a sztatikusan igénybe vett izmok terhelését.
  - Gondoskodjon gyakori szünetek tartásáról.
  - Kerülje a szélsőséges kéz és csukló helyzeteket, különösen erőkifejtést igénylő műveleteknél.
- Kényelmes látómezőt állítson be a munkavégzés közbeni szem- és fejmozgás minimalizálása érdekében.
- A feladatnak megfelelő világítást használjon.
- A feladatnak megfelelő szerszámot válasszon ki.
- Használjon fülvédőt zajos környezetben.
- A túlzott rezgés elkerülése érdekében csak kiváló minőségű behelyezett kiegészítőket vagy fogyóeszközöket használjon.
- Minimalizálja az ellenerőnek való kitettséget.
  - Vágáskor:

A vágókorong beakadhat, ha a korong elhajlott vagy nincs megfelelően elvezetve. A vágókorongokhoz mindig a megfelelő peremeket használja és kerülje a korong elhajlítását vágás közben.
  - Fúráskor:

A fúró megakadhat amikor a fúrófej beszakítja a felületet. Magas nyomaték esetén használjon támasztó fogantyúkat. Az ISO11148 biztonsági szabvány 3. része az ütvefúró szerszámokhoz 10 Nm fölött, az egyenes szerszámokhoz 4 Nm reakciós nyomaték fölött a nyomatékot felfogó segédeszköz használatát ajánlja.
- Közvetlen meghajtású csavar- vagy anyabehajtók:

A reakciós erők mértéke a szerszámgép beállításától és az összekötők karakterisztikájától függ. A reakciós erők biztonságos kezelése a gépkezelő erején és testhelyzetén múlik. Állítsa a nyomaték beállítást a szerszám működtetőjének erejéhez és pozíciójához és ha a nyomaték túl magas, használjon nyomatékkart vagy reakciós rudat.

- Használjon porelszívó rendszert vagy szájvédő maszkot poros környezetekben.

## Származási ország

Kérjük, hogy típusablát nézze meg.

## Tartozékok

A megrendelési számmal nem rendelkező tartozékokat technikai okokból önállóan nem szállítjuk.

Az eredeti Atlas Copco gyártmányon kívül bármely más pótalkatrész használata ronthatja a szerszám működését és növelheti a karbantartási szükségletet, és a vállalat szabályzatától függően érvényteleníthet minden garanciát.

## Jótállás

Termék igényléséhez lépjen kapcsolatba területi Atlas Copco üzletkötőjével. A jótállás csak akkor érvényes, ha a termék telepítése, működtetése és nagyjavítása az eszközzel együtt szállított kezelési utasításnak megfelelően történik.

Kérjük, tekintse meg még a helyi Atlas Copco cég saját szállítási feltételeit is.

## ServAid

A ServAid segédprogram a következő termékinformációk frissítésére szolgál:

- Biztonsági előírások
- Beszerelési, üzemelési és szerviz útmutató
- Robbantott rajzok

A ServAid segítséget nyújt a cserealkatrészek, szerviz szerszámok és kiegészítők megrendelését a termékéhez. Az adatbázist folyamatosan frissítjük az új és frissített termékek információival.

A ServAid segítségével az adatokat más nyelveken is megtekintheti, amennyiben a fordítás rendelkezésre áll, és korábbi termékek információit is megjelenítheti. A ServAid részletes keresési funkciójával a teljes termékválasztékban kereshet.

A ServAid DVD lemezen és online is elérhető:

<http://servaidweb.atlascopco.com>

További részletekért, lépjen kapcsolatba az Atlas Copco értékesítési képviselőjével vagy küldjön e-mailt a következő címre:

[servaid.support@se.atlascopco.com](mailto:servaid.support@se.atlascopco.com)

## Biztonsági adatlapok MSDS/SDS

A biztonsági adatlapok az Atlas Copco által értékesített vegyi termékek leírását tartalmazzák.

További információkért, lásd az

<http://www.atlascopco.com/>.

Válassza a **Products (termékek) - Safety Data Sheets (biztonsági adatlapok)** menüpontot és kövesse az utasításokat.

## Műszaki adatok

### Műszaki adatok

#### Zaj- és rezgés kibocsátás

| Zajszint (ISO15744 szabványnak megfelelően) | dBA |
|---|-----|
| Hangnyomás-szint                            | 91  |
| Hangerőszint                                | 102 |
| Eltérés                                     | 3   |

#### Vibráció összeadott értéke, érvényes 2010-től (3 tengelyes érték, a ISO28927-9 szabványnak megfelelően)

|               | m/s <sup>2</sup>            |
|---------------|-----------------------------|
| Rezgési érték | 11.5(13) 11.5(13B) 8.1(13N) |
| Eltérés       | 2.7(13) 2.7(13B) 1.8(13N)   |

#### Nyilatkozat zaj- és rezgés kibocsátásról

Ezen kinyilatkoztatott értékeket laboratóriumi típusvizsgálattal nyertük a megjelölt szabványokkal összhangban, és ezen értékek alkalmasak az összehasonlításra az egyéb olyan szerszámok kinyilatkoztatott értékeivel, amelyeket ugyanazon szabványok szerint vizsgáltak. Ezen kinyilatkoztatott értékek nem alkalmasak kockázatfelmérések céljaira, az egyedi munkahelyeken mért értékek magasabbak lehetnek. A tényleges terhelési értékek és az adott használatot erő sérülési kockázat egyedi mértékű, és függ attól, hogy a használó hogyan dolgozik, továbbá függ a munkadarabtól, a munkaállomás tervezésétől, valamint az igénybevételnek való kitettség időtartamától és a használó fizikai állapotától.

Az **Atlas Copco Industrial Technique AB** vállalat nem vonható felelősségre azokért az esetleges károkért, melyek abból származhatnak, hogy egy egyedi zajszint-kockázati felmérésnél az itt megadott értékeket veszik figyelembe, és nem az aktuális, az adott munkakörülményekre vonatkozó - és általunk nem ellenőrizhető - valós zajszintnek való kitettséget.

Ez a szerszám a kéz és a kar rezgését okozhatja nem megfelelő használatát esetén. A kéziszerszámok által okozott rezgésre vonatkozó EU útmutató a <http://www.pneurop.eu/index.php> oldalon a 'Tools' (Eszközök), majd 'Legislation' (Törvények) választásával érhető el.

Egészségfelmérési programot ajánlunk az olyan korai tünetek felismerésére, amelyek kapcsolatban állhatnak a rezgési terheléssel, hogy az eljárásokat módosítani lehessen a helyzet további romlásának megakadályozására.







Original Product Information

Traduction de l'information produit originale

Übersetzung der Original-Produktinformationen

Traducción de la información de producto original

Tradução das Informações do produto originais

Traduzione delle informazioni sul prodotto originali

Vertaling van oorspronkelijke productinformatie

Oversættelse af original produktinformation

Oversettelse av original produktinformasjon

Käännös alkuperäisistä tuoteselosteista

Översättning av ursprunglig produktinformation

Перевод исходной информации о продукции

Tłumaczenie oryginalnych Informacji o produkcie

Eredeti termékadatok fordítása

The logo for Atlas Copco, featuring the company name in a stylized, italicized font between two horizontal bars.

**Atlas Copco Industrial  
Technique AB**  
SE-10523 STOCKHOLM  
Sweden  
Telephone: +46 8 743 95 00  
Telefax: +46 8 644 90 45  
[www.atlascopco.com](http://www.atlascopco.com)

© Copyright 2012, Atlas Copco Industrial Technique AB. All rights reserved. Any unauthorized use or copying of the contents or part thereof is prohibited. This applies in particular to trademarks, model denominations, part numbers and drawings. Use only authorized parts. Any damage or malfunction caused by the use of unauthorized parts is not covered by Warranty or Product Liability.

Out of respect to wildlife and nature, our technical literature is printed on environmentally friendly paper.