

Dynapac CA3600PD

Single drum vibratory rollers



Technical data



Masses

Operating mass (incl. ROPS)	12300 kg
Operating mass (incl. Cab)	12500 kg
Module mass (front/rear)	7600 kg/4900 kg
Max. operating mass	13100 kg



Dimensions

Drum width	2130 mm
------------	---------



Traction

Speed range (Dual/TC/AS)	5/6/7/12 km/h
Vertical oscillation	±9°
Tyre size (8 ply)	23,1 x 26 TR
Theor. gradeability	57 %
Number of pads	130
Pad area	146 cm ²



Compaction

Nominal amplitude (high/low)	1.8 mm/1.0 mm
Vibration frequency (high/low amplitude)	30 Hz/30 Hz
Centrifugal force (high/low amplitude)	260 kN/150 kN



Engine

Manufacturer/Model	Deutz TCD6,1L06 (IIIB/4i)
Type	Water cooled turbo diesel
Rated power, ISO 14396	129 kW (173 hp) @ 2200 rpm
Fuel tank capacity	272 l



Hydraulic system

Driving	Hydrostatic
Vibration	Hydrostatic
Steering	Hydrostatic
Service brake	Hydrostatic in forward and reverse lever.
Parking/ Emergency brake	Failsafe multidisc brake in drum gear box and in rear axle.

Find us locally at www.dynapac.com

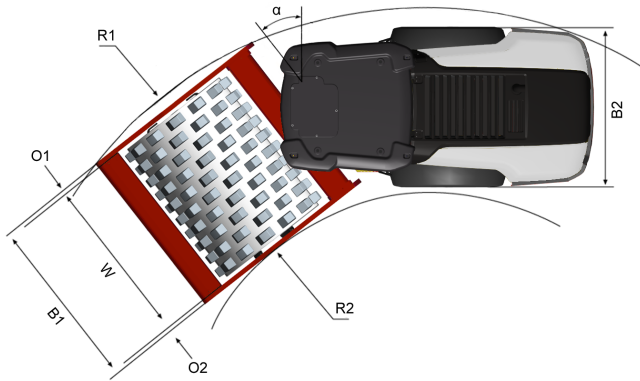
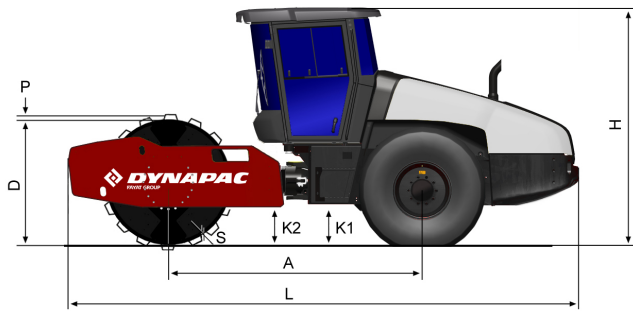
We reserve the right to change specifications without notice. Photos and illustrations do not always show standard versions of machines. The above information is a general description only, all informations are supplied without liability.

Dynapac CA3600PD

Single drum vibratory rollers



Technical data



Dimensions	
A. Wheelbase	3100 mm
B1. Width, front	2340 mm
B2. Width, rear	2130 mm
D. Drum diameter	1500 mm
H1. Height, with ROPS/cab	2970 mm
H2. Height, w/o ROPS/cab	2130 mm
K1. Ground clearance	450 mm
K2. Curb clearance	450 mm
L. Length	5990 mm
O1. Overhang, right	105 mm
O2. Overhang, left	105 mm
P. Pad height	102 mm
R1. Turning radius, outside	5600 mm
R2. Turning radius, inside	3300 mm
S. Drum shell thickness	25 mm
W. Drum width	2130 mm
α . Steering angle	$\pm 38^\circ$

Find us locally at www.dynapac.com

We reserve the right to change specifications without notice. Photos and illustrations do not always show standard versions of machines. The above information is a general description only, all informations are supplied without liability.